

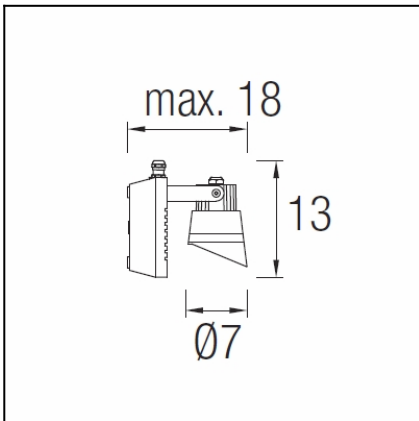
OUT 

HUBBLE
05-9647-Z5-37

Design by Francesc Vilaró



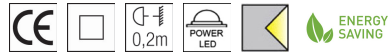
The photograph may not match the reference exactly. Please read the product description to identify the finish.



Download photometric file .ldt / .ies

TECHNICAL CHARACTERISTICS

Type:	Spotlight
Adjustable $\pm 90^\circ$ on the horizontal axis.	
Adjustable 360° on the vertical axis.	
IP Protection degrees:	IP65
IK Protection degrees:	IK06
Bulb:	3 x LED Cree. Neutral white - 4200K
Power (W):	9
Total power consumption (W):	9.2
Angle Óptiques:	40°
Voltage / Frequency:	100-240V/50-60Hz
Warranty (Years):	2
Option to extend the guarantee:	Yes, 5 years
Units per box:	6
Net Weight (Kg):	0.535
EAN:	8435381404574,00



MATERIALS / FINISHES

Structure material: High purity aluminium Polycarbonate	Diffuser material: Glass
Structure finish: Urban grey Urban grey	Diffuser finish: Transparent

GEAR

Multi-voltage electronic gear included (110-240 V / 50-60 Hz)

Report No.: 20130307002

Test Time: 2013-3-7 14:17

Luminaire Property

Luminaire Manufacturer: LEDS-C4
 Luminaire Category:
 Lamp Catalog:
 Number of Lamps: 3
 Luminous Length (mm): 33
 Luminous Height (mm): 10
 Current: 0.080 A
 Power Factor: 0.457

Luminaire Description: 05-9647
 Lamp Description: LED
 Lumens per Lamp: 162
 Luminous Width (mm): 33
 Voltage: 220.0 V
 Power: 8.10 W

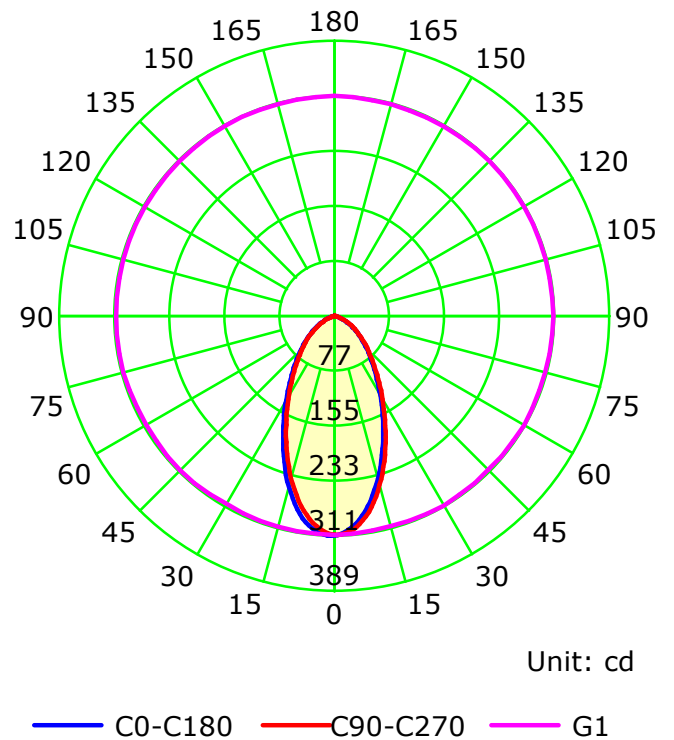
Photometric Results

CIE Class: Direct
 Measurement Flux: 344 lm
 Downward Ratio: 70.77%
 Horizontal Diffuse Angle(10%,50%): H116.2,H53.4
 Vertical Diffuse Angle(10%,50%): V115.9,V53.3
 Luminaire Efficacy Rating (LER): 42
 Max. Intensity: 311.99 cd

Total Rated Lamp Lumens: 486.0 lm
 Efficiency: 70.77%
 Upward Ratio: 0.00%
 Central Intensity: 311.63 cd
 Pos of Max. Intensity: H180 V1

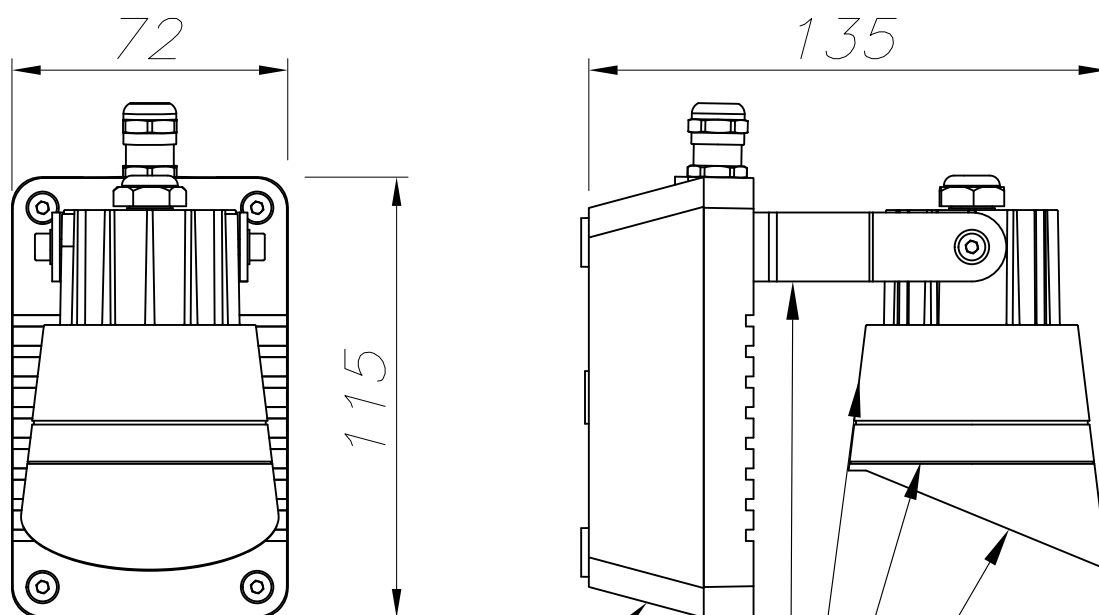
Picture Of Luminaire

Luminous Intensity Distribution Curve



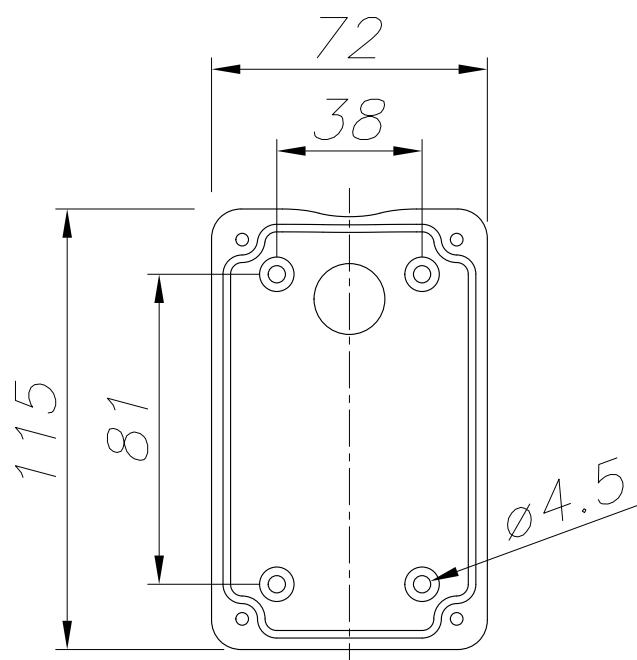
C Plane (°):0.0-360.0: 15.0
 Test Lab:
 Test Type: TYPE C
 Temperature:
 Operator:

Gamma Plane (°):0.0-90.0:1.0
 Test Device: GPM-1800B
 Distance: 3.150 m
 Humidity:
 Inspector:



POLICARBONATO PINTADO
PAINTED POLYCARBONATE

ALUMINIO DE ALTA PUREZA
HIGH QUALITY ALUMINIUM



PLANTILLA DE INSTALACIÓN
INSTALLATION TEMPLATE

