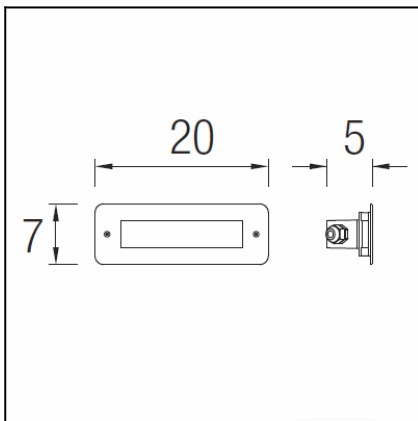




The photograph may not match the reference exactly. Please read the product description to identify the finish.



Download photometric file .ldt /.ies

### DESCRIPTION

Flush mounted into the wall. Body produced in AISI 316 stainless steel and diffuser made of prismatic polycarbonate. Light source uses 10 SMD neutral white 4.200K LED X 0,1W including 100-230V driver. Its design with wire outlets on both sides makes it particularly suitable for an array installation. Its hardwearing material and its high IP and IK rating (IP65, IK10) make it extremely weather resistant; with proper maintenance it is suitable for use in marine and coastal environments. Includes fitting box and warm filter to get 3.000K light.

### TECHNICAL CHARACTERISTICS

Type:	Downlight
IP Protection degrees:	IP65
IK Protection degrees:	IK10
Bulb:	10 x LED. Neutral white - 4200K
Power (W):	0.1
Total power consumption (W):	1.3
Voltage / Frequency:	100-240V/50-60Hz
Warranty (Years):	2
Option to extend the guarantee:	Yes, 5 years
Units per box:	8
Net Weight (Kg):	0.43
EAN:	8435381400118,00



### MATERIALS / FINISHES

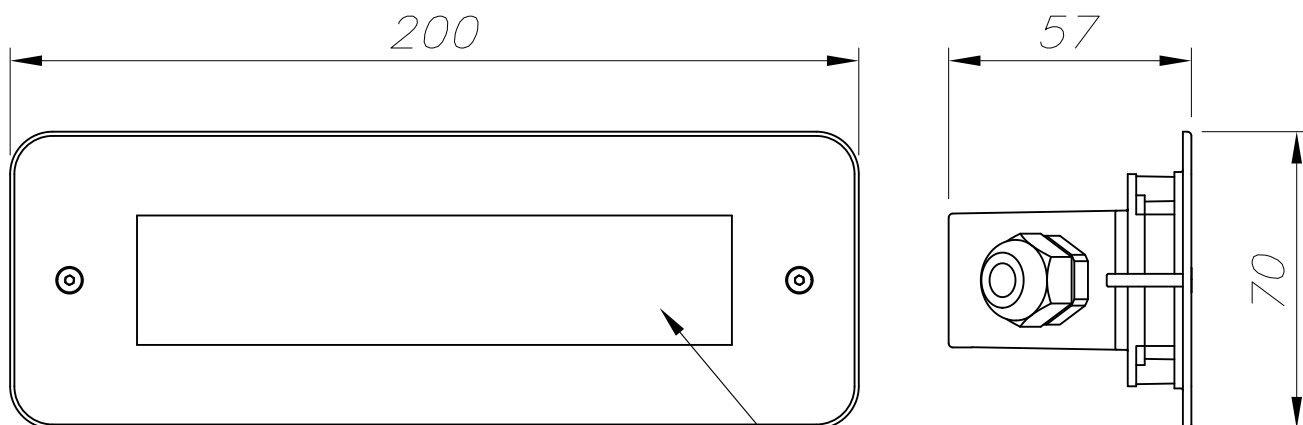
**Structure material:** Stainless steel  
AISI316  
Injected aluminium

**Diffuser material:** Polycarbonate

**Diffuser finish:** Transparent

### GEAR

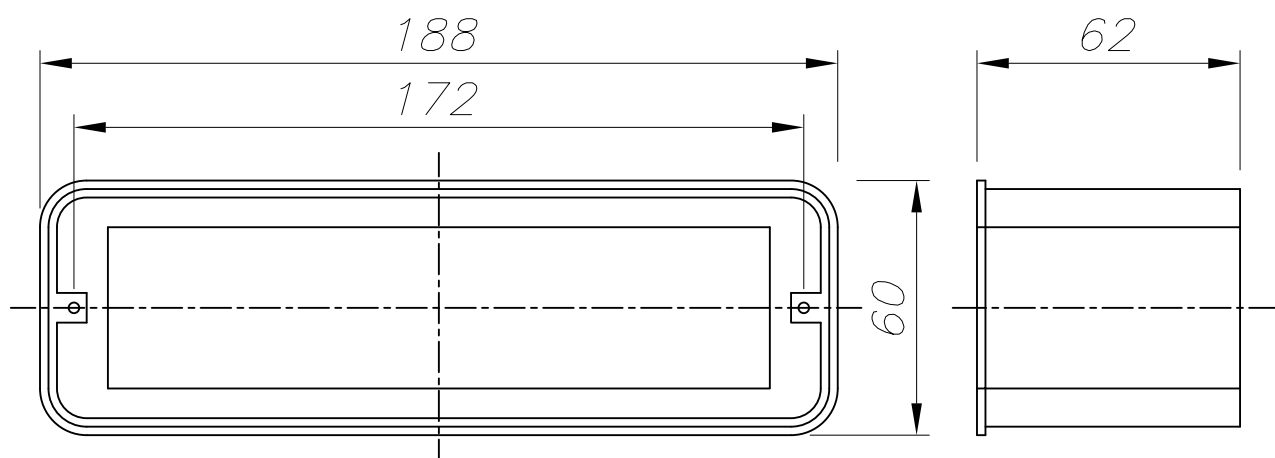
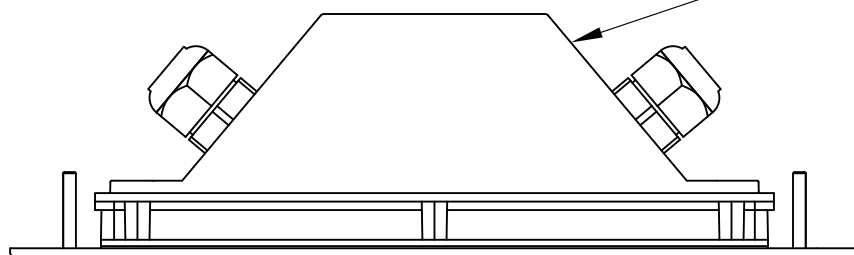
Multi-voltage electronic gear included (110-240 V / 50-60 Hz)



ACERO INOXIDABLE AISI 316  
STAINLESS STEEL AISI 316

PC TRANSPARENTE  
TRANSPARENT PC

ALUMINIO DE ALTA PUREZA  
HIGH QUALITY ALUMINIUM



CAJA DE EMPOTRAR  
FLUSH FITTING BOX

