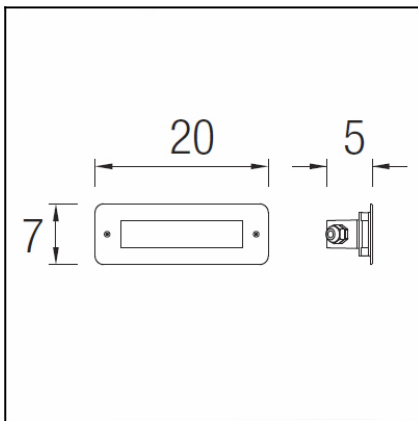




The photograph may not match the reference exactly. Please read the product description to identify the finish.



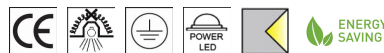
Download photometric file .ldt /.ies

DESCRIPTION

Flush mounted into the wall. Body produced in AISI 316 stainless steel and diffuser made of prismatic polycarbonate. Light source uses 3 CREE neutral white 4.200K LED X 1W including 100-240V EAGLE RISE driver. Its design with wire outlets on both sides makes it particularly suitable for an array installation. Its hardwearing material and its high IP and IK rating (IP65, IK10) make it extremely weather resistant; with proper maintenance it is suitable for use in marine and coastal environments. Includes fitting box and warm filter to get 3.000K light.

TECHNICAL CHARACTERISTICS

Type:	Downlight
IP Protection degrees:	IP65
IK Protection degrees:	IK10
Bulb:	3 x LED Cree. Neutral white - 4200K
Power (W):	1
Total power consumption (W):	4.7
Voltage / Frequency:	100-240V/50-60Hz
Warranty (Years):	2
Option to extend the guarantee:	Yes, 5 years
Units per box:	8
Net Weight (Kg):	0.43
EAN:	8435381400125,00



MATERIALS / FINISHES

Structure material: Stainless steel
AISI316
Injected aluminium

Diffuser material: Polycarbonate

Diffuser finish: Transparent

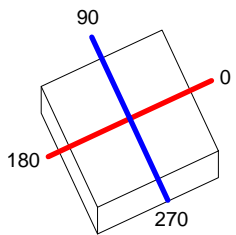
GEAR

Multi-voltage electronic gear included (110-240 V / 50-60 Hz)

Luminaire		Measur.		Lamp		
Code	05-9654	Code	05-9654	Code	LED	
Name	LED	Name	LED	Number	1	
Line	GEA	Date	26-11-2013	Position		
Efficiency	99.96%	Coordinate system	CG	Total Flux	177.50 lm	
Maximum value	67.12 cd	Position	C=195.00 G=17.00	Asymmetrical		
Rectangular Luminaire	Length	1 mm	Width	1 mm	Height	1 mm
Rectangular Luminous Area	Length	1 mm	Width	1 mm	Height	0 mm
Horizontal Luminous Area	0.000001 m2	Emitting area on Plane 180°		0.000000 m2		
Emitting area on Plane 0°	0.000000 m2	Emitting area on Plane 270°		0.000000 m2		
Emitting area on Plane 90°	0.000000 m2	Glare area at 76°		0.000000 m2		
Symmetry Type	Asymmetrical	Maximum Gamma Angle		90		
Measurement Distance	0.00	Measurement Flux		177.50 lm		
Operator		Source voltage				
Temperature	25.00 °C	Source current				
Humidity	60.00 %	Photocell				
Notes						

Line		Code		Luminaire Lamps		Flux [lm]	Pow. [W]	Q.ty
Eulumdat		LED		Name				
C.I.E.	49 81 97 100 100			LED - 5.10 W		177.50	5.10	1
F UTE	1.00 E			D DIN 5040	A30			
				B NBN	BZ 4			

1mm x 1mm



C Halfplanes

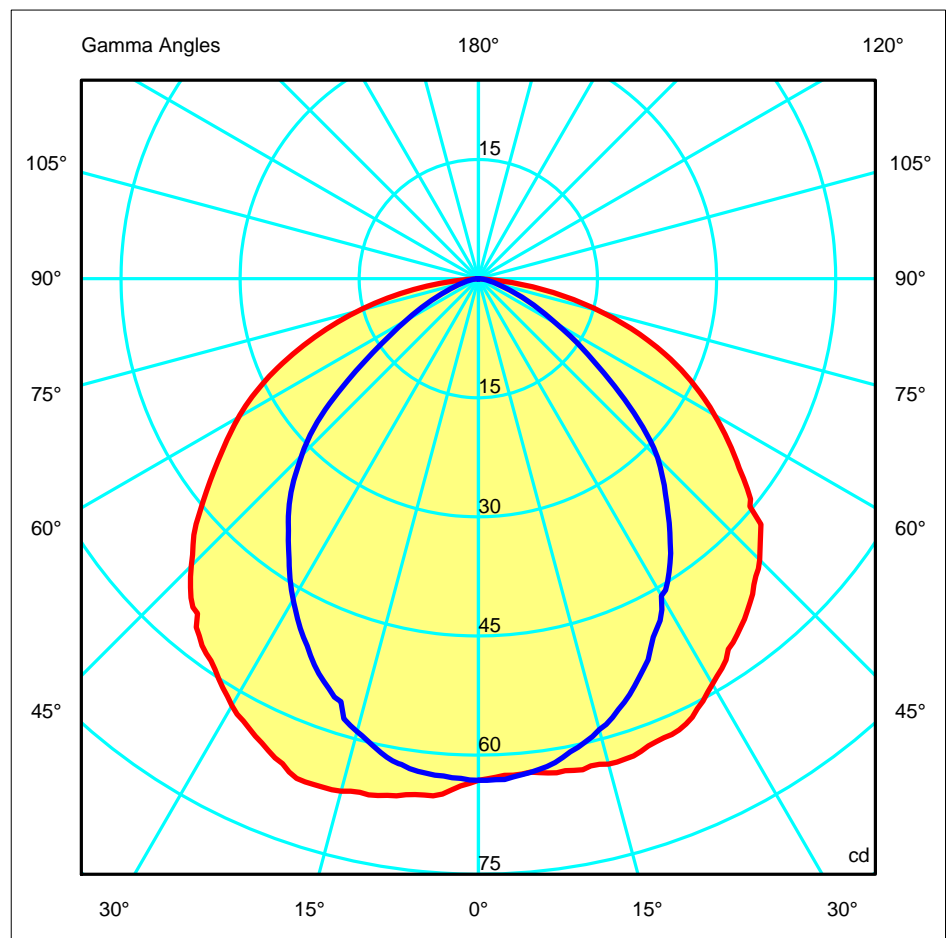
180.0 — 0.0 (Red line)

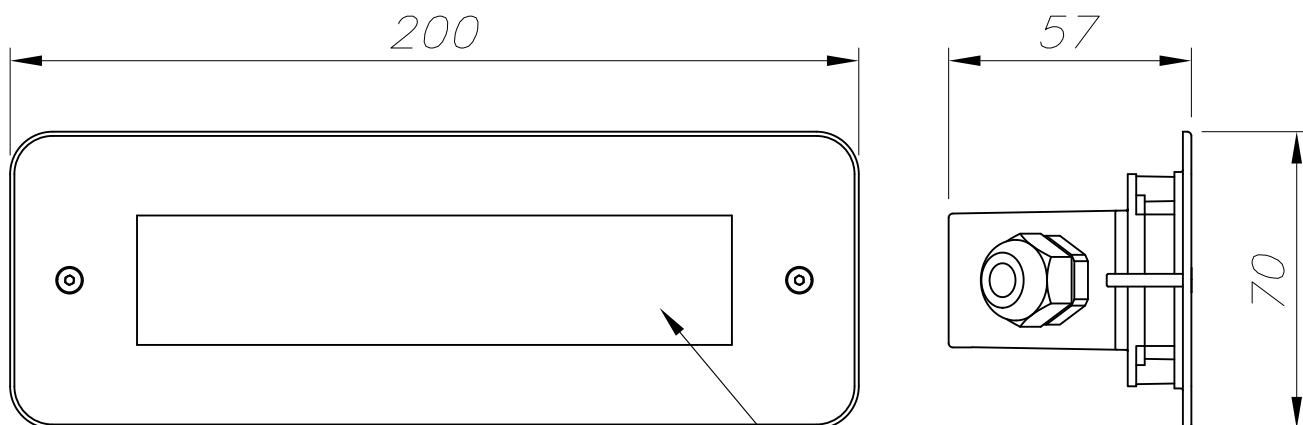
270.0 — 90.0 (Blue line)

ULOR 0.00 %

DLOR 99.96 %

RN 0.00 %

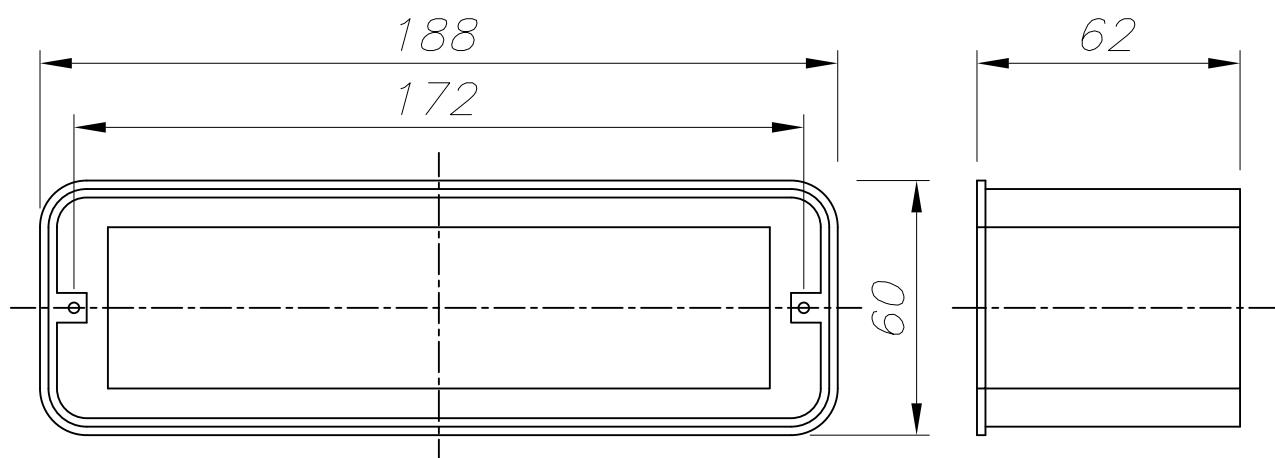
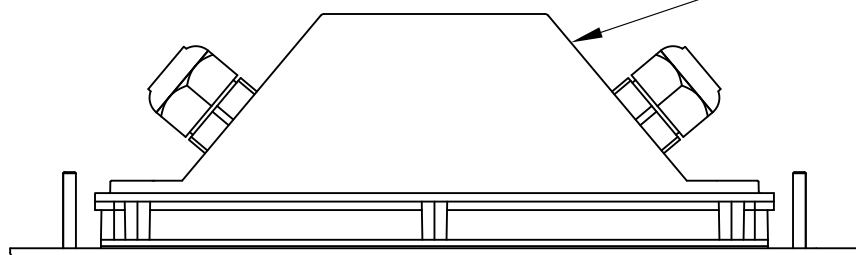




ACERO INOXIDABLE AISI 316
STAINLESS STEEL AISI 316

PC TRANSPARENTE
TRANSPARENT PC

ALUMINIO DE ALTA PUREZA
HIGH QUALITY ALUMINIUM



CAJA DE EMPOTRAR
FLUSH FITTING BOX

