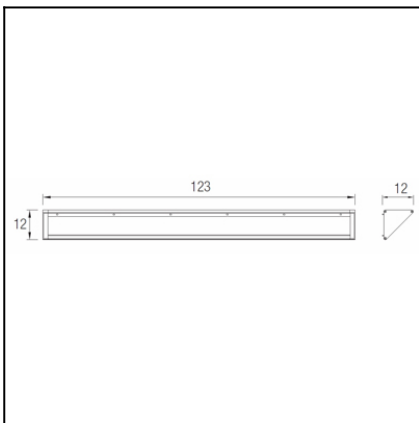




The photograph may not match the reference exactly. Please read the product description to identify the finish.



DESCRIPTION

Triangular shaped appliqué for general direct lighting applications. Extruded aluminium body and frosted polycarbonate diffuser. Available in a light grey finish. Light source uses a T5 28W fluorescent lamp (not supplied). Includes BAG electronic control components. Its design and wire outlets on both sides makes it particularly suitable for an array installation. Its high IP and IK rating (IP65, IK10) and its tough weatherproof material make it extremely resistant even under the most severe weather conditions.

TECHNICAL CHARACTERISTICS

| | |
|------------------------------|------------------|
| Type: | Wall fixture |
| IP Protection degrees: | IP65 |
| IK Protection degrees: | IK10 |
| Lampholder: | 1 x G5 |
| Power (W): | G5 28/54W |
| Total power consumption (W): | 63.1 |
| Voltage / Frequency: | 220-240V/50-60Hz |
| Warranty (Years): | 2 |
| Units per box: | 1 |
| Net Weight (Kg): | 5.93 |
| EAN: | 8435381400187,00 |



Download photometric file .ldt /.ies

MATERIALS / FINISHES

| | | | |
|----------------------------|--|---------------------------|---------------|
| Structure material: | Extruded aluminium Injected aluminium | Diffuser material: | Polycarbonate |
| Structure finish: | Grey Grey | | |

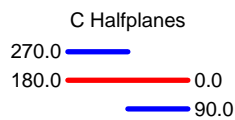
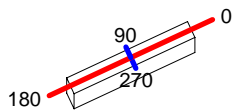
GEAR

Gear included: Yes, electronic

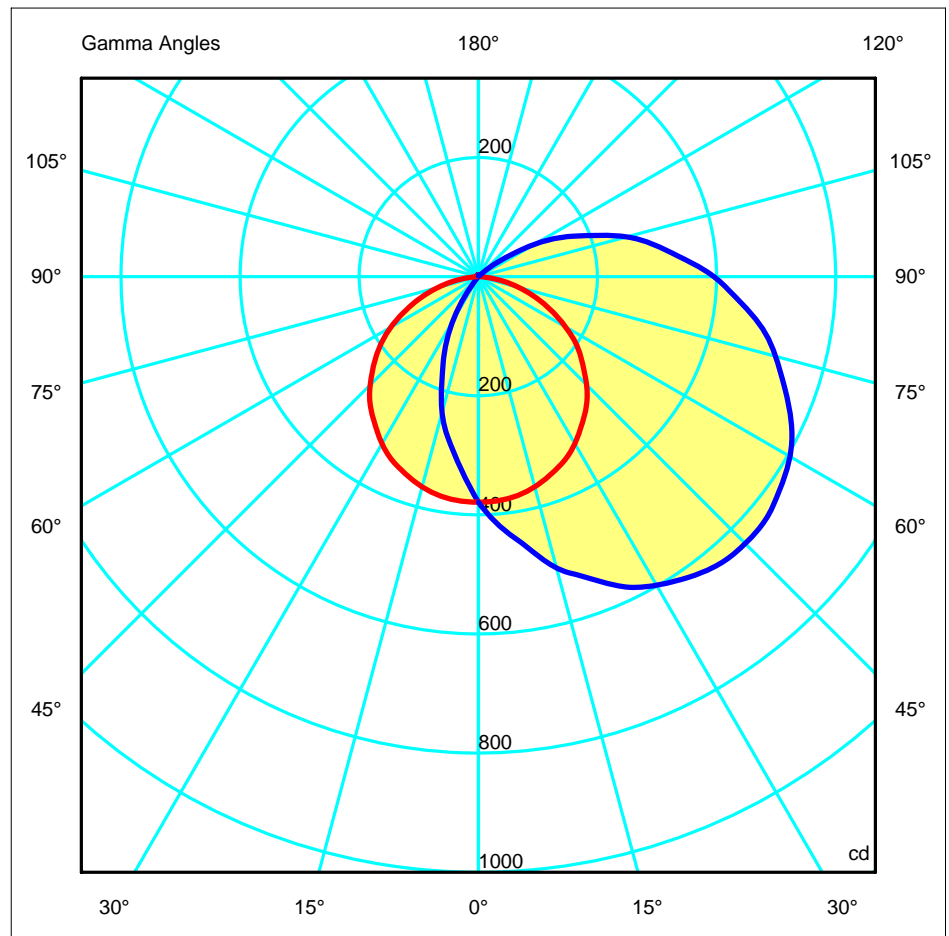
| | | | | | | | |
|---------------------------|-----------------------|-----------------------------|---------------------------|-----------------------------|----------------------|-------------------|-------------|
| Luminaire | | Measur. | | Lamp | | | |
| Code | 05-9662-34-CD | Code | 05-9662-34-CD | Code | TL5 HE sup80 28W/840 | | |
| Name | Aplique CURIE 28W T5 | Name | Aplique CURIE 28W T5 opal | Number | 1 | | |
| Line | - LEDS-C4 | Date | 02-04-2013 | Position | Universal | | |
| Efficiency | 63.93% | Coordinate system | CG | Total Flux | 2600.00 lm | | |
| Maximum value | 633.62 cd | Position | C=90.00 G=45.00 | Sym. on planes | 270-90 | | |
| Rectangular Luminaire | Length | 160 mm | Width | 1230 mm | Height | 90 mm | |
| Rectangular Luminous Area | Length | 105 mm | Width | 1190 mm | Height | 0 mm | |
| Horizontal Luminous Area | 0.124950 m2 | Emitting area on Plane 180° | 0.000000 m2 | Emitting area on Plane 270° | 0.000000 m2 | Glare area at 76° | 0.030228 m2 |
| Symmetry Type | Sym. on planes 270-90 | Maximum Gamma Angle | 180 | Measurement Flux | 2600.00 lm | | |
| Measurement Distance | 6.44 | Source voltage | 230.00 V | Source current | PRC | | |
| Operator | Asselum T2 | Photocell | | | | | |
| Temperature | 20.00 °C | | | | | | |
| Humidity | 53.00 % | | | | | | |
| Notes | | | | | | | |

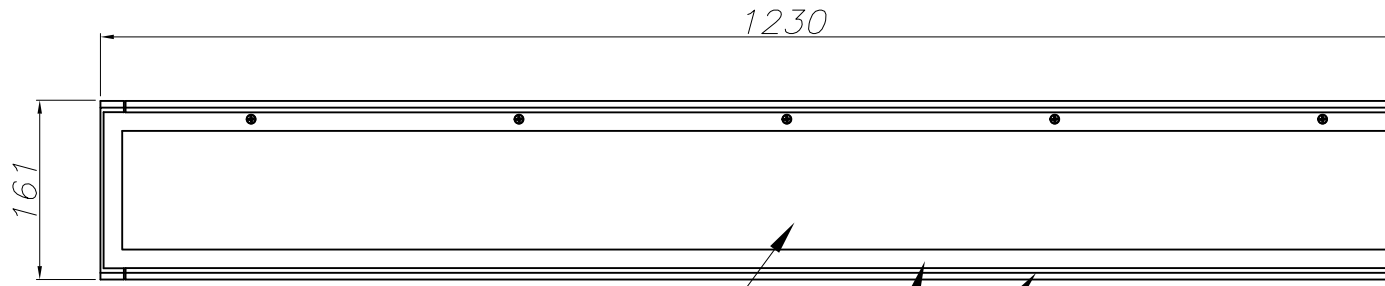
| Luminaire Lamps | | | | | | |
|--------------------------|----------------------|-------------------------------|-----------|----------|------|--|
| Line | Code | Name | Flux [lm] | Pow. [W] | Q.ty | |
| PHILIPS 2005 ILCOS FD,FC | TL5 HE sup80 28W/840 | MASTER TL5 HE super80 28W/840 | 2600.00 | 28.00 | 1 | |
| C.I.E. | 36 64 85 87 64 | D DIN 5040 | B21 | | | |
| F UTE | 0.56 H + 0.08 T | B NBN | BZ 6 | | | |

160mm x 1230mm



| | |
|------|---------|
| ULOR | 8.07 % |
| DLOR | 55.86 % |
| RN | 12.62 % |

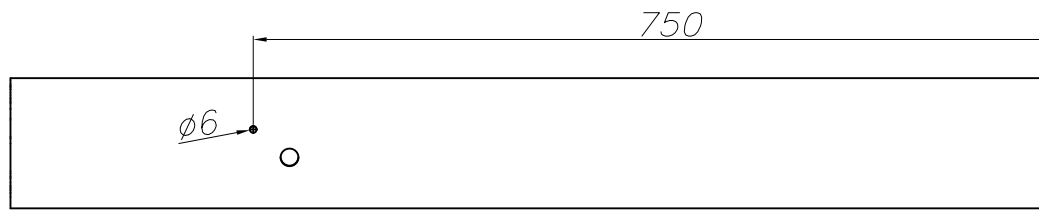




PC SEMITRASPARENTE
SEMITRASPARENT PC

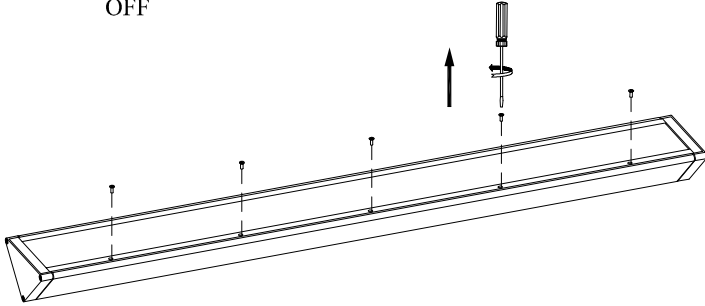
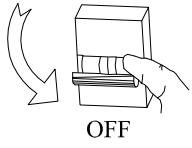
ALUMINIO EXTRUDIDO
EXTRUDED ALUMINIUM

ALUMINIO INYECTADO
INJECTED ALUMINIUM

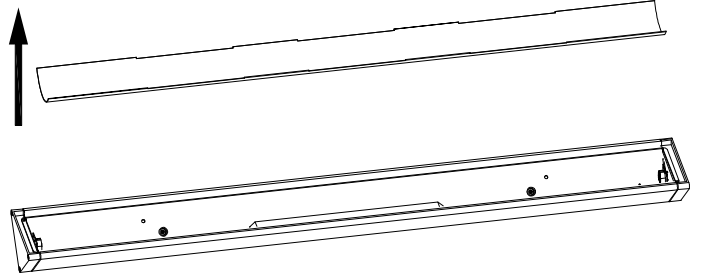


PLANTILLA DE INSTALACIÓN
INSTALLATION TEMPLATE

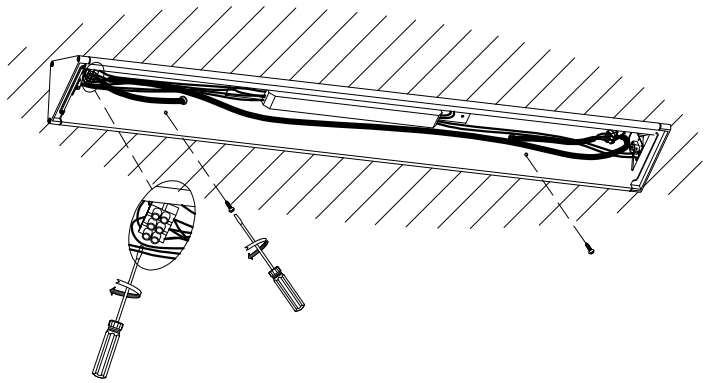
①



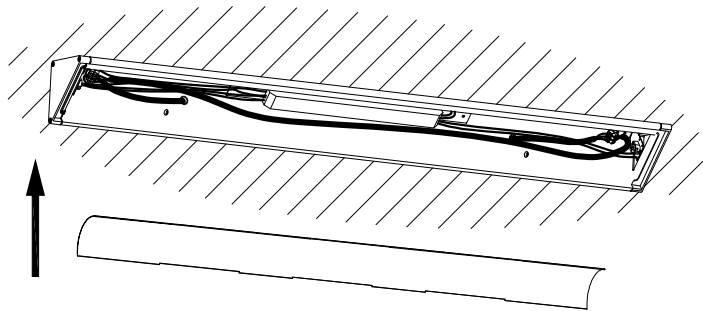
②



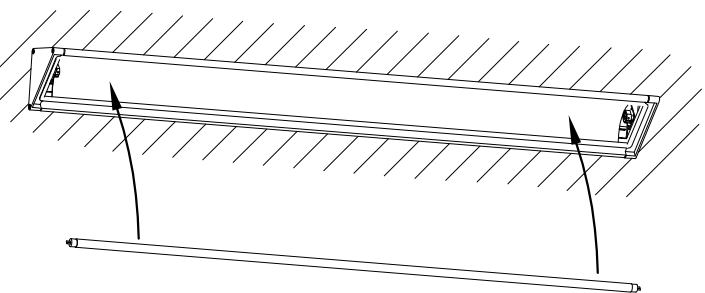
③



④



⑤



⑥

