

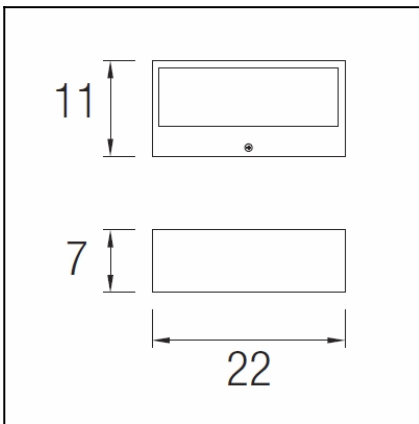
OUT 

NEMESIS

05-9675-CA-B8



The photograph may not match the reference exactly. Please read the product description to identify the finish.



Download photometric file .ldt /.ies

TECHNICAL CHARACTERISTICS

Type:	Wall fixture
IP Protection degrees:	IP44
IK Protection degrees:	IK06
Lampholder:	1 x G24d2
Power (W):	G24d2 18
Total power consumption (W):	23.6
Voltage / Frequency:	230V/50Hz
Warranty (Years):	2
Units per box:	4
Net Weight (Kg):	1.175
EAN:	8,43538E+12



MATERIALS / FINISHES

Structure material: Stainless steel
AISI316

Diffuser material: Glass

Diffuser finish: Matt

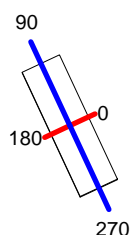
GEAR

Gear included: Yes, Magnetic

Luminaire		Measur.		Lamp		
Code	05-9675	Code	05-9675	Code	CFL	
Name	FIXTURE WALL	Name	FIXTURE WALL	Number	1	
Line	NEMESIS	Date	03-12-2013	Position		
Efficiency	36.92%	Coordinate system	CG	Total Flux	792.00 lm	
Maximum value	67.20 cd	Position	C=0.00 G=159.00	Asymmetrical		
Rectangular Luminaire	Length	220 mm	Width	66 mm	Height	1 mm
Rectangular Luminous Area	Length	220 mm	Width	66 mm	Height	0 mm
Horizontal Luminous Area	0.014520 m2	Emitting area on Plane 180°		0.000000 m2		
Emitting area on Plane 0°	0.000000 m2	Emitting area on Plane 270°		0.000000 m2		
Emitting area on Plane 90°	0.000000 m2	Glare area at 76°		0.003513 m2		
Symmetry Type	Asymmetrical	Maximum Gamma Angle		180		
Measurement Distance	0.00	Measurement Flux		792.00 lm		
Operator		Source voltage				
Temperature	25.00 °C	Source current				
Humidity	60.00 %	Photocell				
Notes						

Luminaire Lamps						
Line	Code	Name	Flux [lm]	Pow. [W]	Q.ty	
IESNA-1995	CFL	05-9675 - 19.30 W	792.00	19.30	1	
C.I.E.	54 85 98 51 37	D DIN 5040				
F UTE	0.19 D + 0.18 T	B NBN				C41 BZ 4 / 2 / BZ 3

220mm x 66mm



C Halfplanes

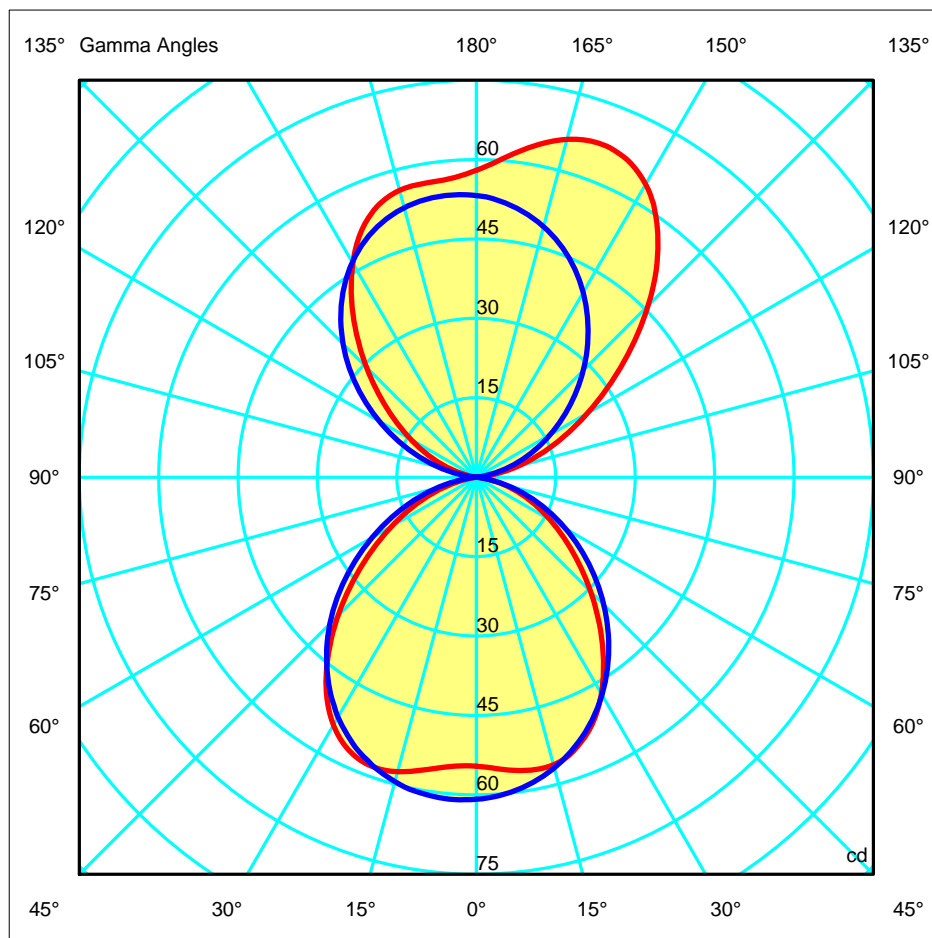
180.0 — 0.0 (Red line)

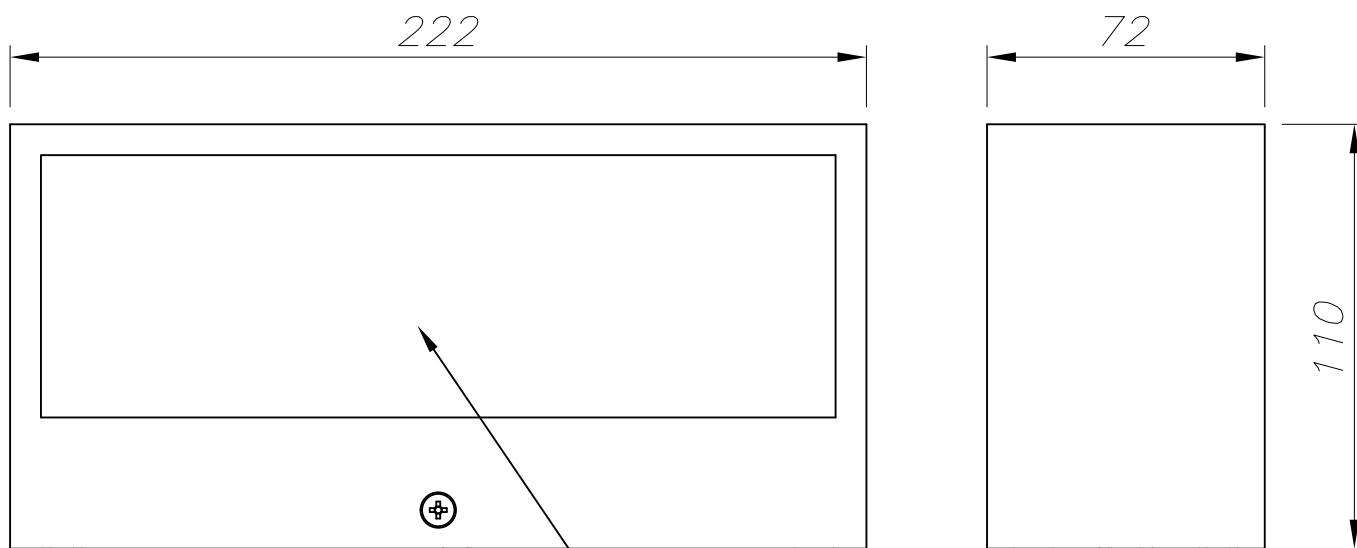
270.0 — 90.0 (Blue line)

ULOR 18.14 %

DLOR 18.78 %

RN 49.13 %

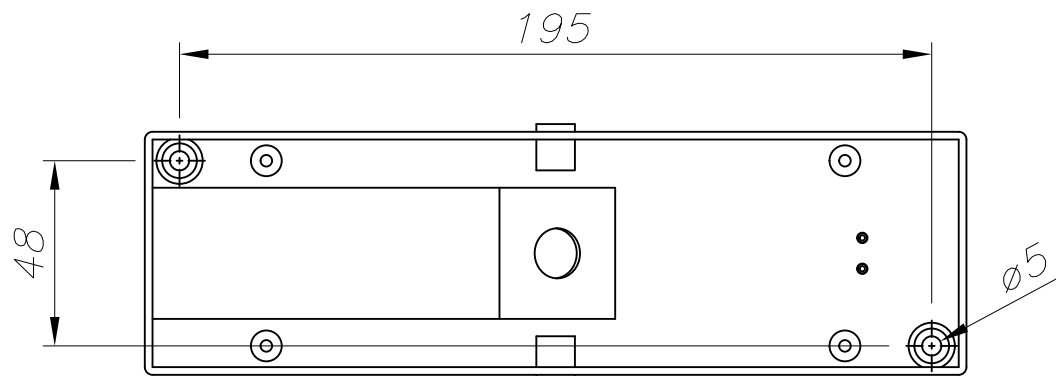




CRISTAL MATIZADO AL ÁCIDO
ACID MATT GLASS



ACERO INOXIDABLE AISI 316
STAINLESS STEEL AISI 316



PLANTILLA DE INSTALACIÓN
INSTALLATION TEMPLATE

