

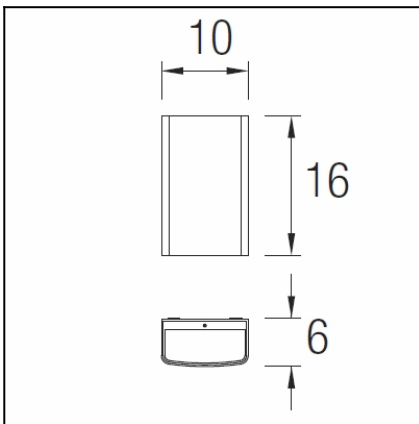
OUT 

CLOUS

05-9679-Z5-B8



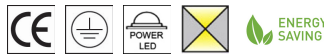
The photograph may not match the reference exactly. Please read the product description to identify the finish.



Download photometric file .ldt /.ies

TECHNICAL CHARACTERISTICS

Type:	Wall fixture
IP Protection degrees:	IP65
IK Protection degrees:	IK08
Bulb:	6 x LED Cree. Warm White - 3000K
Power (W):	1
Total power consumption (W):	8.4
Voltage / Frequency:	100-240V/50-60Hz
Warranty (Years):	2
Option to extend the guarantee:	Yes, 5 years
Units per box:	4
Net Weight (Kg):	0.78
EAN:	8,43538E+12



MATERIALS / FINISHES

Structure material:	High purity aluminium	Diffuser material:	Glass
Structure finish:	Urban grey	Diffuser finish:	Matt

GEAR

Multi-voltage electronic gear included (110-240 V / 50-60 Hz)

Report No.: 20130314006

Test Time: 2013-3-15 08:58

Luminaire Property

Luminaire Manufacturer: LEDS-C4
 Luminaire Category:
 Lamp Catalog:
 Number of Lamps: 6
 Luminous Length (mm): 100
 Luminous Height (mm): 25
 Current: 0.078 A
 Power Factor: 0.509

Luminaire Description: 05-9679
 Lamp Description: LED
 Lumens per Lamp: 100
 Luminous Width (mm): 50
 Voltage: 220.3 V
 Power: 8.80 W

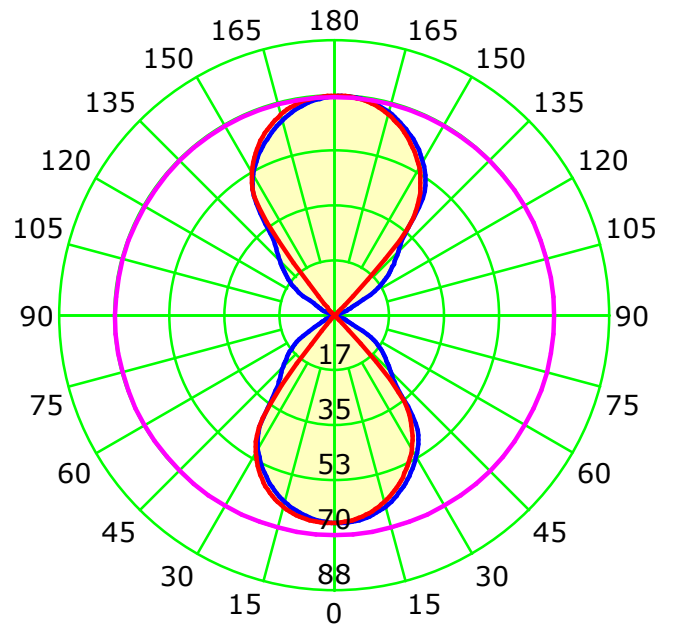
Photometric Results

CIE Class: General Diffuse
 Measurement Flux: 206.5 lm
 Downward Ratio: 16.52%
 Field Angle: H122.0 V83.9
 Luminaire Efficacy Rating (LER): 23
 Max. Intensity: 70.84 cd

Total Rated Lamp Lumens: 600.0 lm
 Efficiency: 34.42%
 Upward Ratio: 17.90%
 Beam Angle: H76.0 V75.0
 Central Intensity: 66.84 cd
 Pos of Max. Intensity: H60 V178

Picture Of Luminaire ...

Luminous Intensity Distribution Curve

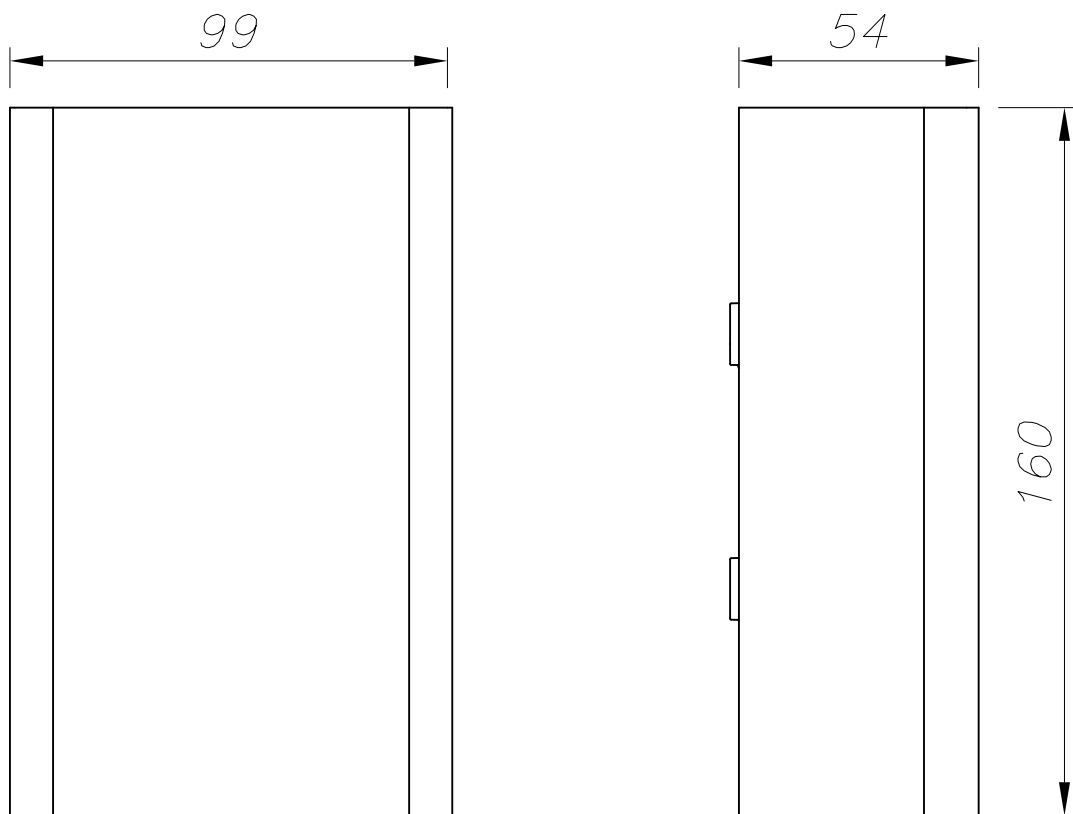


Unit: cd

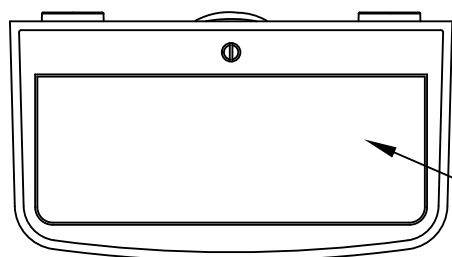
— C0-C180 — C90-C270 — G178

C Plane (°):0.0-360.0: 30.0
 Test Lab: INVENTFINE
 Test Type: TYPE C
 Temperature:
 Operator:

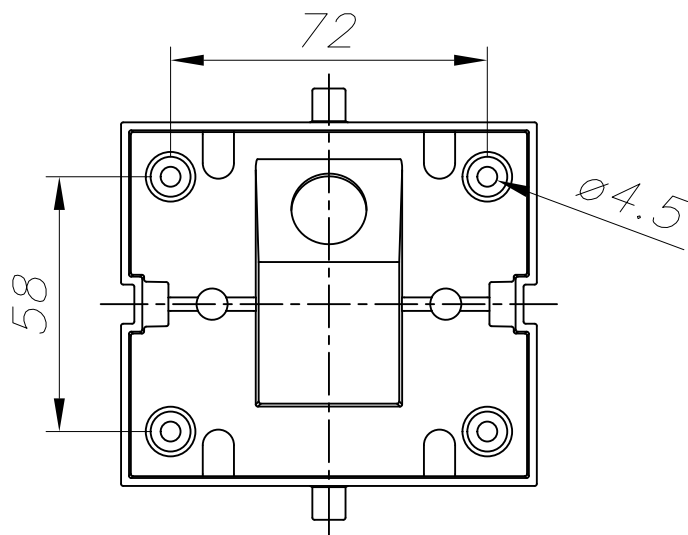
Gamma Plane (°):0.0-180.0:1.0
 Test Device: GPM-1800B
 Distance: 6.435 m
 Humidity:
 Inspector:



ALUMINIO INYECTADO
INJECTED ALUMINUM



CRISTAL MATE
ACID MATT GLASS



PLANTILLA DE INSTALACIÓN
INSTALLATION TEMPLATE

