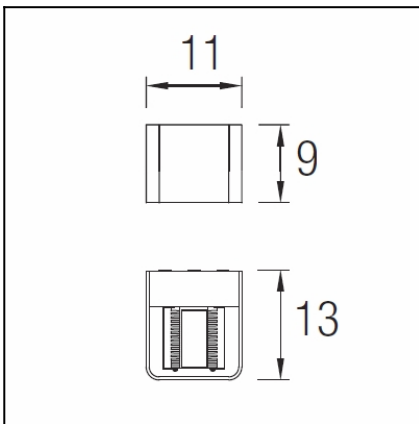
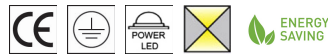


The photograph may not match the reference exactly. Please read the product description to identify the finish.



TECHNICAL CHARACTERISTICS

Type:	Wall fixture
IP Protection degrees:	IP65
IK Protection degrees:	IK08
Bulb:	6 x LED Cree. Warm White - 3000K
Power (W):	6
Total power consumption (W):	8.2
Luminous efficacy (Lm/W):	94, 94
Voltage / Frequency:	100-240V/50-60Hz
Warranty (Years):	2
Option to extend the guarantee:	Yes, 5 years
Units per box:	4
Net Weight (Kg):	0.98
EAN:	8,43538E+12



MATERIALS / FINISHES

Structure material: High purity aluminium
Structure finish: Urban grey

Diffuser material: Glass
Diffuser finish: Matt

Download photometric file .ldt /.ies

GEAR

Multi-voltage electronic gear included (110-240 V / 50-60 Hz)

Report No.: 20130314006

Test Time: 2013-3-15 09:41

Luminaire Property

Luminaire Manufacturer: LEDS-C4
 Luminaire Category:
 Lamp Catalog:
 Number of Lamps: 6
 Luminous Length (mm): 100
 Luminous Height (mm): 35
 Current: 0.076 A
 Power Factor: 0.492

Luminaire Description: 05-9683
 Lamp Description: LED
 Lumens per Lamp: 100
 Luminous Width (mm): 80
 Voltage: 220.5 V
 Power: 8.30 W

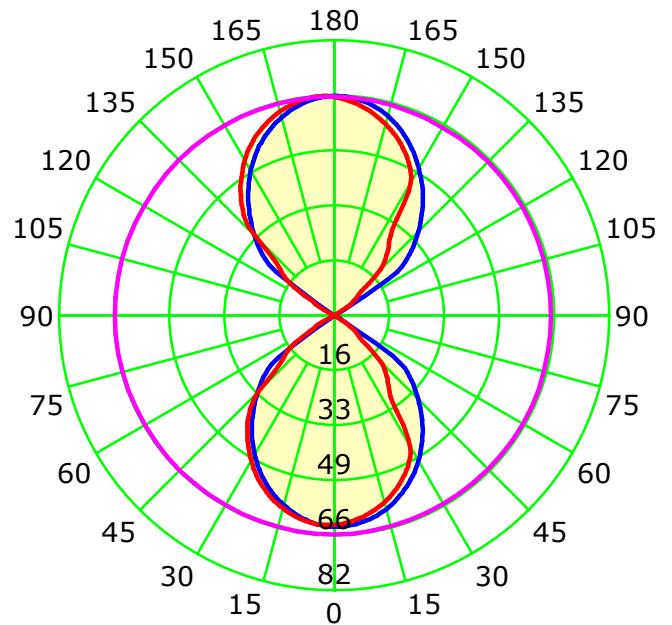
Photometric Results

CIE Class: General Diffuse
 Measurement Flux: 225 lm
 Downward Ratio: 18.43%
 Field Angle: H112.1 V113.4
 Luminaire Efficacy Rating (LER): 27
 Max. Intensity: 66.13 cd

Total Rated Lamp Lumens: 600.0 lm
 Efficiency: 37.51%
 Upward Ratio: 19.07%
 Beam Angle: H92.4 V78.3
 Central Intensity: 63.56 cd
 Pos of Max. Intensity: H240 V177

Picture Of Luminaire ...

Luminous Intensity Distribution Curve

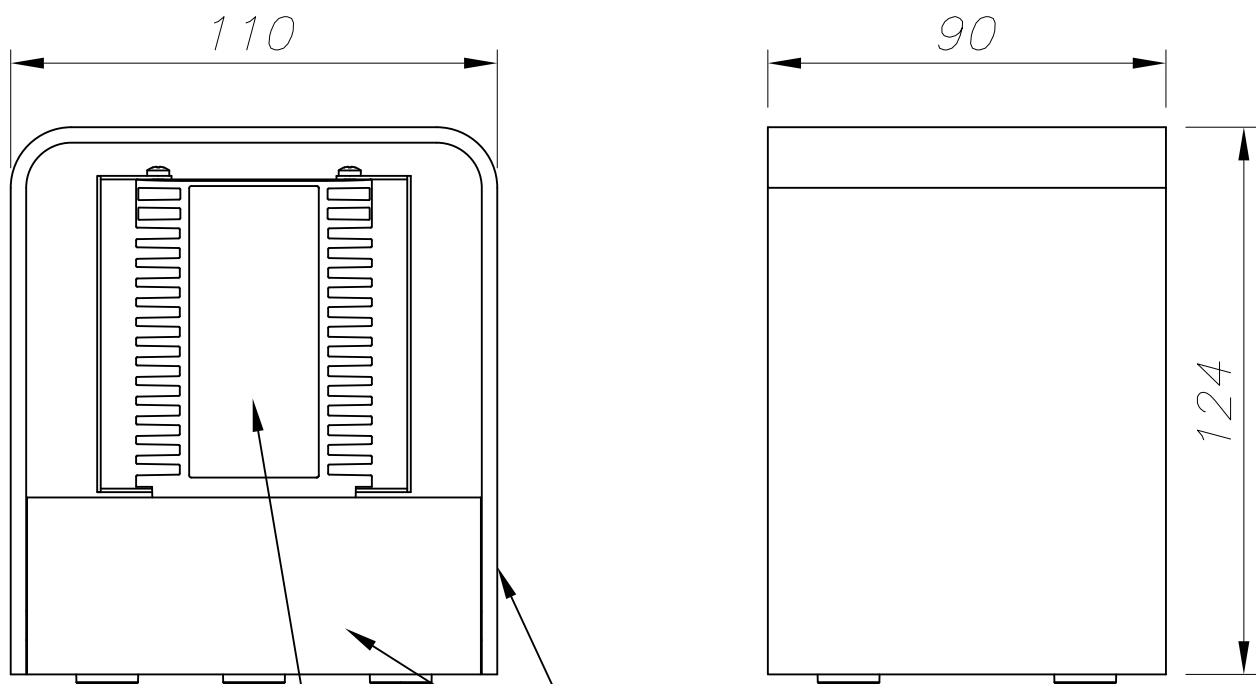


Unit: cd

— C0-C180 — C90-C270 — G177

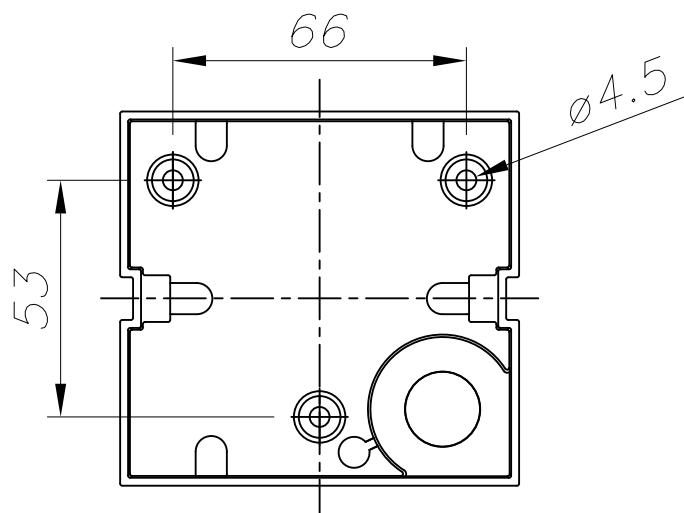
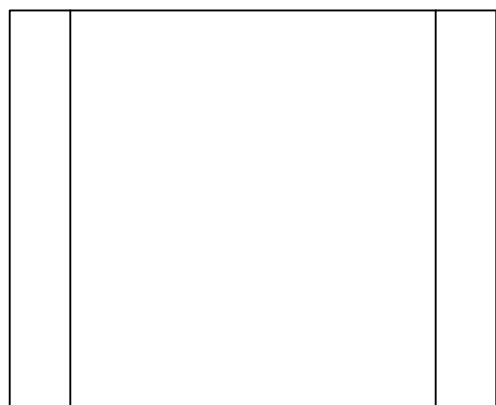
C Plane (°):0.0-360.0: 30.0
 Test Lab: INVENTFINE
 Test Type: TYPE C
 Temperature:
 Operator:

Gamma Plane (°):0.0-180.0:1.0
 Test Device: GPM-1800B
 Distance: 6.435 m
 Humidity:
 Inspector:



CRISTAL ARENADO INTERIOR
SANDFROSTED GLASS INSIDE

ALUMINIO DE ALTA PUREZA
HIGH QUALITY ALUMINIUM



PLANTILLA DE INSTALACIÓN
INSTALLATION TEMPLATE

