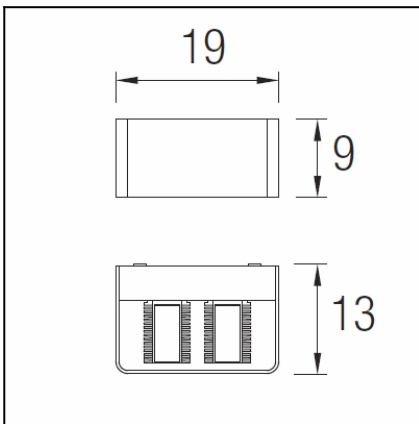
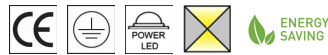




The photograph may not match the reference exactly. Please read the product description to identify the finish.


TECHNICAL CHARACTERISTICS

Type:	Wall fixture
IP Protection degrees:	IP65
IK Protection degrees:	IK08
Bulb:	12 x LED Cree. Warm White - 3000K
Power (W):	12
Total power consumption (W):	15.9
Luminous efficacy (Lm/W):	94, 94
Voltage / Frequency:	100-240V/50-60Hz
Warranty (Years):	2
Option to extend the guarantee:	Yes, 5 years
Units per box:	4
Net Weight (Kg):	1.42
EAN:	8435381400408,00


MATERIALS / FINISHES

Structure material:	High purity aluminium	Diffuser material:	Glass
Structure finish:	Urban grey	Diffuser finish:	Matt

Download photometric file .ldt /.ies

GEAR

Multi-voltage electronic gear included (110-240 V / 50-60 Hz)

Report No.: 20130314007

Test Time: 2013-3-15 10:51

Luminaire Property

Luminaire Manufacturer: LEDS-C4
 Luminaire Category:
 Lamp Catalog:
 Number of Lamps: 12
 Luminous Length (mm): 180
 Luminous Height (mm): 30
 Current: 0.074 A
 Power Factor: 0.956

Luminaire Description: 05-9684
 Lamp Description: LED
 Lumens per Lamp: 100
 Luminous Width (mm): 80
 Voltage: 220.1 V
 Power: 15.70 W

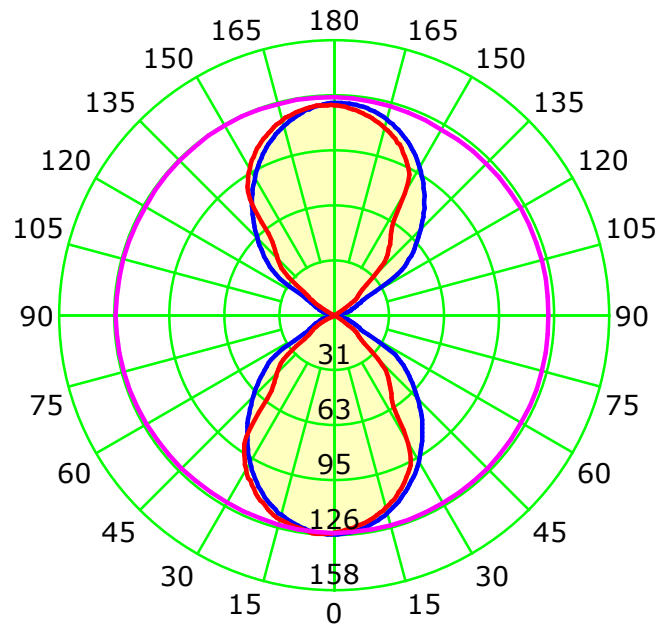
Photometric Results

CIE Class: General Diffuse
 Measurement Flux: 438.7 lm
 Downward Ratio: 18.50%
 Field Angle: H131.6 V112.2
 Luminaire Efficacy Rating (LER): 28
 Max. Intensity: 126.84 cd

Total Rated Lamp Lumens: 1200.0 lm
 Efficiency: 36.56%
 Upward Ratio: 18.05%
 Beam Angle: H93.9 V72.0
 Central Intensity: 126.23 cd
 Pos of Max. Intensity: H210 V4

Picture Of Luminaire ...

Luminous Intensity Distribution Curve

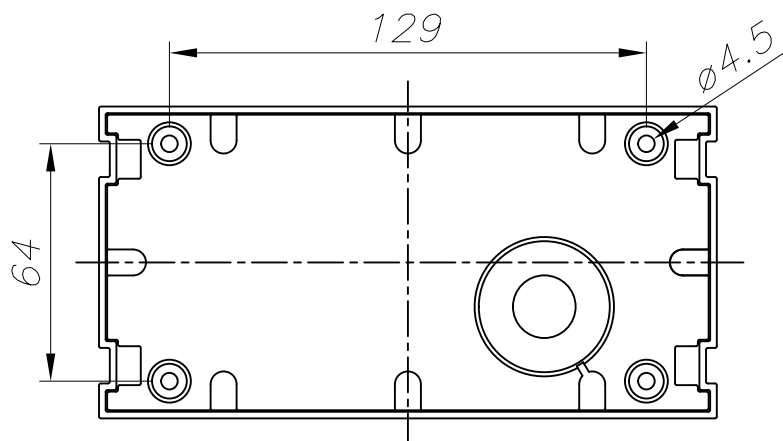
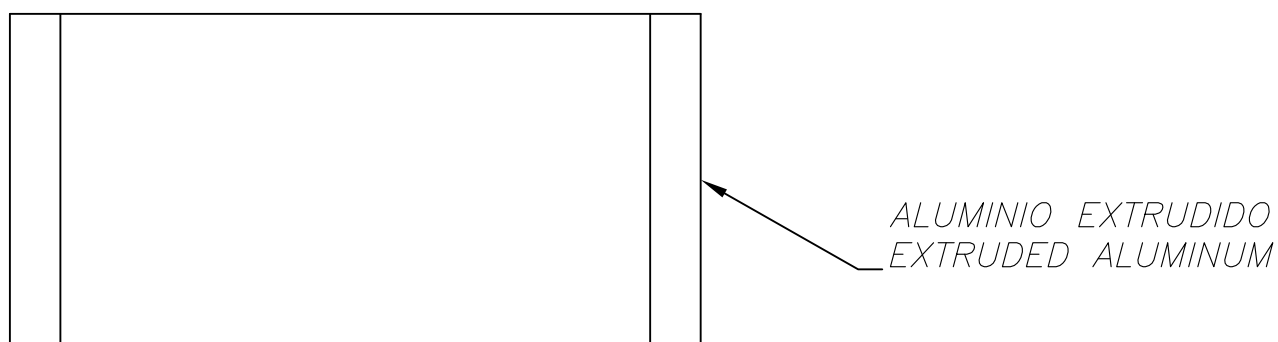
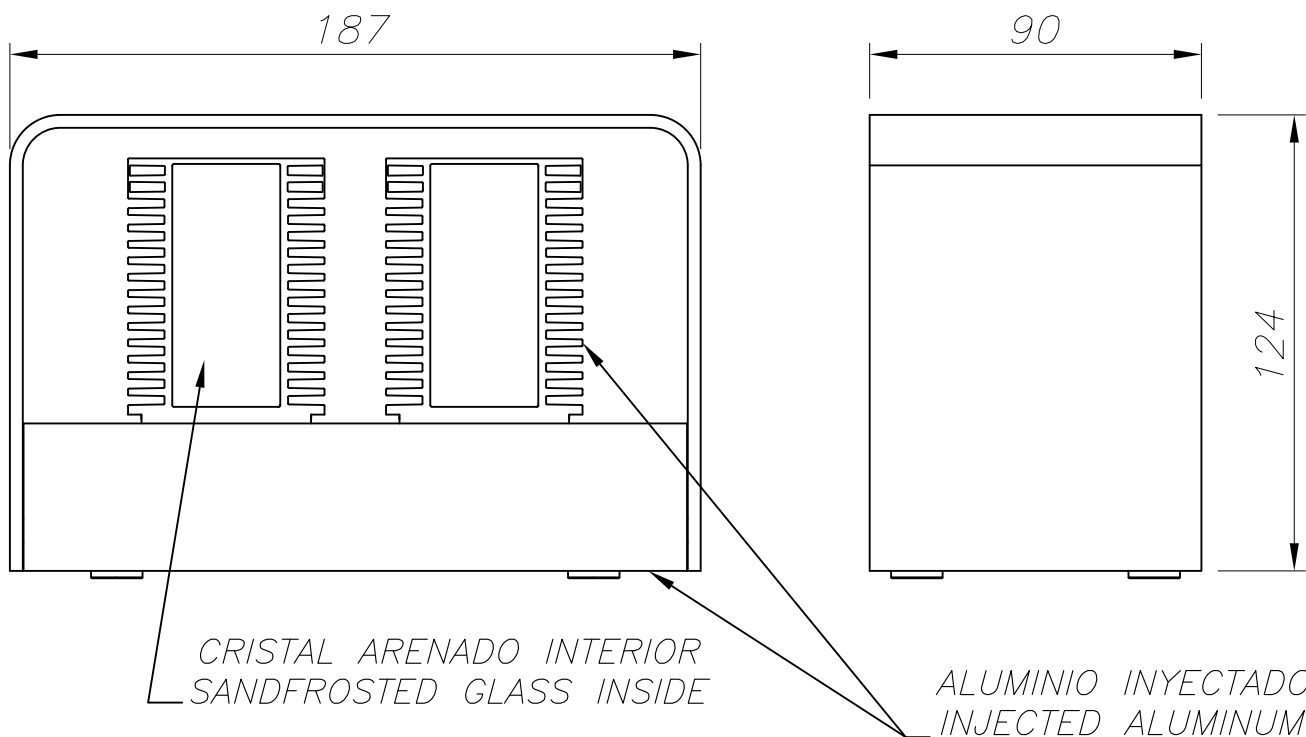


Unit: cd

— C0-C180 — C90-C270 — G4

C Plane (°):0.0-360.0: 30.0
 Test Lab: INVENTFINE
 Test Type: TYPE C
 Temperature:
 Operator:

Gamma Plane (°):0.0-180.0:1.0
 Test Device: GPM-1800B
 Distance: 6.435 m
 Humidity:
 Inspector:



PLANTILLA DE INSTALACIÓN
INSTALLATION TEMPLATE

