

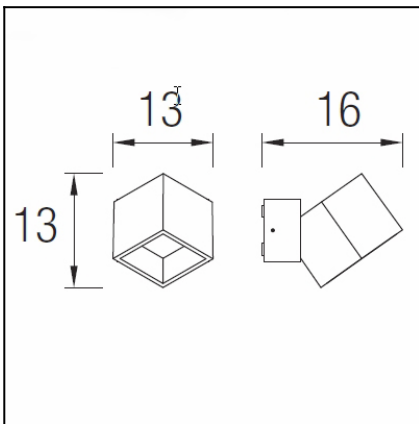
OUT 

CUBUS

05-9685-Z5-T2



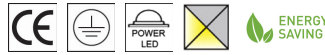
The photograph may not match the reference exactly. Please read the product description to identify the finish.



Download photometric file .ldt / .ies

TECHNICAL CHARACTERISTICS

Type:	Wall fixture
Adjustable $\pm 45^\circ$ on the vertical axis	
IP Protection degrees:	IP65
IK Protection degrees:	IK04
Bulb:	5 x LED Cree. Warm White - 3000K
Power (W):	5W
Total power consumption (W):	6.9
Luminous efficacy (Lm/W):	94, 94
Voltage / Frequency:	100-240V/50-60Hz
Warranty (Years):	2
Option to extend the guarantee:	Yes, 5 years
Units per box:	4
Net Weight (Kg):	1.02
EAN:	8,43538E+12



MATERIALS / FINISHES

Structure material:	High purity aluminium	Diffuser material:	Glass
Structure finish:	Urban grey	Diffuser finish:	Matt

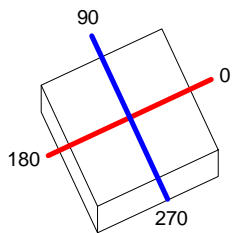
GEAR

Multi-voltage electronic gear included (110-240 V / 50-60 Hz)

Luminaire		Measur.		Lamp		
Code	05-9685-Z5-T2	Code	05-9685-Z5-T2	Code	11	
Name	CUBUS	Name	CUBUS	Number	4	
Line	LEDS-C4	Date	05-07-2013	Position		
Efficiency	36.77%	Coordinate system	CG	Total Flux	400.00 lm	
Maximum value	282.30 cd/klm	Position	C=315.00 G=4.00	Asymmetrical		
Rectangular Luminaire	Length	80 mm	Width	80 mm	Height	40 mm
Rectangular Luminous Area	Length	80 mm	Width	80 mm	Height	40 mm
Horizontal Luminous Area	0.006400 m ²	Emitting area on Plane 180°		0.003200 m ²		
Emitting area on Plane 0°	0.003200 m ²	Emitting area on Plane 270°		0.003200 m ²		
Emitting area on Plane 90°	0.003200 m ²	Glare area at 76°		0.004653 m ²		
Symmetry Type	Asymmetrical	Maximum Gamma Angle		90		
Measurement Distance	0.00	Measurement Flux		400.00 lm		
Operator		Source voltage				
Temperature	25.00 °C	Source current				
Humidity	60.00 %	Photocell				
Notes						

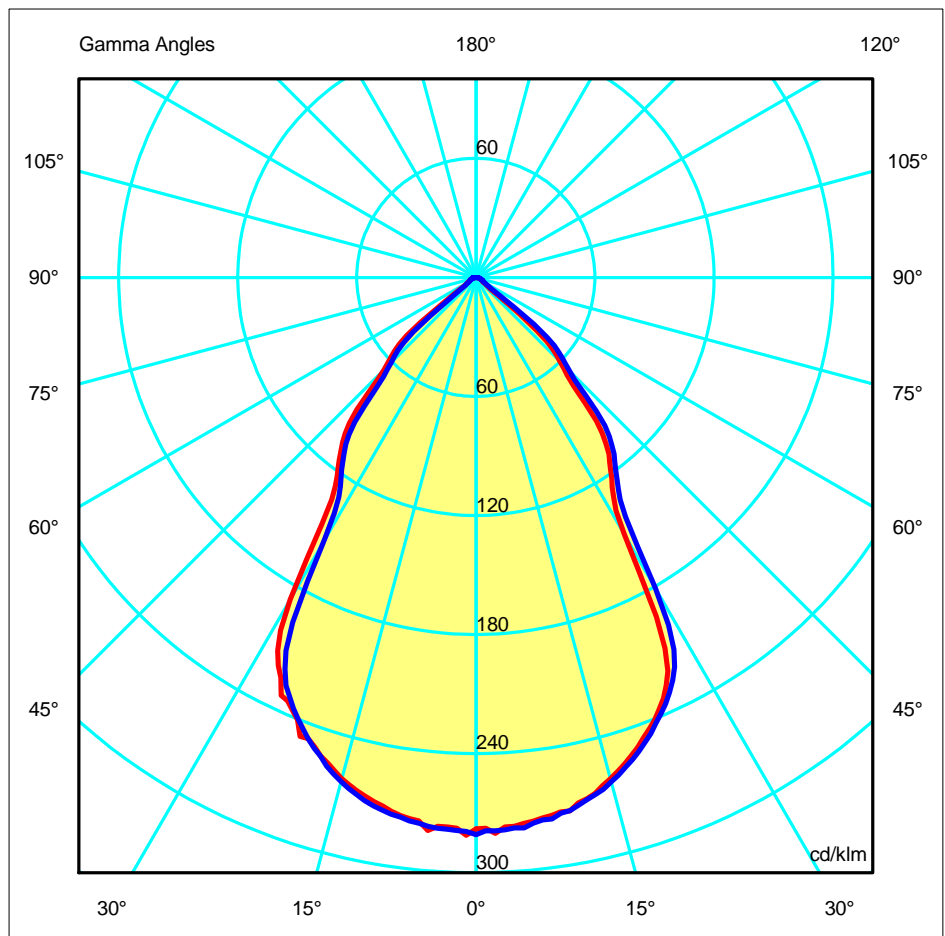
Luminaire Lamps						
Line	Code	Name	Flux [lm]	Pow. [W]	Q.ty	
Eulumdat	11	11 - 1.70 W	100.00	1.70	4	
C.I.E.	82 98 99 100 37	D DIN 5040	A60			
F UTE	0.37 B	B NBN	BZ 1			

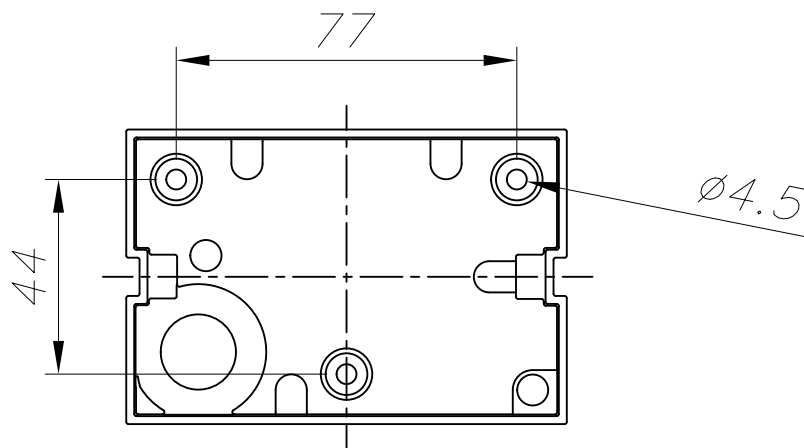
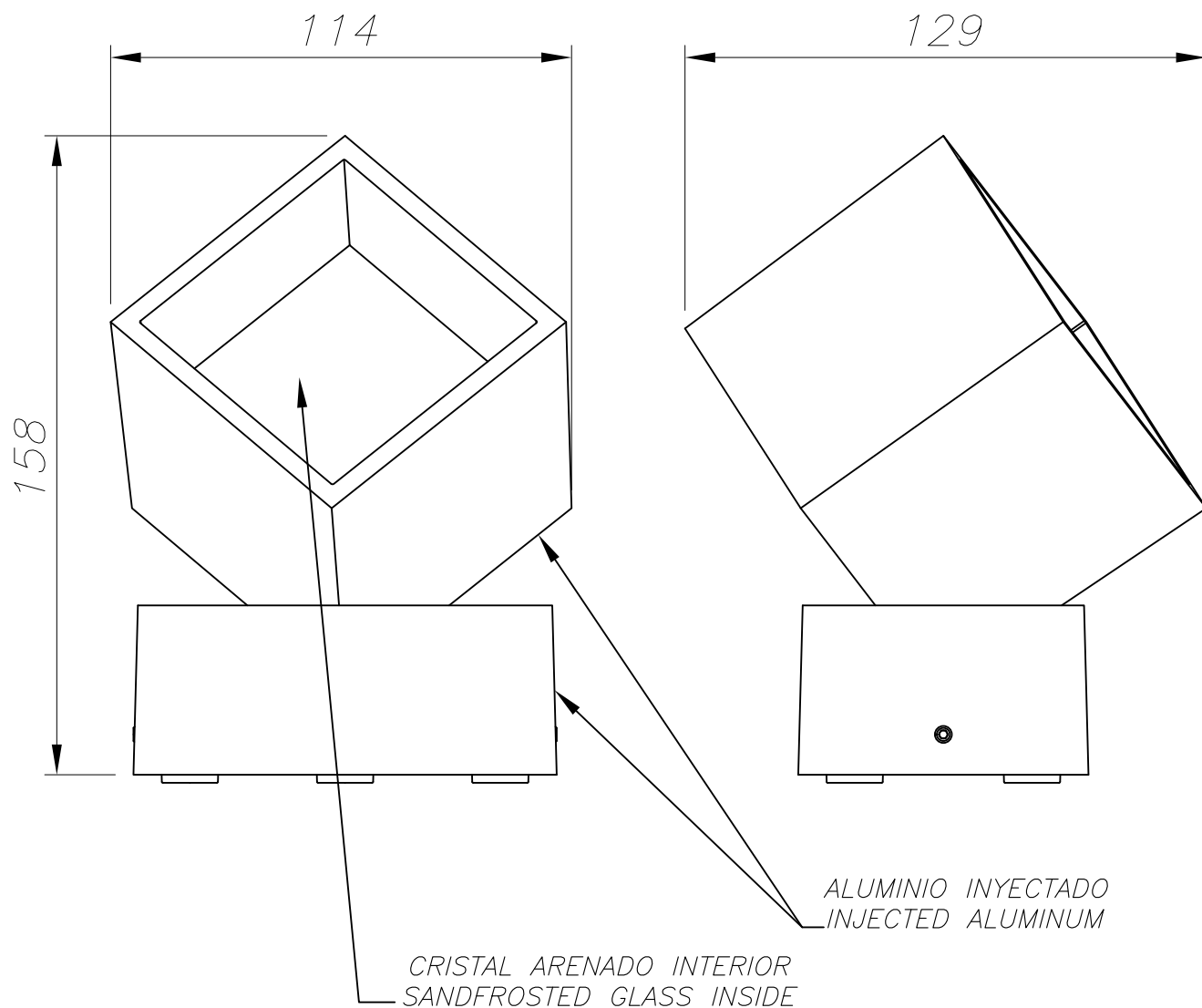
80mm x 80mm



C Halfplanes
 180.0 — 0.0
 270.0 — 90.0

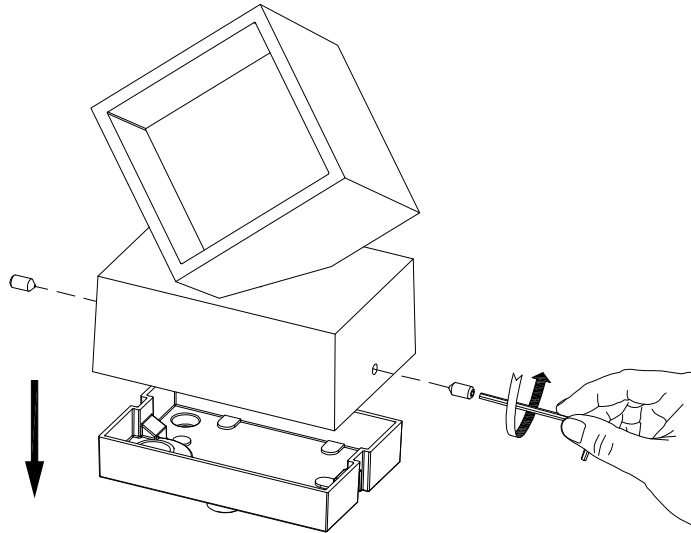
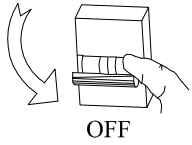
ULOR 0.00 %
 DLOR 36.77 %
 RN 0.00 %



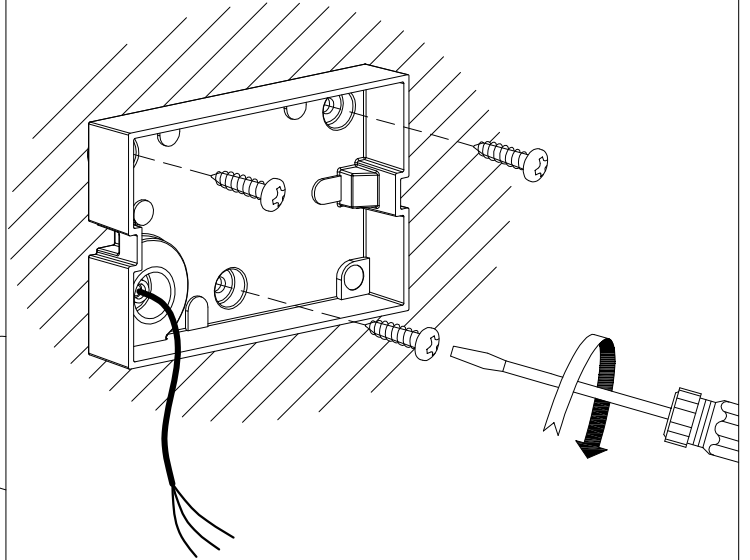


PLANTILLA DE INSTALACIÓN
INSTALLATION TEMPLATE

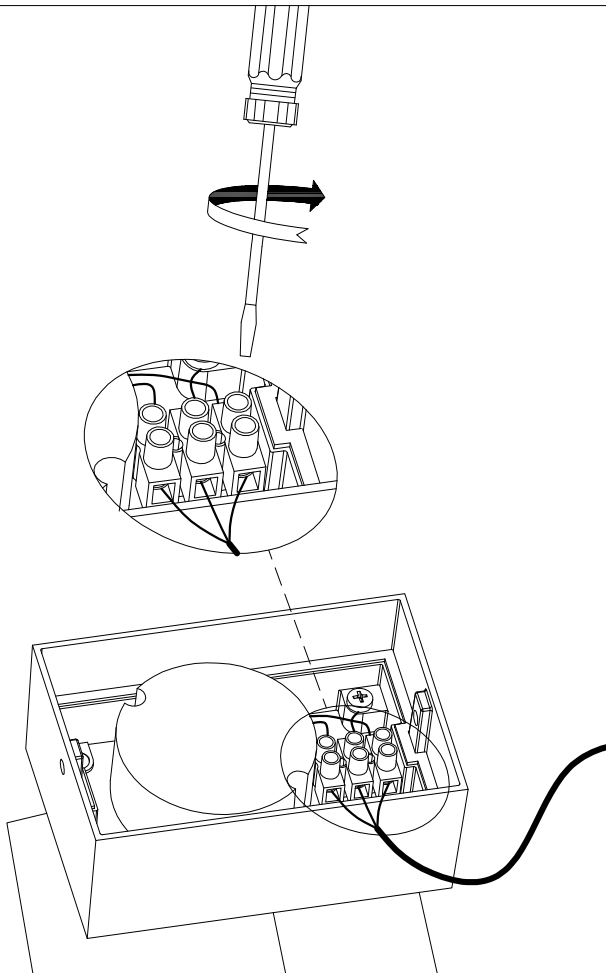
①



②



③



④

