

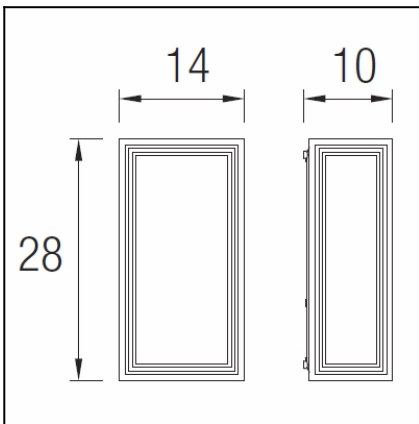
**OUT** 

# THOMAS

## 05-9686-Z5-M1



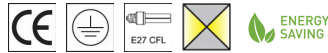
The photograph may not match the reference exactly. Please read the product description to identify the finish.



Download photometric file .ldt /.ies

### TECHNICAL CHARACTERISTICS

Type:	Wall fixture
IP Protection degrees:	IP44
Lampholder:	1 x E27
Power (W):	E27 max.23W
Voltage / Frequency:	220-240V/50-60Hz
Warranty (Years):	2
Units per box:	8
Net Weight (Kg):	1.48
EAN:	8,43538E+12



### MATERIALS / FINISHES

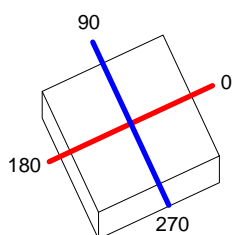
**Structure material:** Injected aluminium  
**Structure finish:** Urban grey

**Diffuser material:** Polycarbonate  
**Diffuser finish:** Opal

<b>Luminaire</b>		<b>Measur.</b>		<b>Lamp</b>		
Code	05-9686	Code	05-9686	Code	E27	
Name	outdoor	Name	outdoor	Number	1	
Line	Thomas	Date	17-12-2013	Position		
Efficiency	42.14%	Coordinate system	CG	Total Flux	1200.00 lm	
Maximum value	109.65 cd	Position	C=180.00 G=1.00	Asymmetrical		
Rectangular Luminaire	Length	1 mm	Width	1 mm	Height	1 mm
Rectangular Luminous Area	Length	1 mm	Width	1 mm	Height	1 mm
Horizontal Luminous Area	0.000001 m2	Emitting area on Plane 180°		0.000001 m2		
Emitting area on Plane 0°	0.000001 m2	Emitting area on Plane 270°		0.000001 m2		
Emitting area on Plane 90°	0.000001 m2	Glare area at 76°		0.000001 m2		
Symmetry Type	Asymmetrical	Maximum Gamma Angle		180		
Measurement Distance	0.00	Measurement Flux		1200.00 lm		
Operator		Source voltage				
Temperature	25.00 °C	Source current				
Humidity	60.00 %	Photocell				
Notes						

Luminaire Lamps						
Line	Code	Name	Flux [lm]	Pow. [W]	Q.ty	
IESNA-1995	E27	05-9686 - 21.80 W	1200.00	21.80	1	
C.I.E.	36 65 86 79 42	D DIN 5040				B21
F UTE	0.33 H + 0.09 T	B NBN				BZ 6

1mm x 1mm



**C Halfplanes**

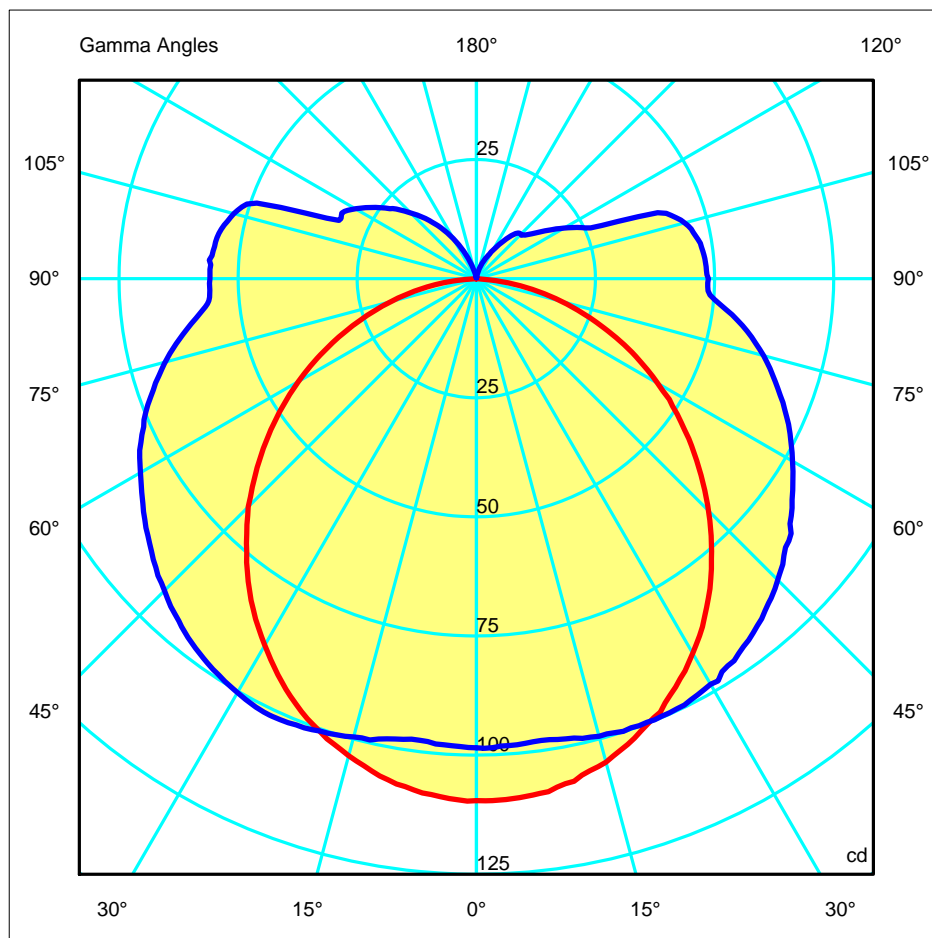
180.0 — 0.0

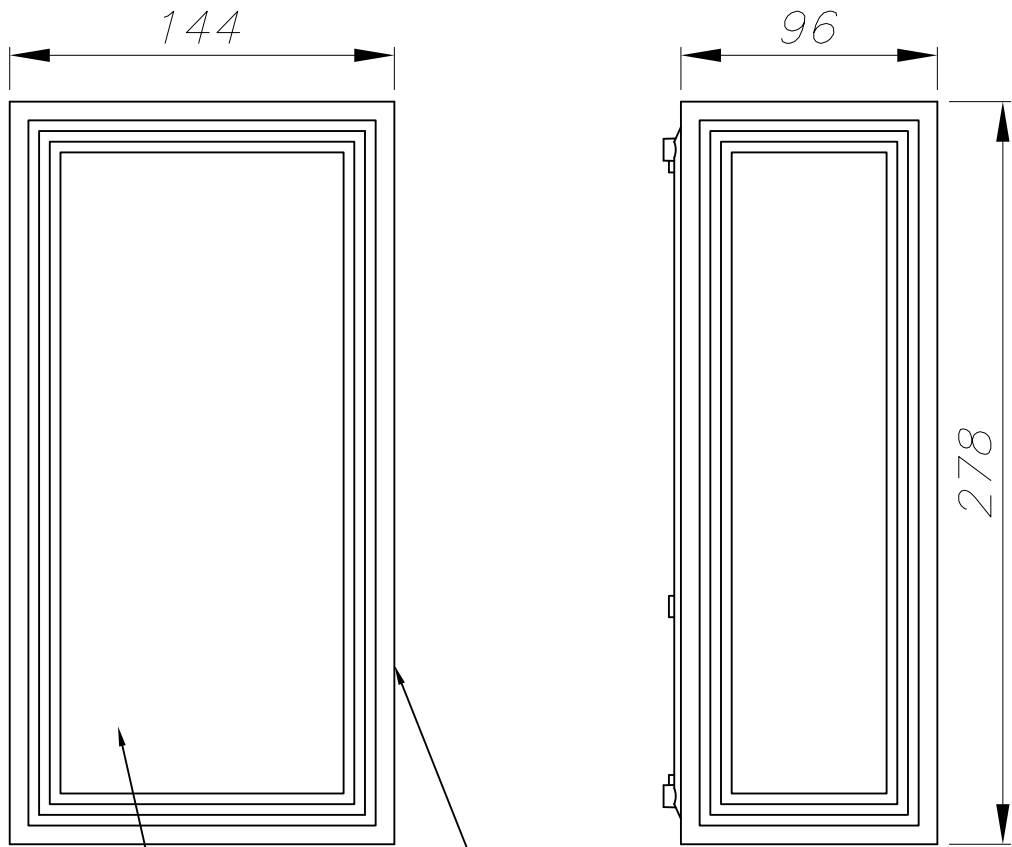
270.0 — 90.0

ULOR 8.99 %

DLOR 33.15 %

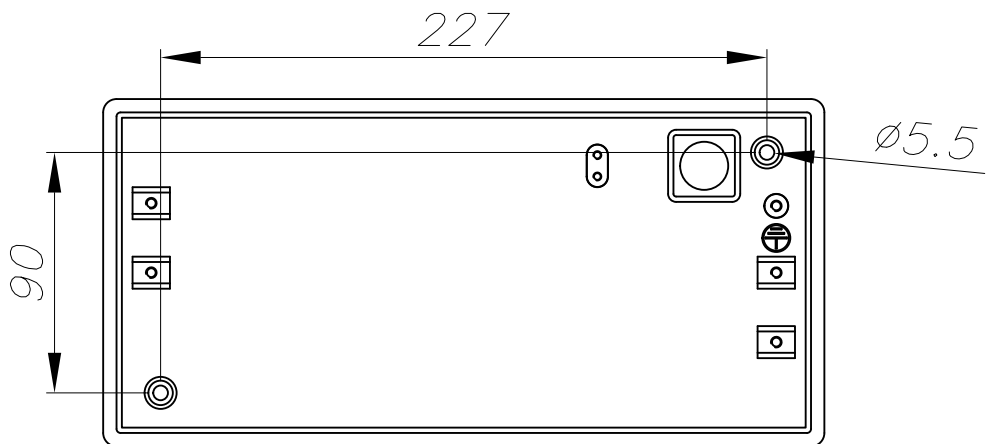
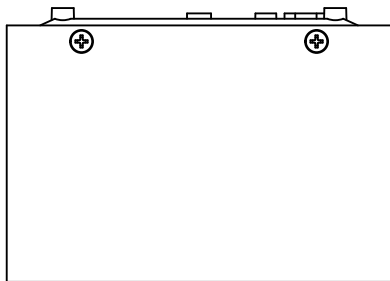
RN 21.32 %





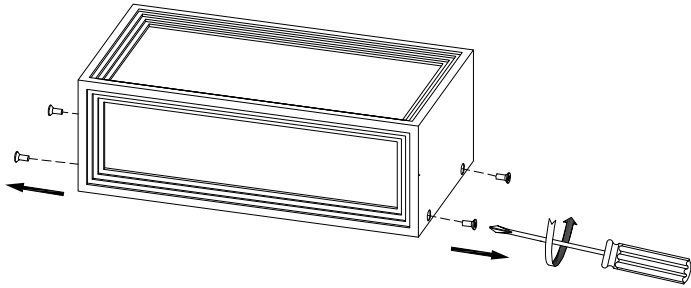
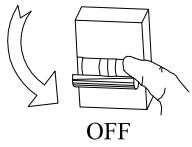
PC OPAL  
OPAL PC

ALUMINIO INYECTADO  
INJECTED ALUMINUM

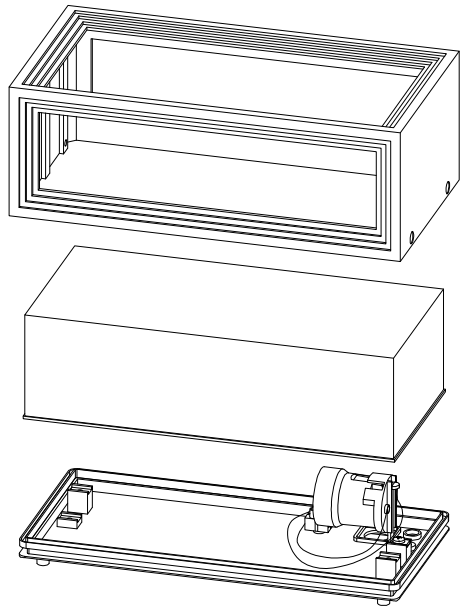


PLANTILLA DE INSTALACIÓN  
INSTALLATION TEMPLATE

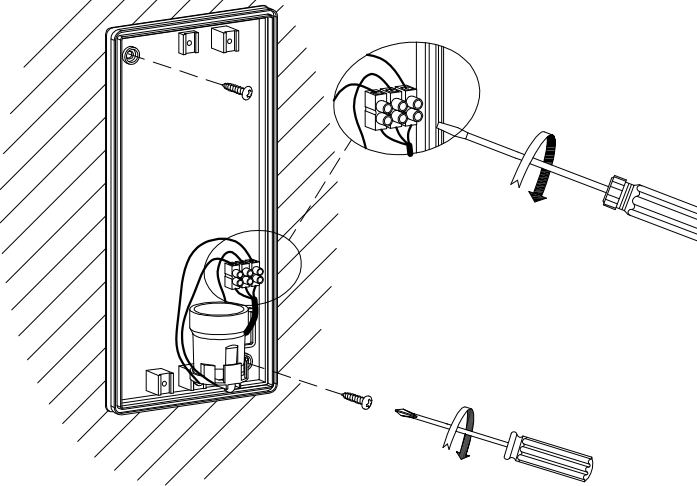
①



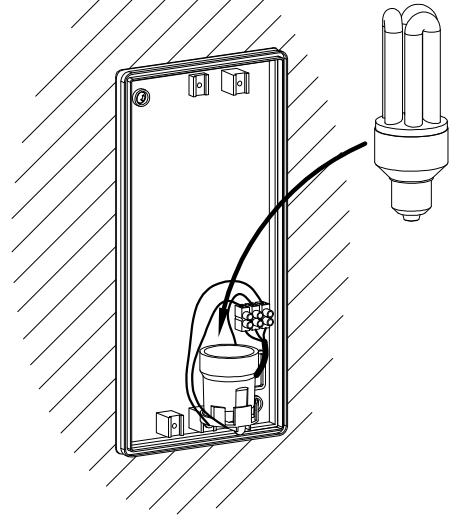
②



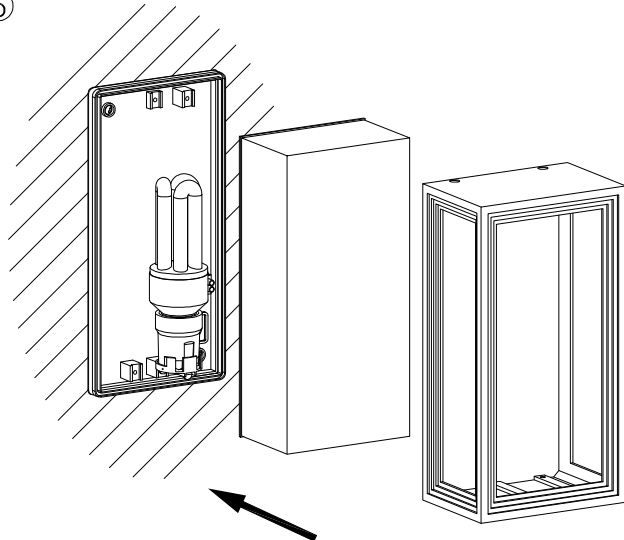
③



④



⑤



⑥

