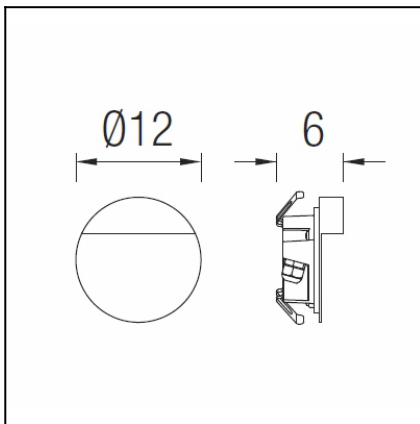




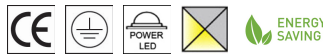
The photograph may not match the reference exactly. Please read the product description to identify the finish.



Download photometric file .ldt / .ies

TECHNICAL CHARACTERISTICS

Type:	Downlight
IP Protection degrees:	IP65
IK Protection degrees:	IK08
Bulb:	1 x LED Cree. Neutral white - 4200K
Power (W):	3W
Luminous efficacy (Lm/W):	94, 94
Voltage / Frequency:	100-240V/50-60Hz
Warranty (Years):	2
Option to extend the guarantee:	Yes, 5 years
Units per box:	8
Net Weight (Kg):	0.295
EAN:	8,43538E+12



MATERIALS / FINISHES

Structure material:	Injected aluminium	Diffuser material:	Glass
Structure finish:	Grey	Diffuser finish:	Transparent

GEAR

Multi-voltage electronic gear included (110-240 V / 50-60 Hz)

Report No.: 11

Test Time: 2013-1-19 12:13

Luminaire Property

Luminaire Manufacturer: LEDS-C4
 Luminaire Category:
 Lamp Catalog:
 Number of Lamps: 1
 Luminous Length (mm): 70
 Luminous Height (mm): 10
 Current: 0.039 A
 Power Factor: 0.454

Luminaire Description: 05-9705
 Lamp Description: LED
 Lumens per Lamp: 162
 Luminous Width (mm): 10
 Voltage: 220.6 V
 Power: 3.90 W

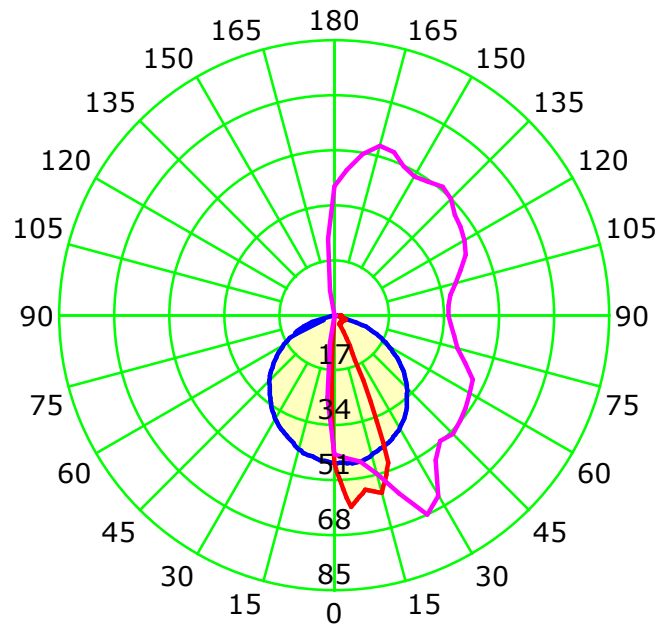
Photometric Results

CIE Class: Direct
 Measurement Flux: 41.4 lm
 Downward Ratio: 25.51%
 Field Angle: H146.7 V33.4
 Luminaire Efficacy Rating (LER): 11
 Max. Intensity: 68.2 cd

Total Rated Lamp Lumens: 162.0 lm
 Efficiency: 25.53%
 Upward Ratio: 0.02%
 Beam Angle: H109.8 V25.3
 Central Intensity: 45.88 cd
 Pos of Max. Intensity: H25 V22

Picture Of Luminaire ...

Luminous Intensity Distribution Curve

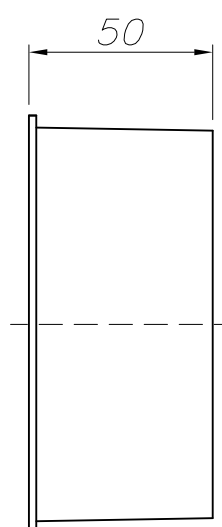
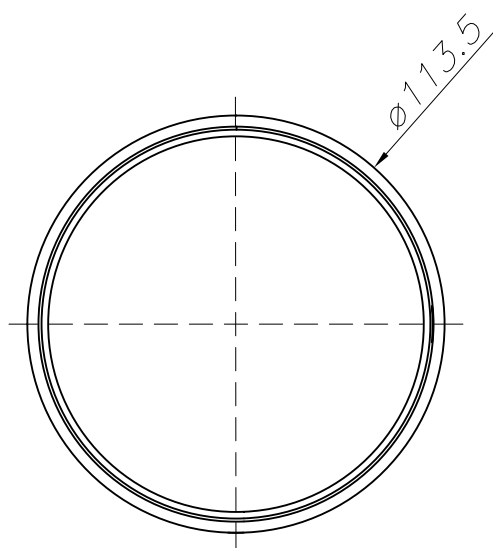
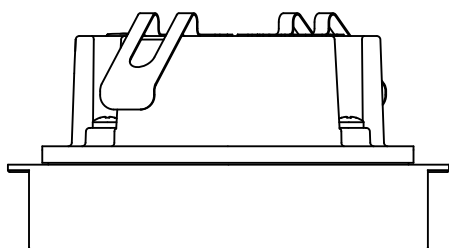
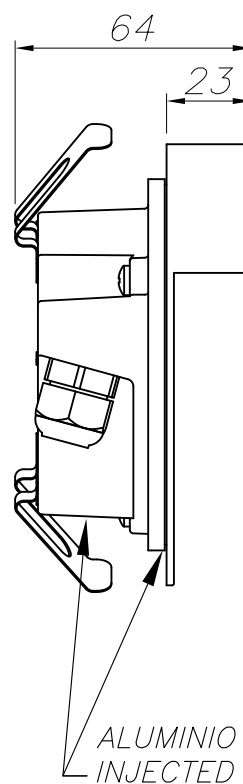
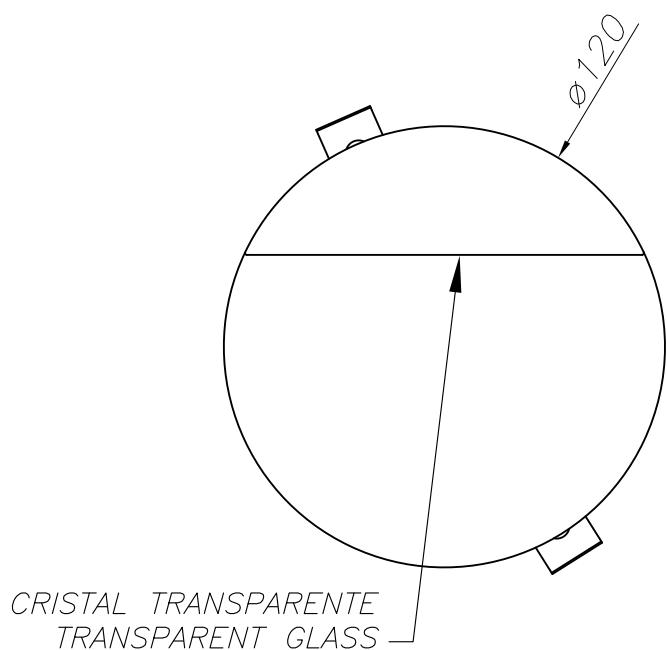


Unit: cd

— C0-C180 — C90-C270 — G22

C Plane (°):0.0-360.0: 5.0
 Test Lab: INVENTFINE
 Test Type: TYPE C
 Temperature:
 Operator:

Gamma Plane (°):0.0-180.0:1.0
 Test Device: GPM-1800B
 Distance: 1.871 m
 Humidity:
 Inspector:



CAJA DE EMPOTRAR
FLUSH FITTING BOX

