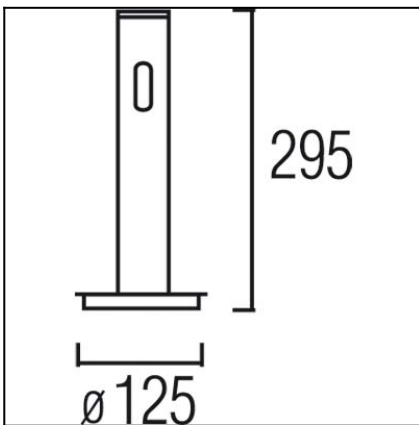


Design by Josep Patsí

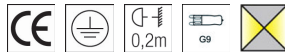


The photograph may not match the reference exactly. Please read the product description to identify the finish.



TECHNICAL CHARACTERISTICS

Type:	Table lamp
IP Protection degrees:	IP20
Lampholder:	1 x G9
Power (W):	G9 MAX 60W
Bulb included:	1 x G9 60W
Total power consumption (W):	60
Voltage / Frequency:	220-240V/50-60Hz
Units per box:	6
Net Weight (Kg):	0.835
EAN:	8435111025888



MATERIALS / FINISHES

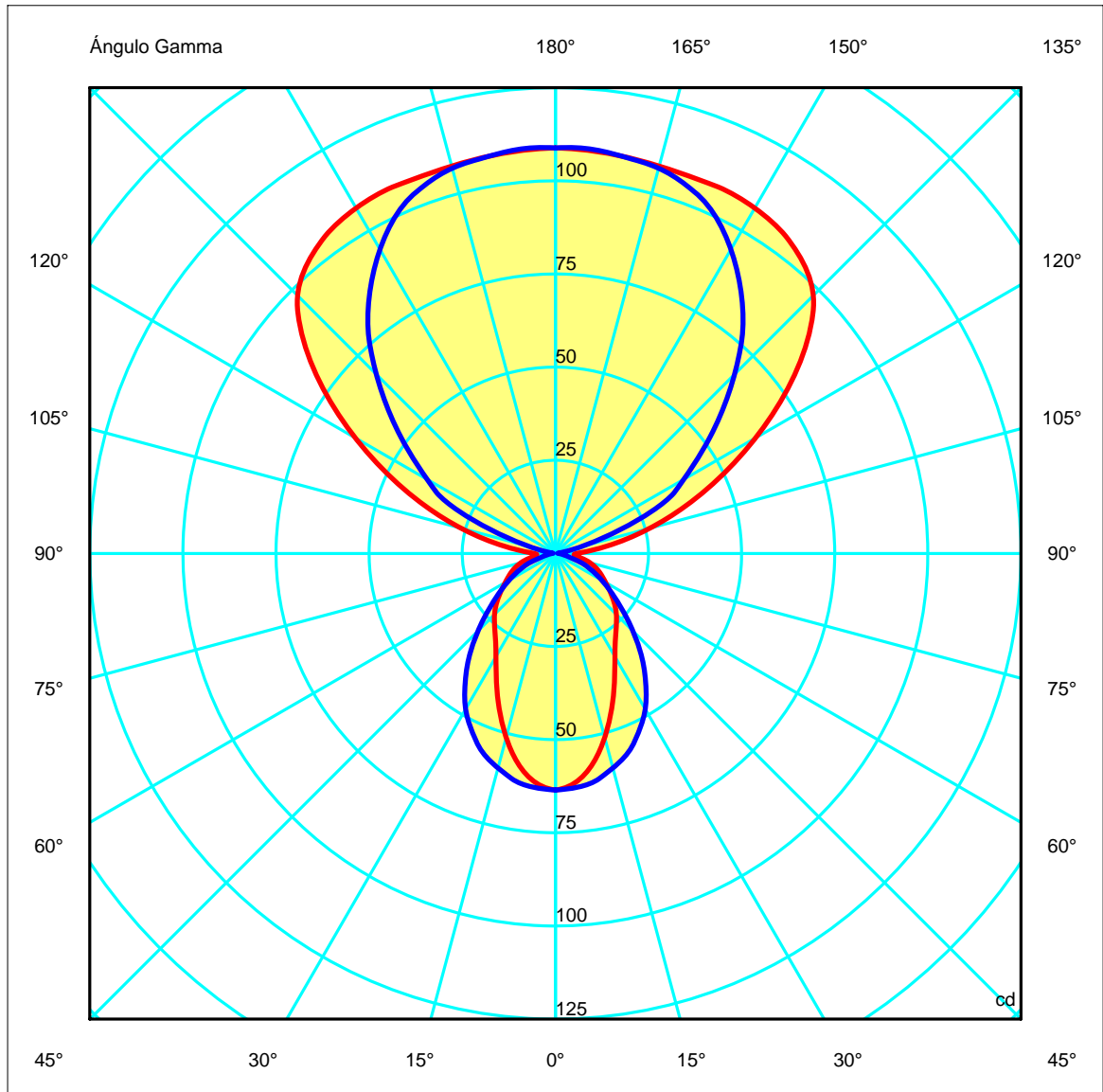
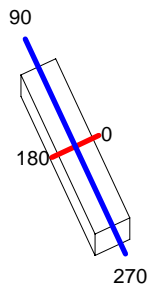
Structure material:	Satin aluminium	Diffuser material:	Glass
		Diffuser finish:	Tinted

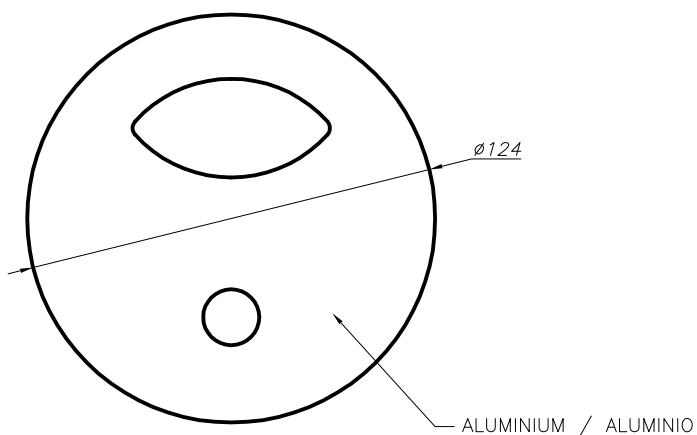
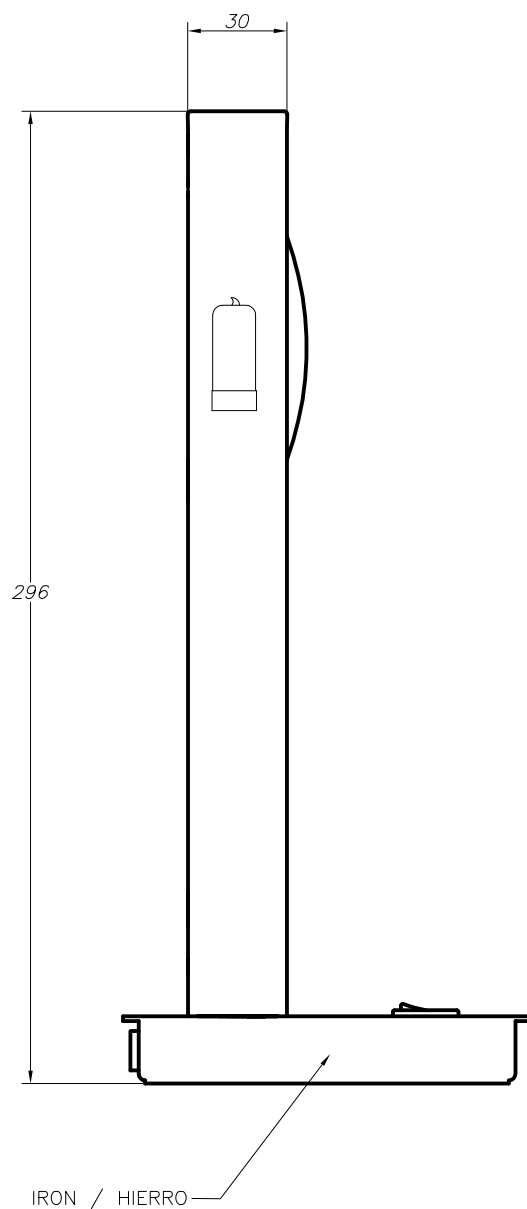
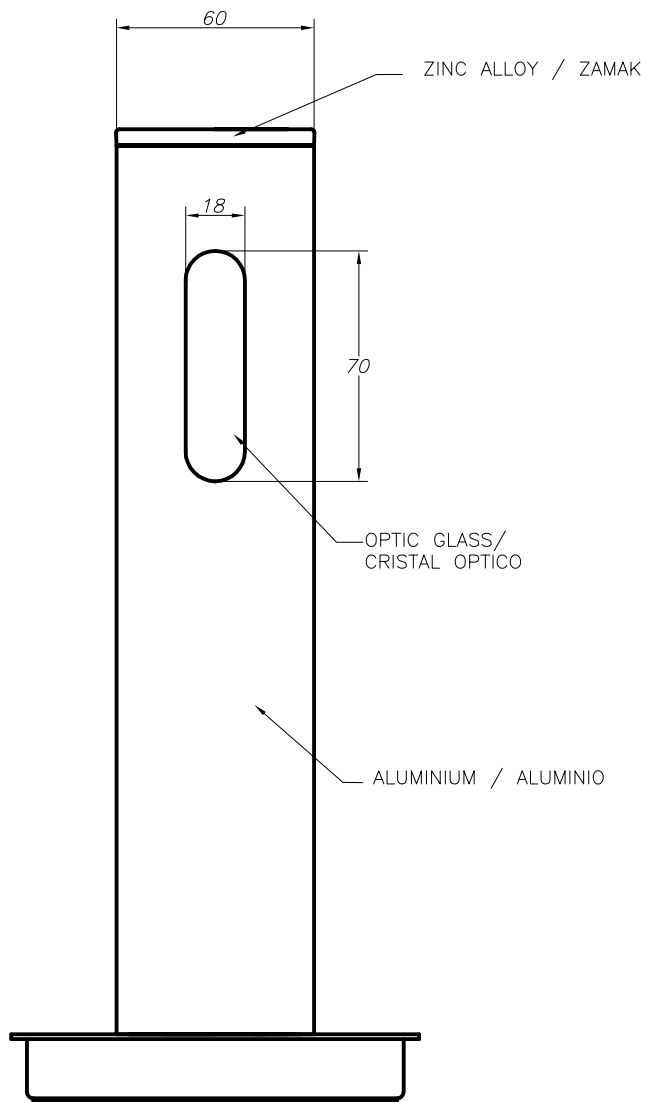
[Download photometric file .ldt / .ies](#)

Luminaria		Ensayo		Lámpara	
Código	10-0221-21-F1	Código	10-0221-21-F1	Código	66660AM
Nombre	Sobremesa ADAGIO 1x60W G9	Nombre	Sobremesa ADAGIO 1x60W G9	Número	1
Familia	- LEDS-C4	Fecha	29-03-2010	Posición	Universal
Eficiencia	59.46%	Sist. de Coord.	C-G	Flujo Total	790.00 lm
Valor Máximo	108.97 cd	Posición	C=90.00 G=175.00	Bisimétrico	

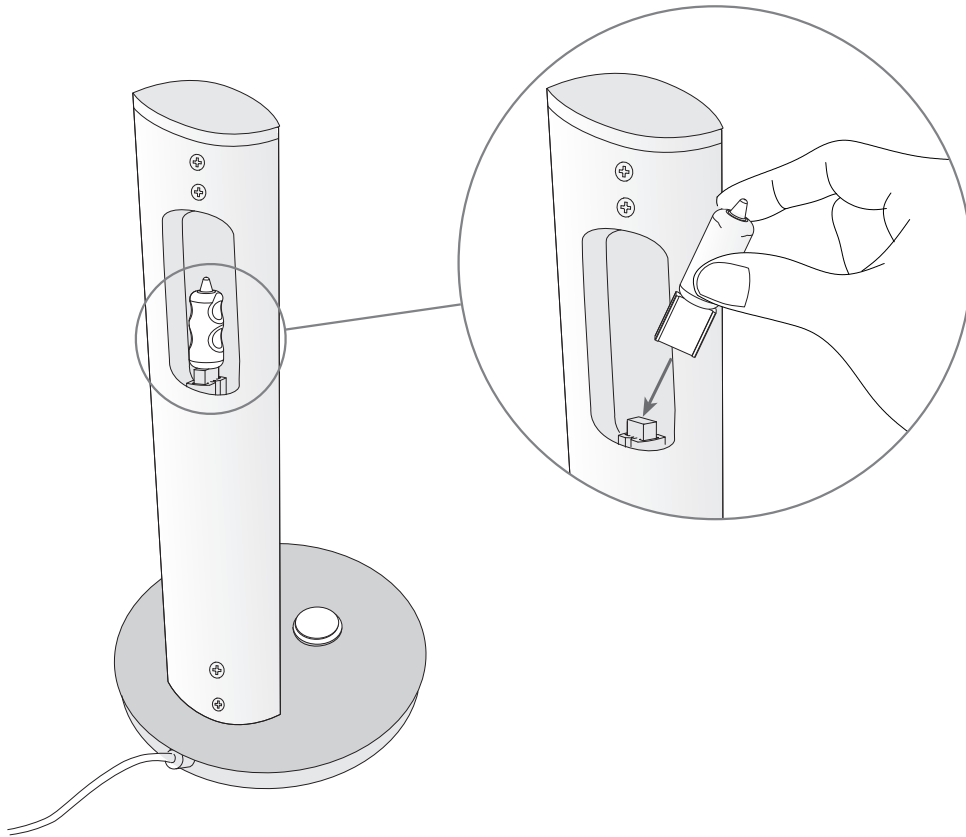
275mm x 60mm

Semiplanos C





1



2

