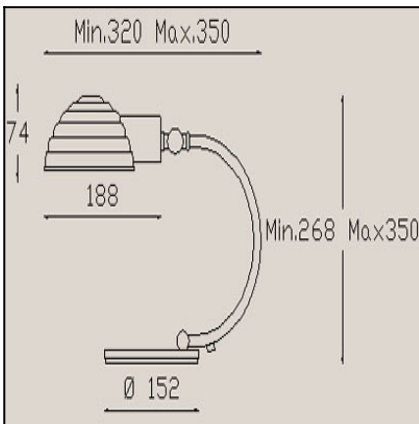


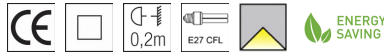


The photograph may not match the reference exactly. Please read the product description to identify the finish.



TECHNICAL CHARACTERISTICS

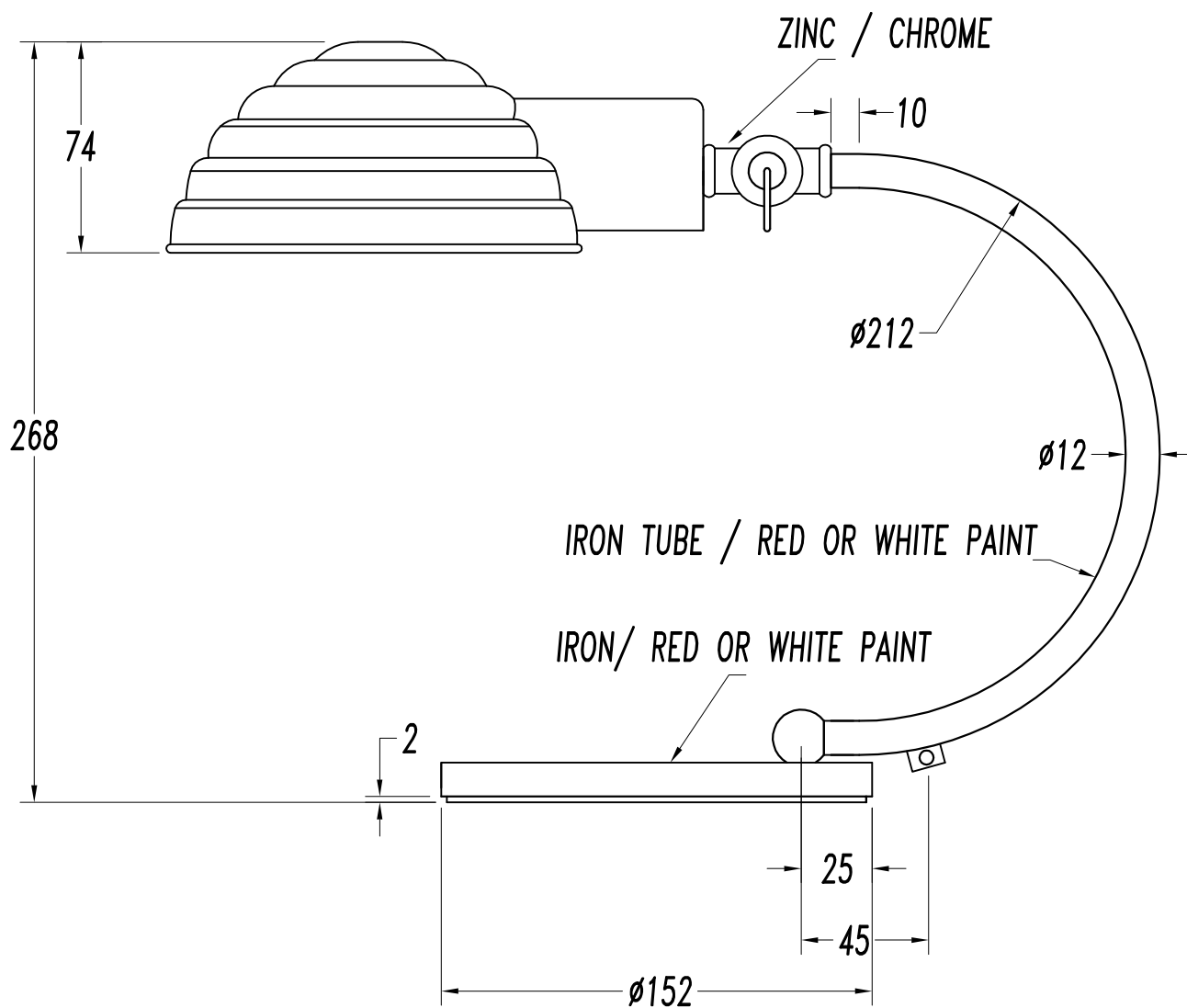
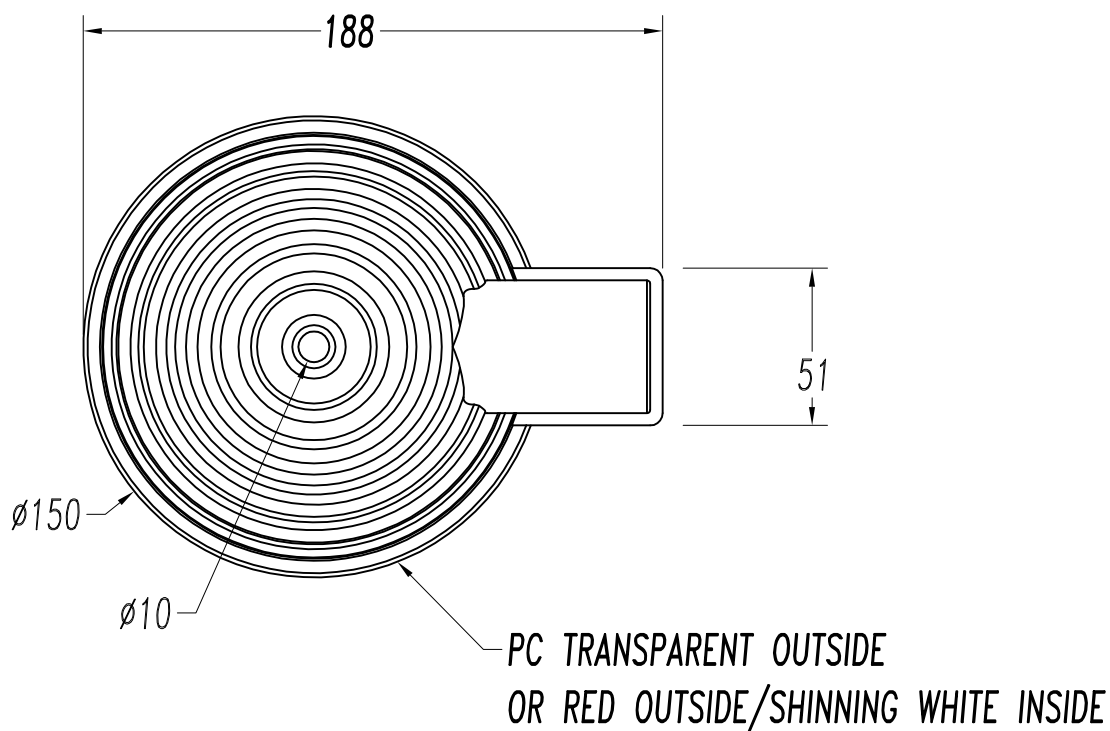
Type:	Table lamp
Adjustable $\pm 180^\circ$ on the horizontal axis.	
IP Protection degrees:	IP20
Lampholder:	1 x E27
Power (W):	E27 MAX 18W
Voltage / Frequency:	220-240V/50-60Hz
Units per box:	6
Net Weight (Kg):	1.705
EAN:	8435111092149



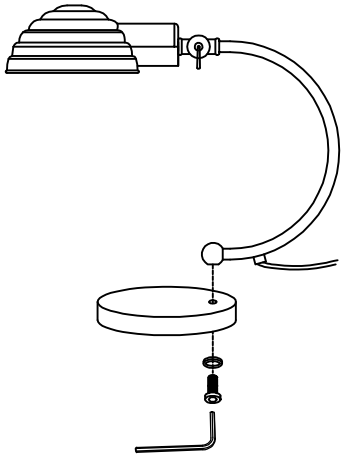
MATERIALS / FINISHES

Structure material: Steel Aluminium	Diffuser material: Polycarbonate
Structure finish: White White	Diffuser finish: White

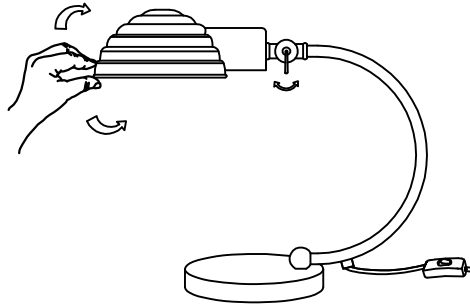
Download photometric file .ldt / .ies



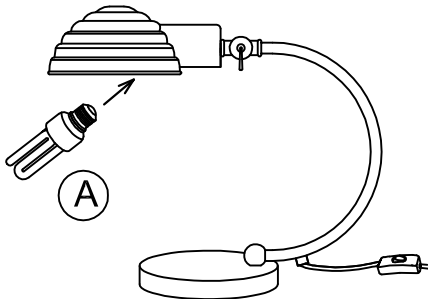
1



2



3



4

