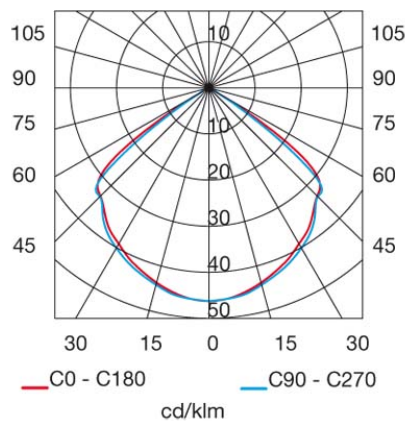
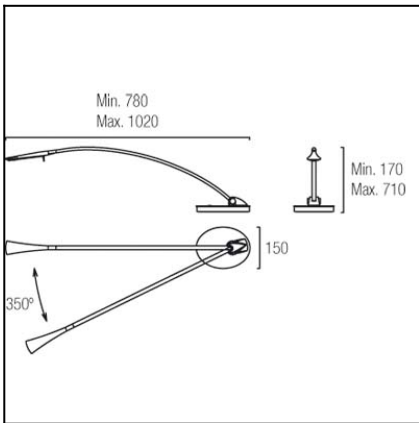


Design by Josep Patsí



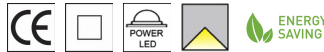
The photograph may not match the reference exactly. Please read the product description to identify the finish.



Download photometric file .ldt /.ies

TECHNICAL CHARACTERISTICS

Type:	Table lamp
Adjustable $\pm 180^\circ$ on the vertical axis	
IP Protection degrees:	IP20
Bulb:	1 x LED Cree. Warm White - 3000K
Power (W):	4.5W
Luminous efficacy (Lm/W):	70
Voltage / Frequency:	110-240V/50-60Hz
Warranty (Years):	2
Option to extend the guarantee:	Yes, 5 years
Units per box:	1
Net Weight (Kg):	2.871
EAN:	8435111053645,00



MATERIALS / FINISHES

Structure material: Aluminium

Diffuser material: Polycarbonate

Structure finish: Chrome

Diffuser finish: Transparent

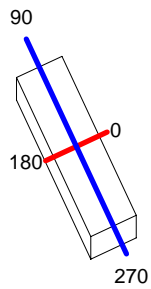
GEAR

Multi-voltage electronic gear included (110-240 V / 50-60 Hz)

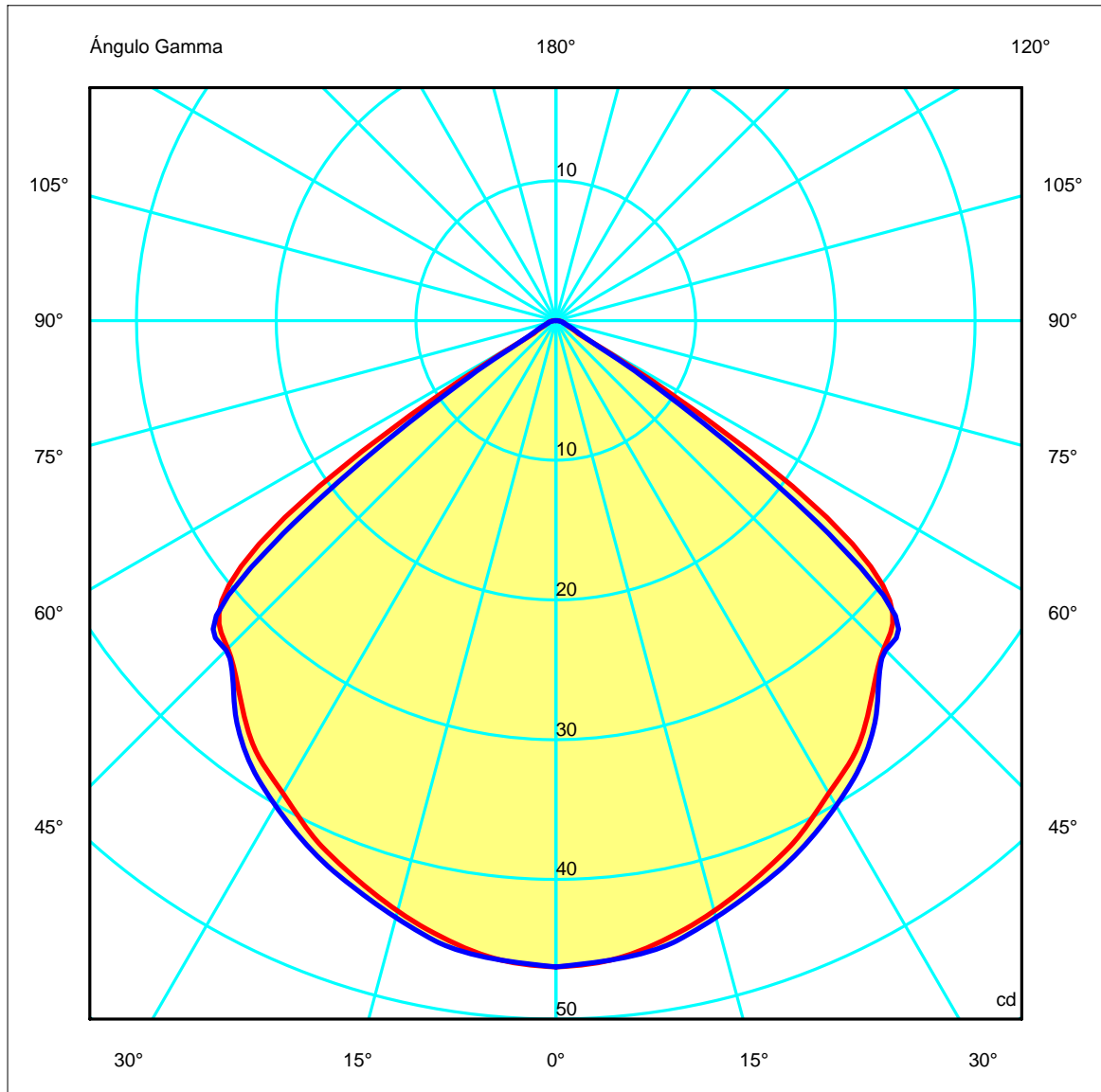
Luminaria		Ensayo		Lámpara	
Código	10-2708-21-21	Código	05-2708-21-21	Código	LAMP 05-2708-21-21
Nombre	Sobremesa OPEN 4.5W led	NombreAplicación	OPEN 4.5W led	Número	1
Familia	- LEDS C4 LEDS	Fecha	08-04-2010	Posición	Universal
Eficiencia	100.00%	Sist. de Coorden.	C-G	Flujo Total	101.19 lm
Valor Máximo	46.26 cd	Posición	C=0.00 G=0.00	Bisimétrico	

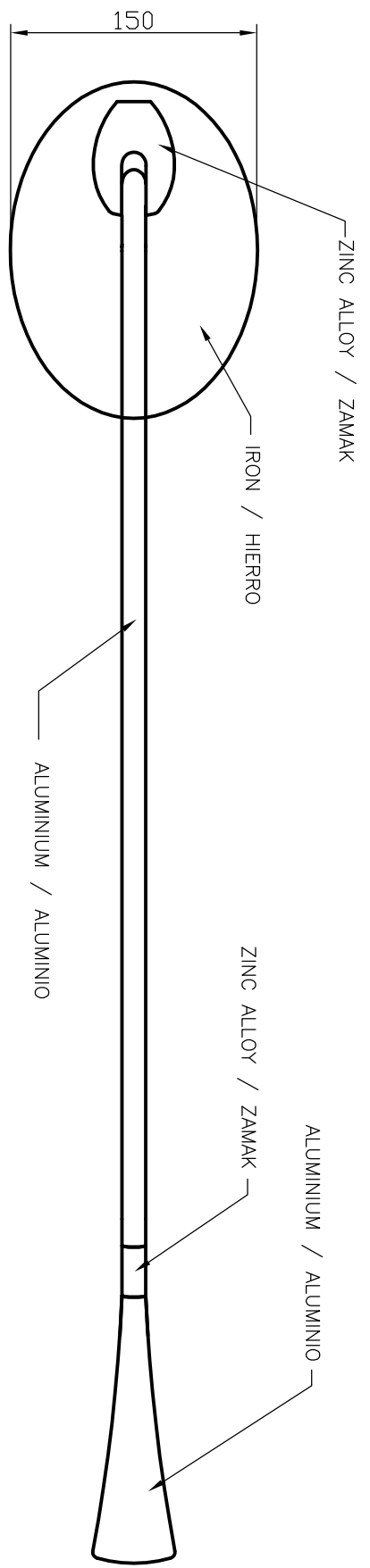
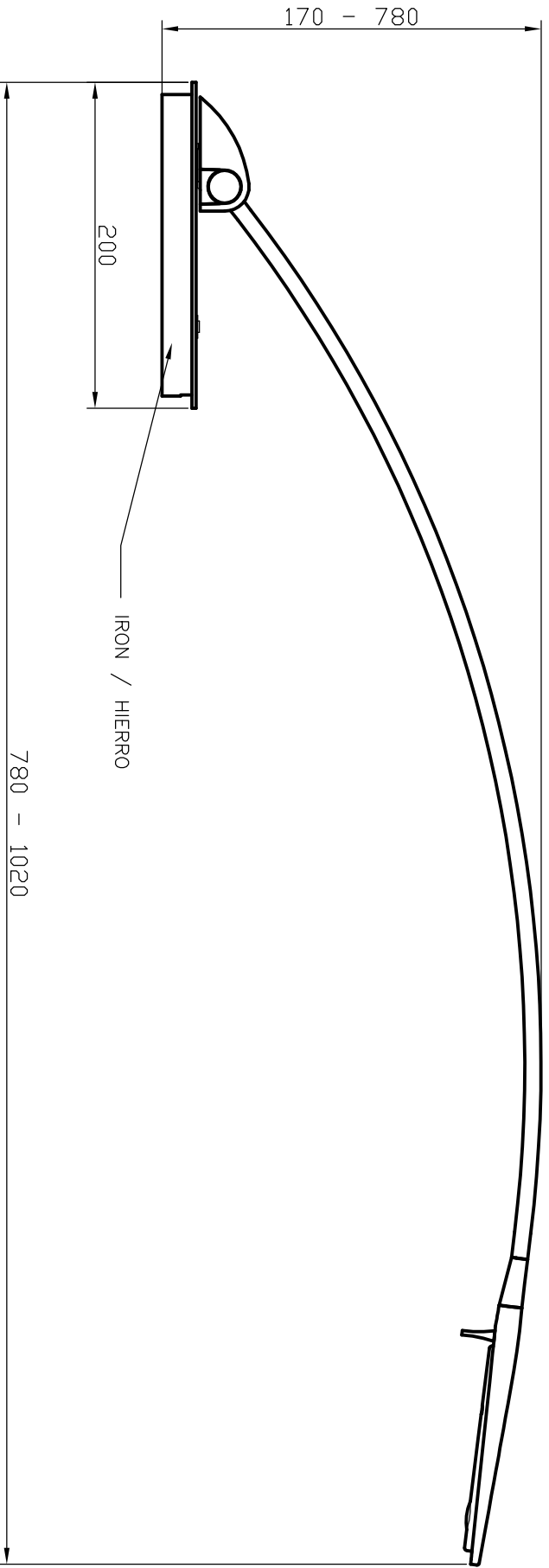
175mm x 50mm

Semiplanos C

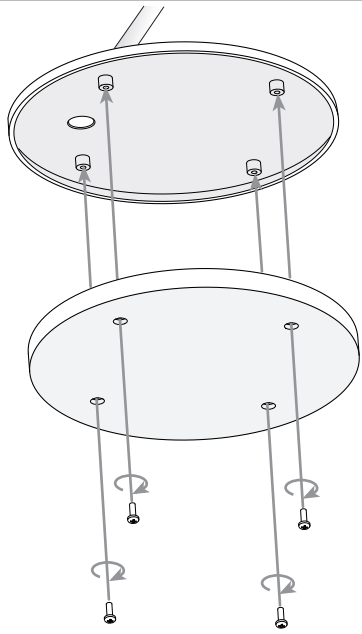


180.0 ——— 0.0
270.0 ——— 90.0

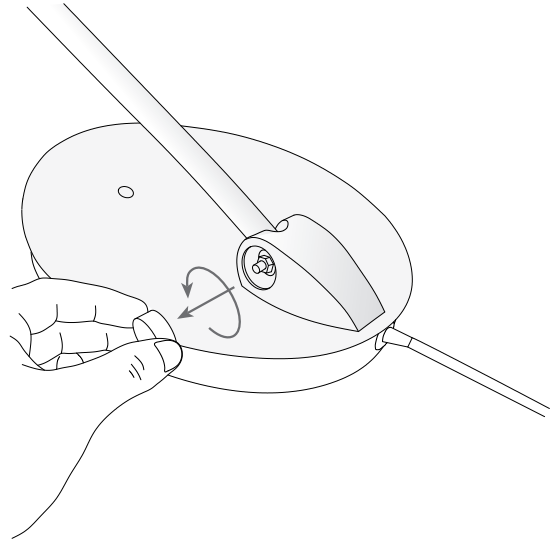




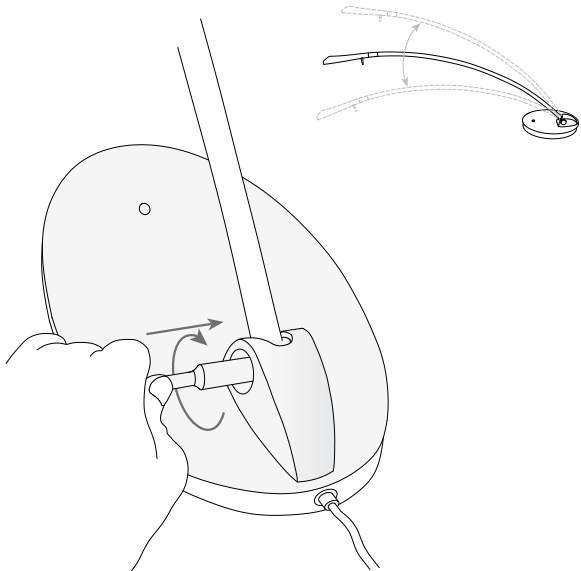
1



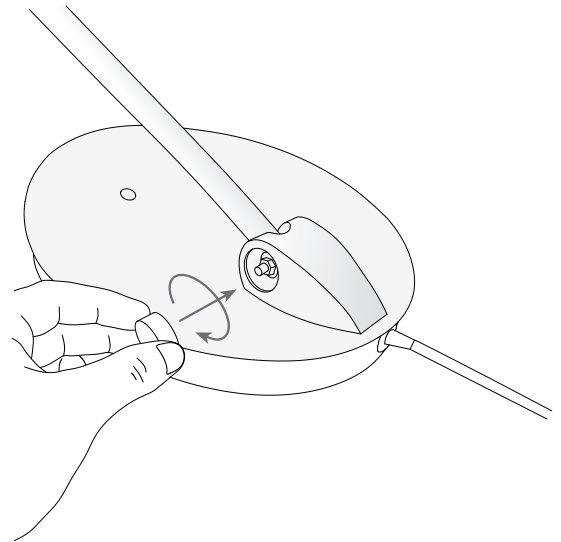
2



3



4



5

