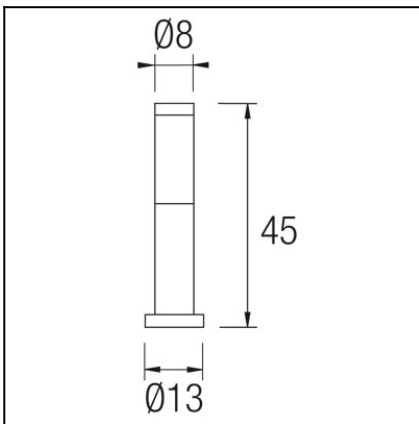




The photograph may not match the reference exactly. Please read the product description to identify the finish.



Download photometric file .ldt /.ies

### TECHNICAL CHARACTERISTICS

Type:	Lantern
IP Protection degrees:	IP55
Lampholder:	1 x E27
Power (W):	E27 MAX 23W
Total power consumption (W):	23
Voltage / Frequency:	230V/50-60Hz
Units per box:	4
Net Weight (Kg):	0.805
EAN:	8435071401975

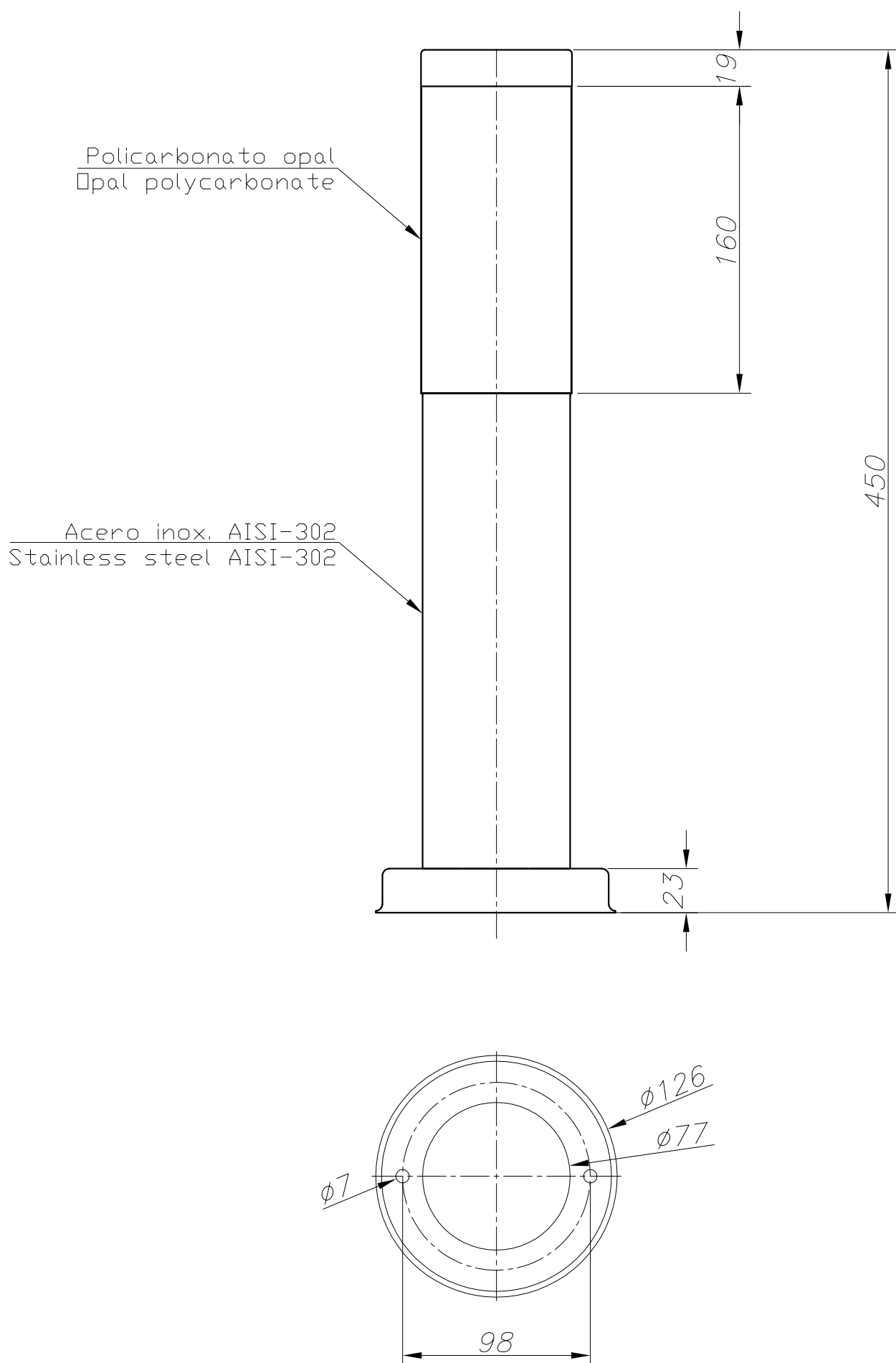


### MATERIALS / FINISHES

**Structure material:** Stainless steel  
AISI202

**Diffuser material:** Polycarbonate

**Diffuser finish:** Opal





LEDS-C4

OUTDOOR

10-8790  
55-8790

