

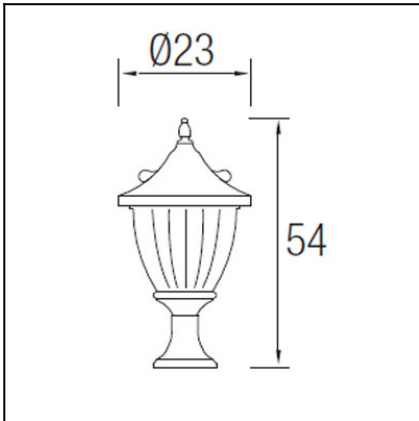
OUT 

GALATEA

10-9151-18-E7



The photograph may not match the reference exactly. Please read the product description to identify the finish.



Download photometric file .ldt /.ies

TECHNICAL CHARACTERISTICS

Type:	Lantern
IP Protection degrees:	IP23
Lampholder:	1 x E27 1 x E27
Power (W):	E27 max. 100W E27 PL max. L=167mm Diam=51mm
Voltage / Frequency:	220-240V/50-60Hz
Units per box:	4
Net Weight (Kg):	2.88
EAN:	8435111035603



MATERIALS / FINISHES

Structure material: Injected aluminium

Diffuser material: Glass

Structure finish: Oxide brown

Diffuser finish: Transparent

NO

APLICA

NO

APLICA