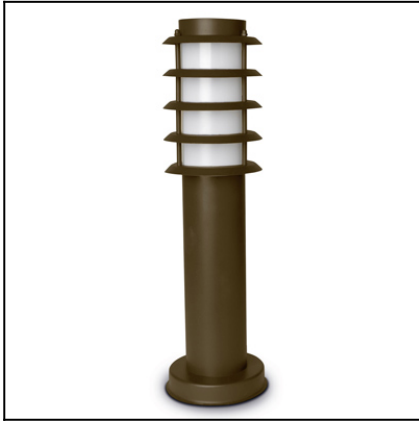


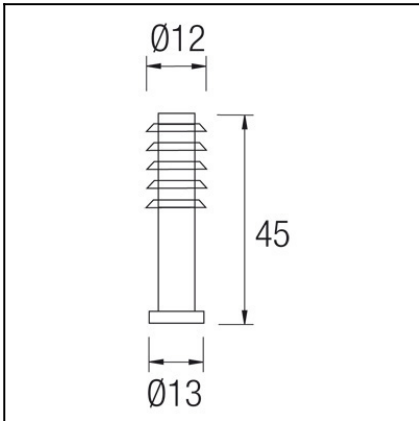
**OUT** 

# ELECTRA

## 10-9333-J6-M1



The photograph may not match the reference exactly. Please read the product description to identify the finish.



Download photometric file .ldt /.ies

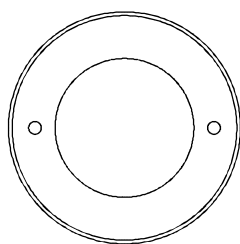
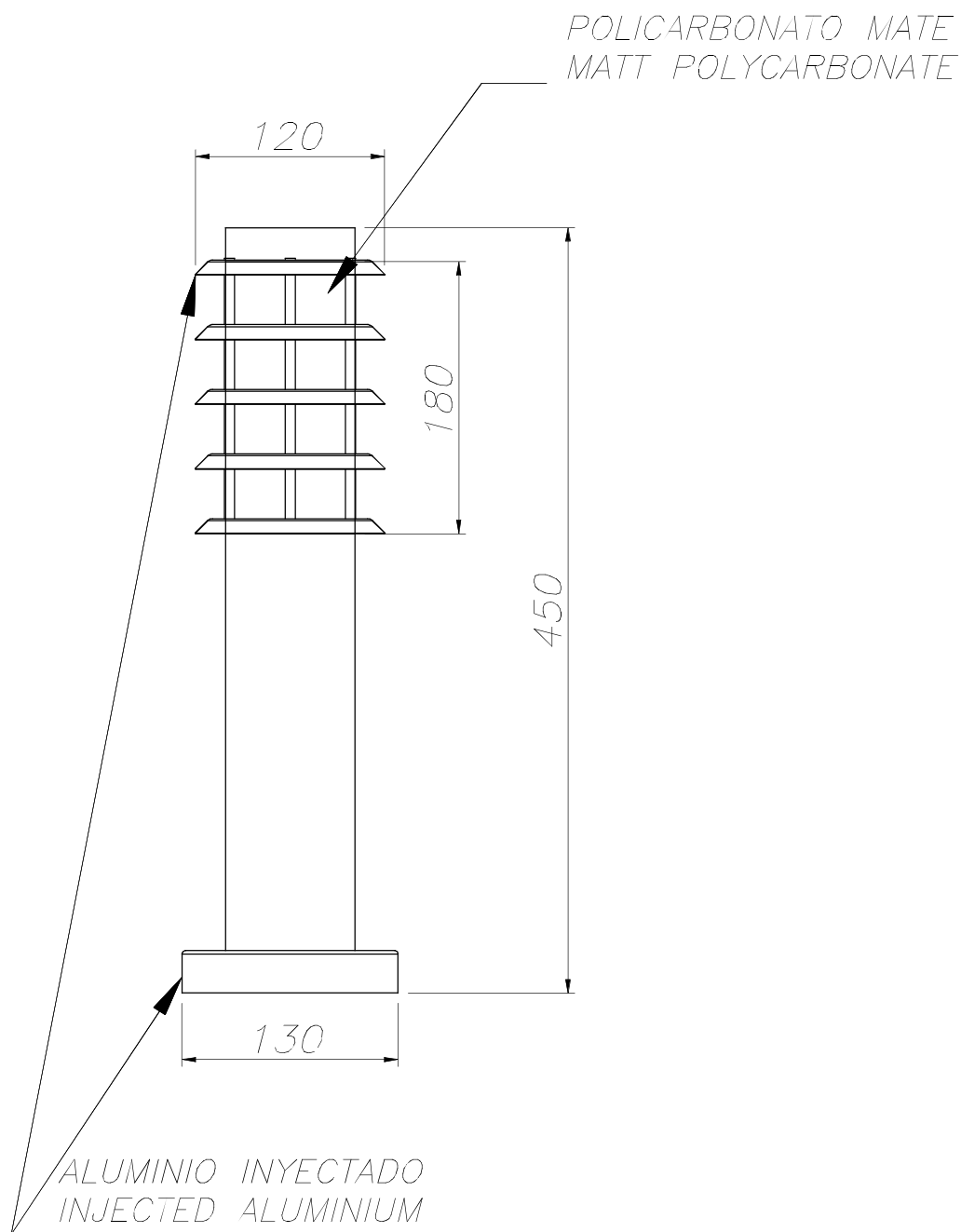
### TECHNICAL CHARACTERISTICS

Type:	Beacon
IP Protection degrees:	IP55
Lampholder:	1 x E27
Power (W):	E27 MAX.100
Total power consumption (W):	100
Voltage / Frequency:	220-240V/50-60Hz
Units per box:	4
Net Weight (Kg):	0.93
EAN:	8435111066911



### MATERIALS / FINISHES

<b>Structure material:</b>	Stainless steel AISI202	<b>Diffuser material:</b>	Polycarbonate
<b>Structure finish:</b>	Brown	<b>Diffuser finish:</b>	Opal

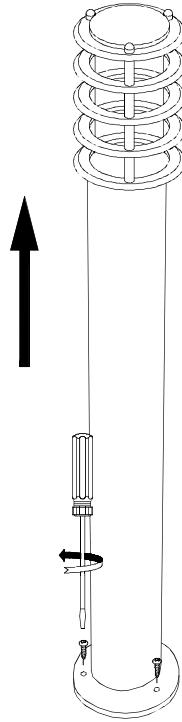




**LED S-C4**

**OUTD**

①



③

