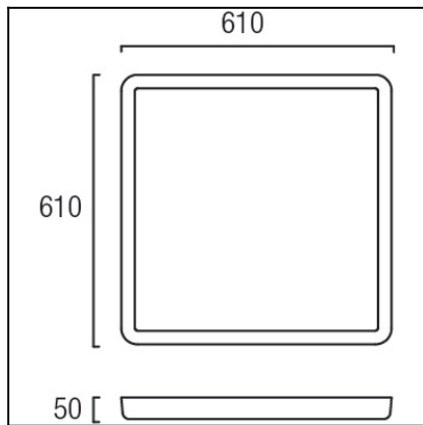
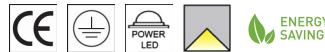


**Design by Josep Patsi**


The photograph may not match the reference exactly. Please read the product description to identify the finish.


**TECHNICAL CHARACTERISTICS**

Type:	Ceiling fixture
IP Protection degrees:	IP23
Bulb:	672 x LED Refond. Warm White - 3000K
Power (W):	48W
Total power consumption (W):	54
Luminous efficacy (Lm/W):	111
CRI:	70
Voltage / Frequency:	100-240V/50-60Hz
Warranty (Years):	2
Option to extend the guarantee:	Yes, 5 years
Units per box:	1
Net Weight (Kg):	8.11
EAN:	8435111093023,00


**MATERIALS / FINISHES**

**Structure material:** Polyurethane  
Aluminium

**Diffuser material:** Polystyrene

**Structure finish:** Matt white

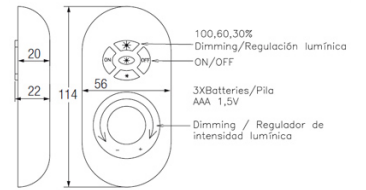
**Diffuser finish:** Opal

Download photometric file .ldt / .ies

**GEAR**

Multi-voltage electronic gear included (110-240 V / 50-60 Hz)

71-2241-00-00

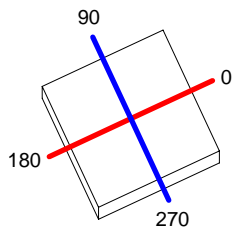


IP20

<b>Luminaire</b>		<b>Measur.</b>		<b>Lamp</b>		
Code	15-0003-BW-M1	Code	15-0003-BW-M1	Code	15-0003-BW-M1	
Name	Plafón led GROK 40W warm	Name	Plafón led GROK 40W warm	Number	1	
Line	- LEDS C4 LEDS	Date	11-03-2013	Position	Universal	
Efficiency	100.00%	Coordinate system	CG	Total Flux	3056.60 lm	
Maximum value	1070.56 cd	Position	C=0.00 G=0.00	Double Symmetrical		
Rectangular Luminaire	Length	615 mm	Width	615 mm	Height	55 mm
Rectangular Luminous Area	Length	550 mm	Width	550 mm	Height	0 mm
Horizontal Luminous Area	0.302500 m2	Emitting area on Plane 180°		0.000000 m2		
Emitting area on Plane 0°	0.000000 m2	Emitting area on Plane 270°		0.000000 m2		
Emitting area on Plane 90°	0.000000 m2	Glare area at 76°		0.073181 m2		
Symmetry Type	Double Symmetrical	Maximum Gamma Angle	90			
Measurement Distance	6.44	Measurement Flux	3056.60 lm			
Operator	Asselum T2	Source voltage	230.00 V			
Temperature	20.00 °C	Source current	PRC			
Humidity	57.00 %	Photocell				
Notes						

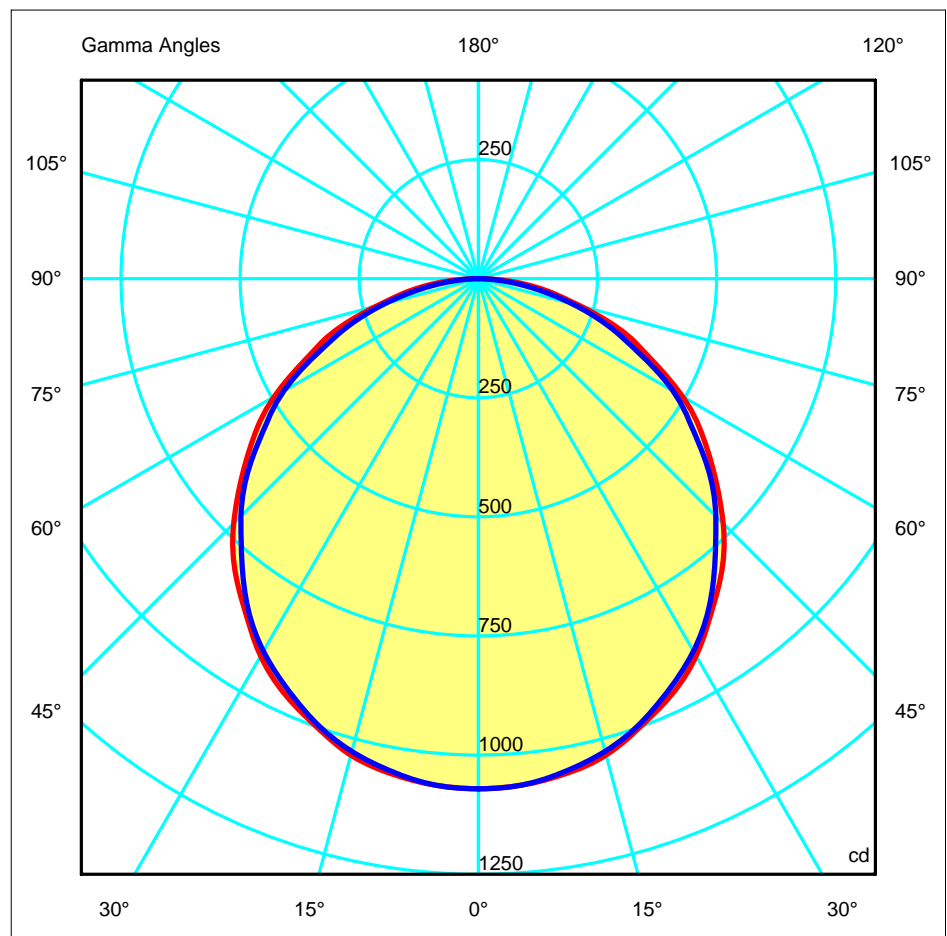
Luminaire Lamps						
Line	Code	Name	Flux [lm]	Pow. [W]	Q.ty	
- LEDS C4 LEDS	15-0003-BW-M1	Lámpara led blanco cálido 40W	3056.60	40.00	1	
C.I.E.	47 78 95	D DIN 5040				A30
F UTE	1.00 E	B NBN				BZ 5

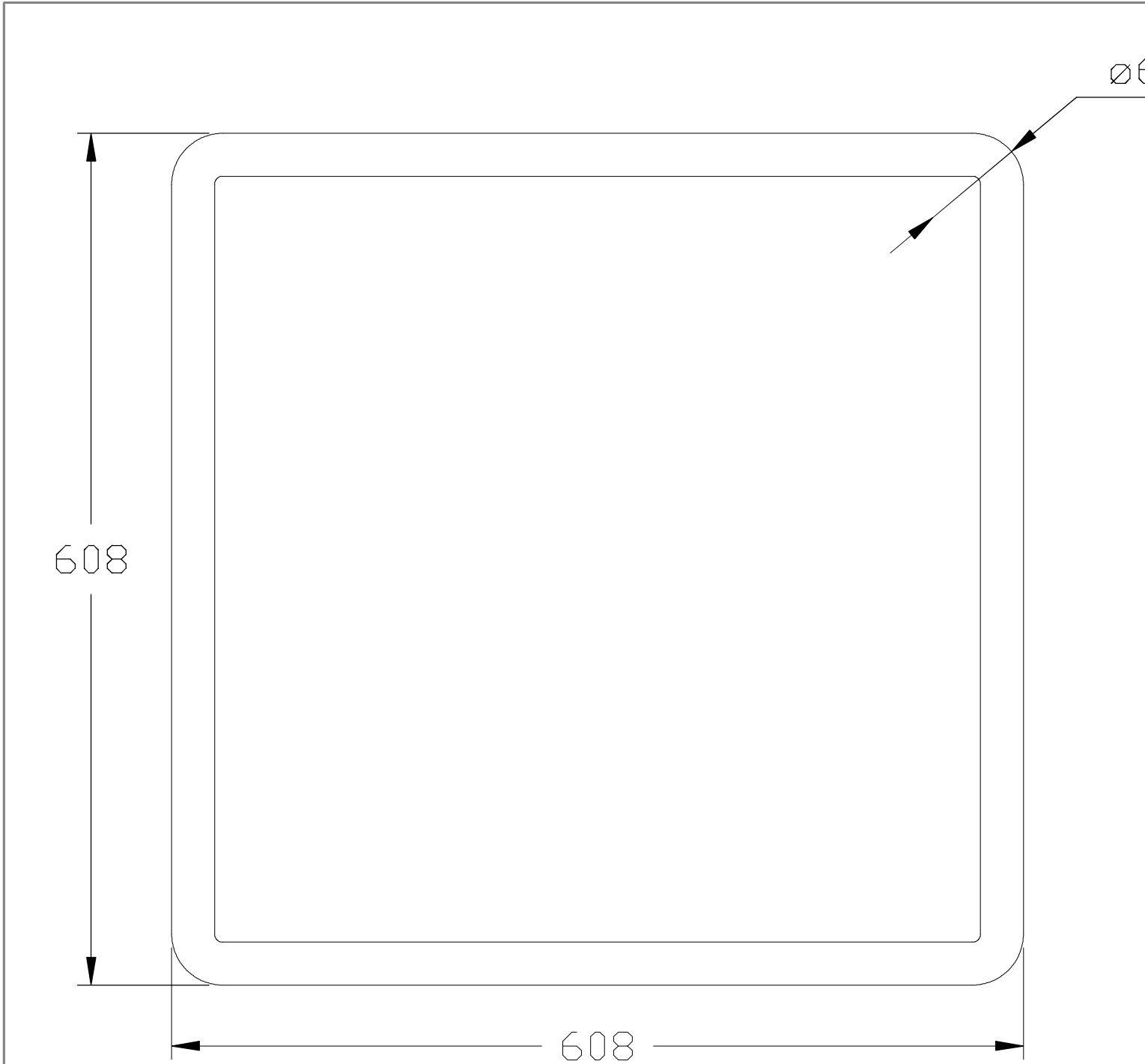
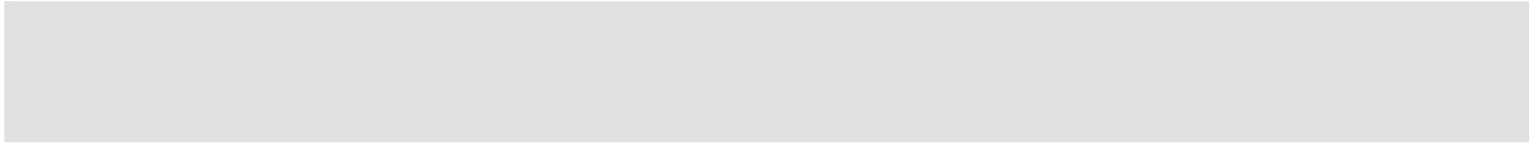
615mm x 615mm



C Halfplanes  
 180.0 — 0.0  
 270.0 — 90.0

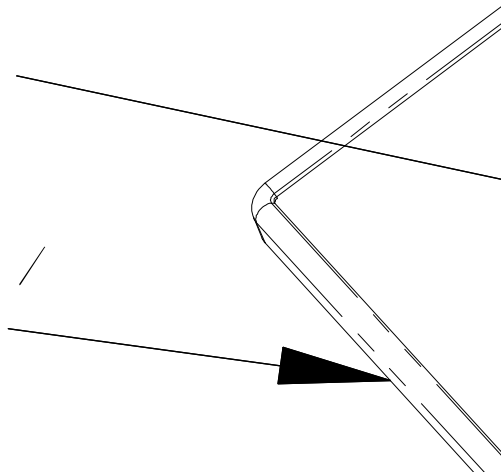
ULOR 0.00 %  
 DLOR 100.00 %  
 RN 0.00 %



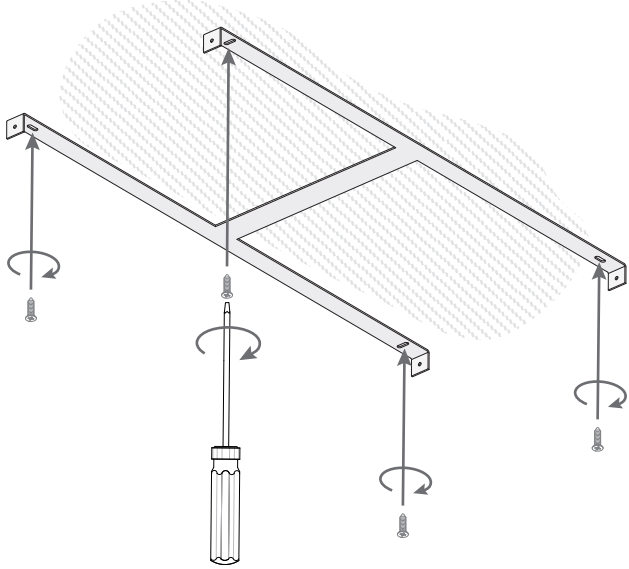


polystyrene /  
poliestireno

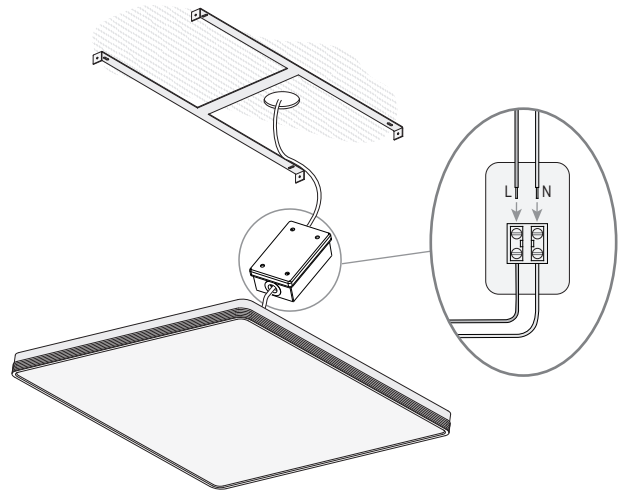
polyurethane /  
poliuretano



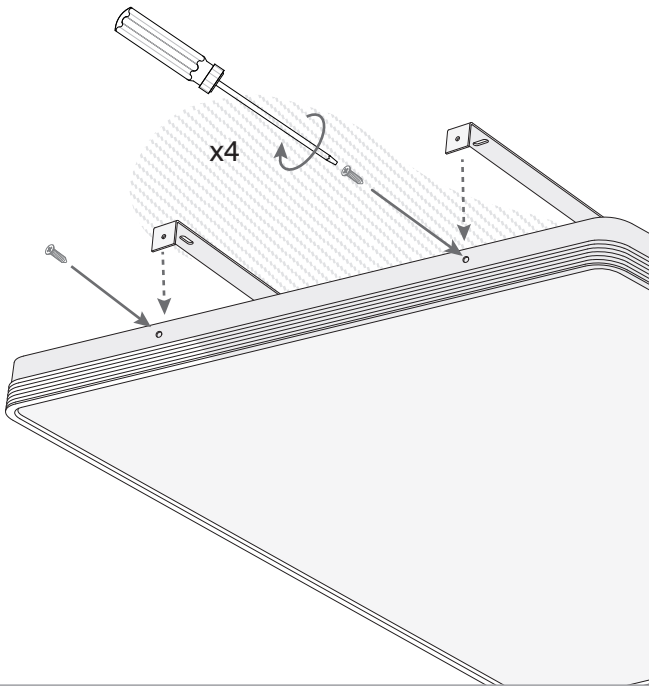
1



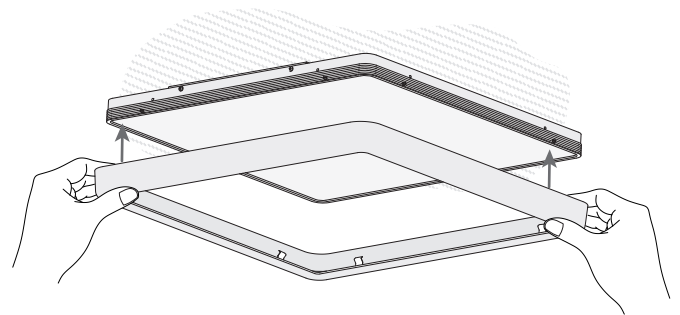
2



3



4



5

