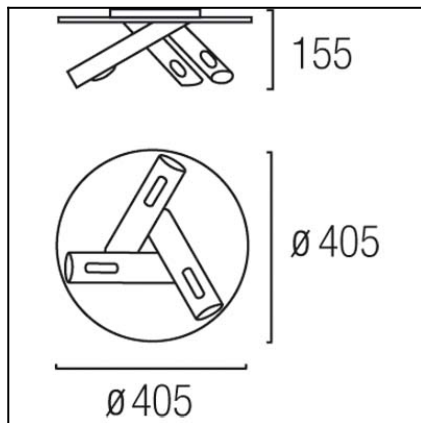


Design by Josep Patsí



The photograph may not match the reference exactly. Please read the product description to identify the finish.



Download photometric file .ldt / .ies

TECHNICAL CHARACTERISTICS

Type:	Ceiling fixture
IP Protection degrees:	IP20
Lampholder:	3 x G9
Power (W):	G9 MAX 75W
Bulb included:	3 x G9 60W
Total power consumption (W):	225
Voltage / Frequency:	220-240V/50-60Hz
Units per box:	4
Net Weight (Kg):	3.16
EAN:	8435111033890



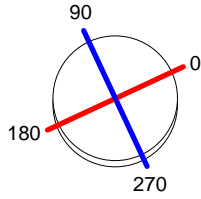
MATERIALS / FINISHES

Structure material: Aluminium
Structure finish: Chrome

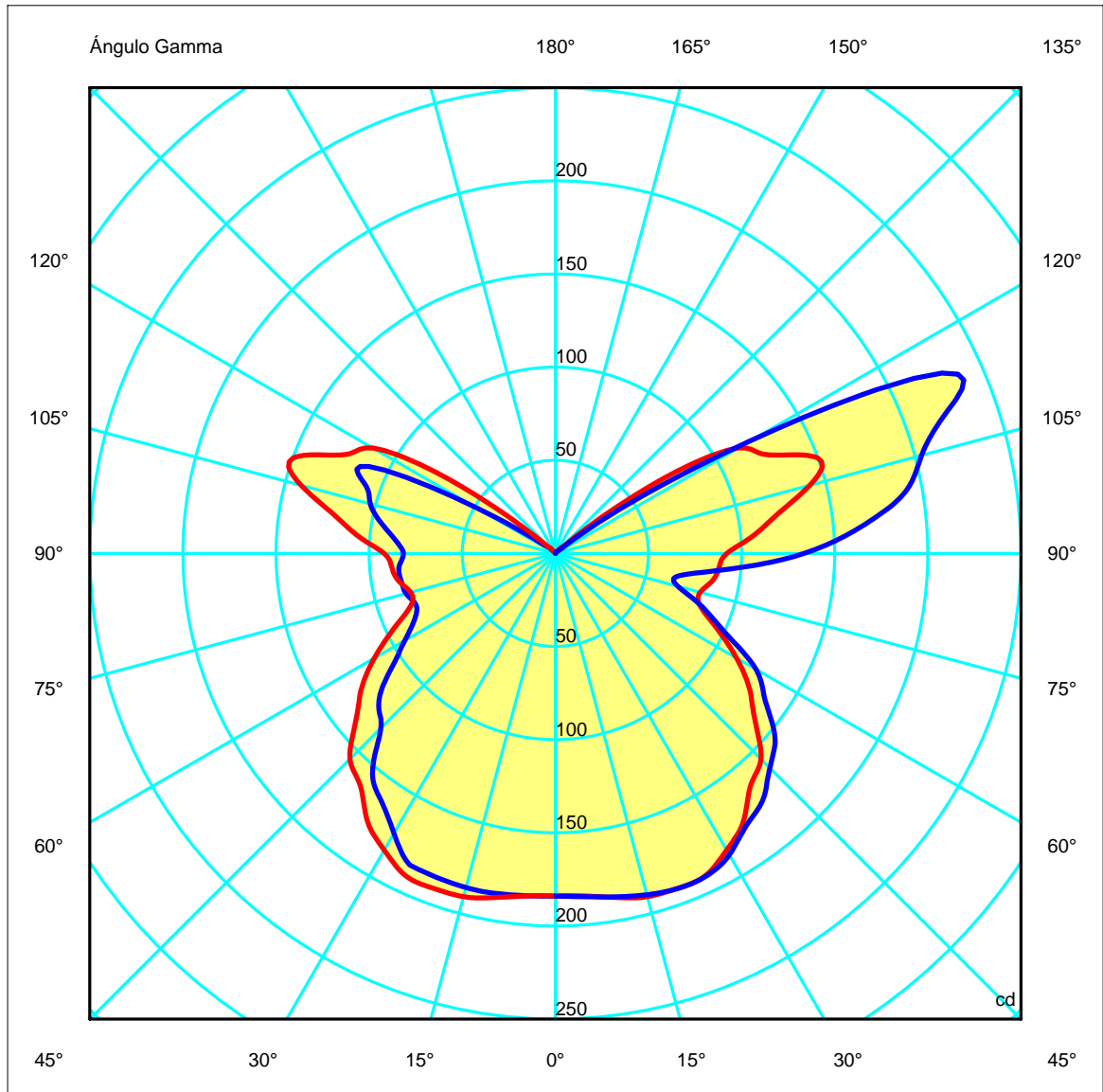
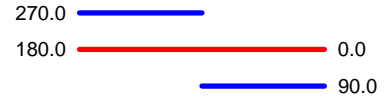
Diffuser material: Glass
Diffuser finish: Tinted

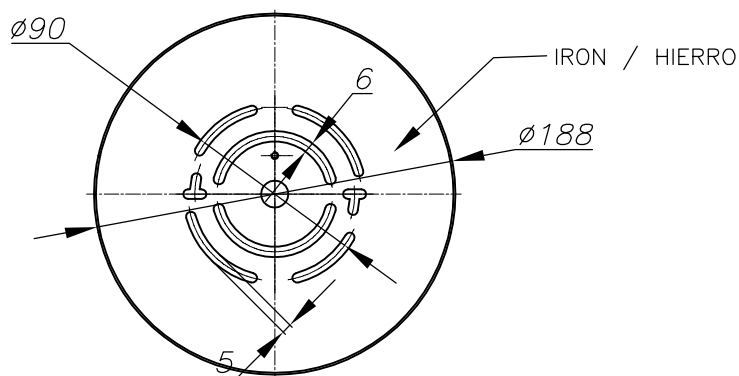
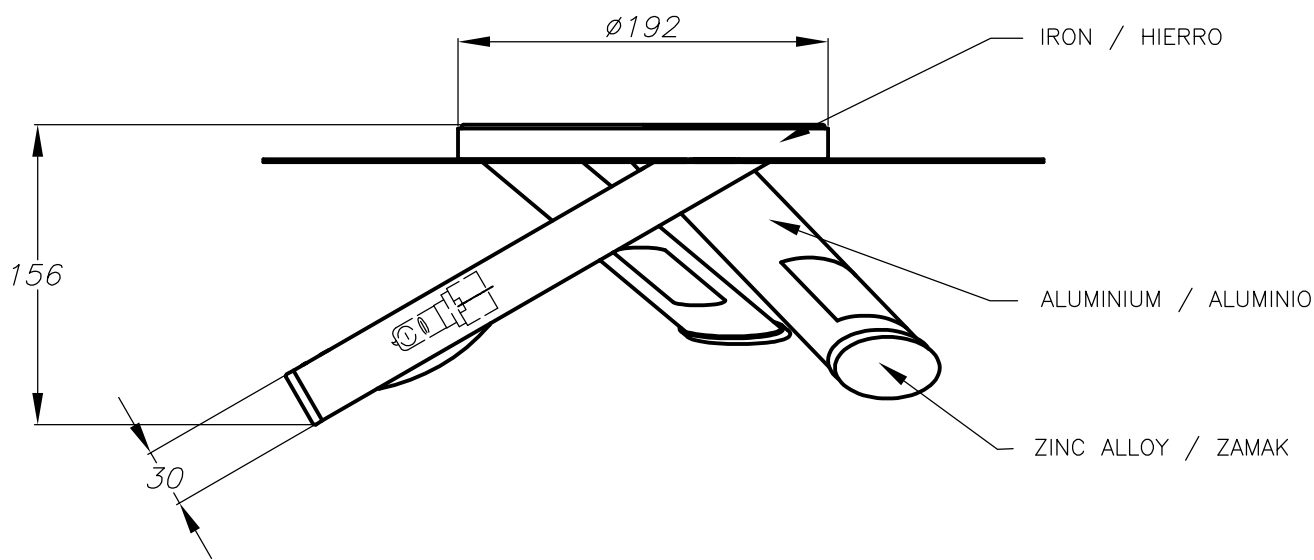
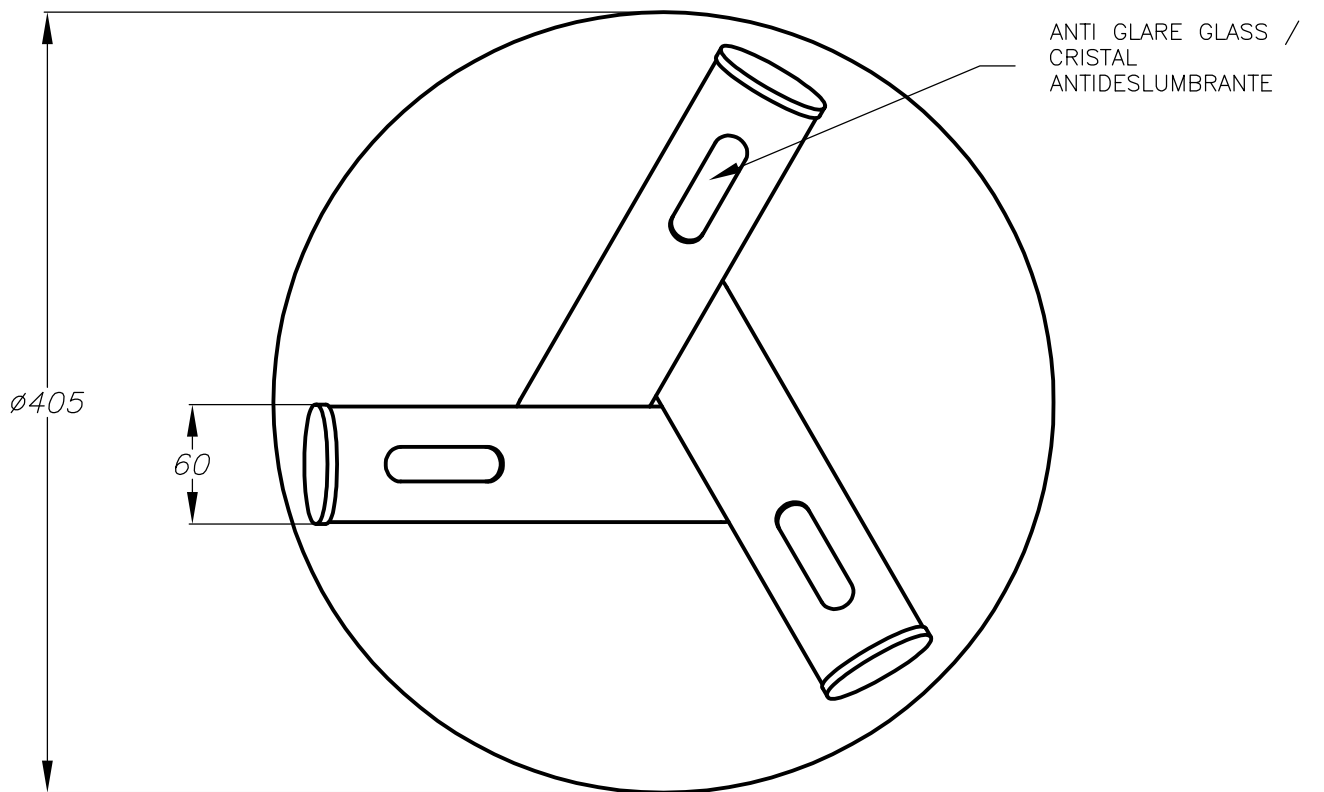
Luminaria		Ensayo		Lámpara	
Código	15-0221-21-F1	Código	15-0221-21-F1	Código	66675AM
Nombre	Plafón ADAGIO 3x75W G9 halogen	Nombre	Plafón ADAGIO 3x75W G9 halogen	Número	3
Familia	- LEDS-C4	Fecha	14-04-2010	Posición	Universal
Eficiencia	39.62%	Sist. de Coorden.	C-G	Flujo Total	3150.00 lm
Valor Máximo	228.99 cd	Posición	C=90.00 G=115.00	Sim. en los planos	270-90

Diam=400mm

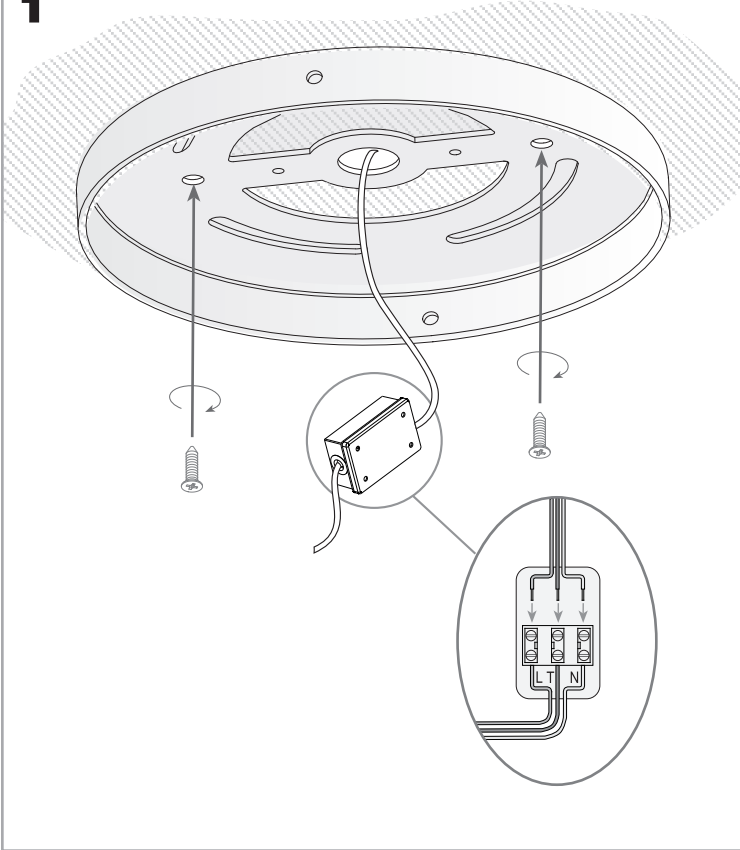


Semiplanos C

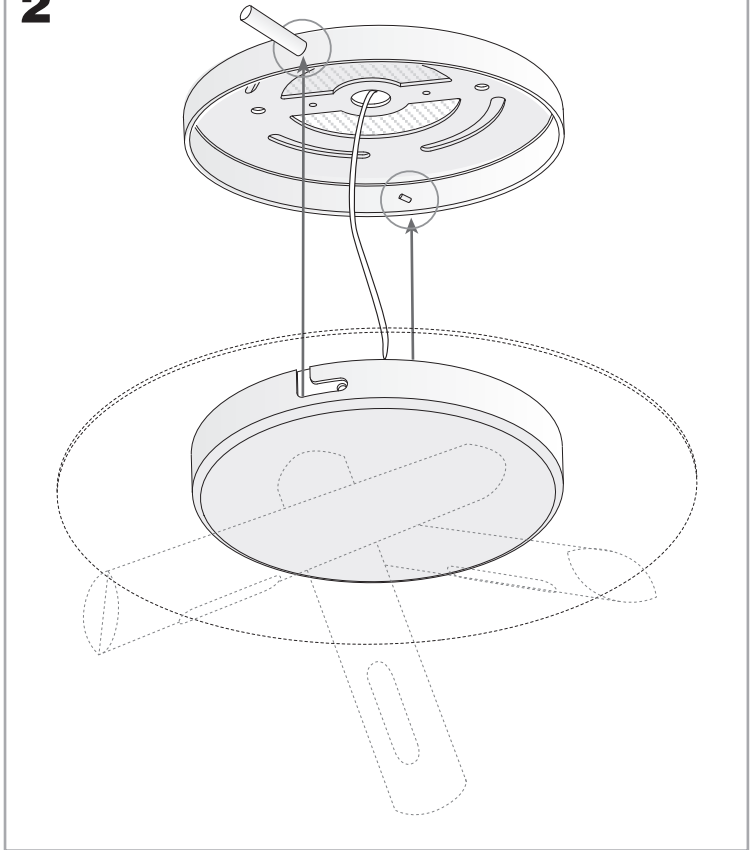




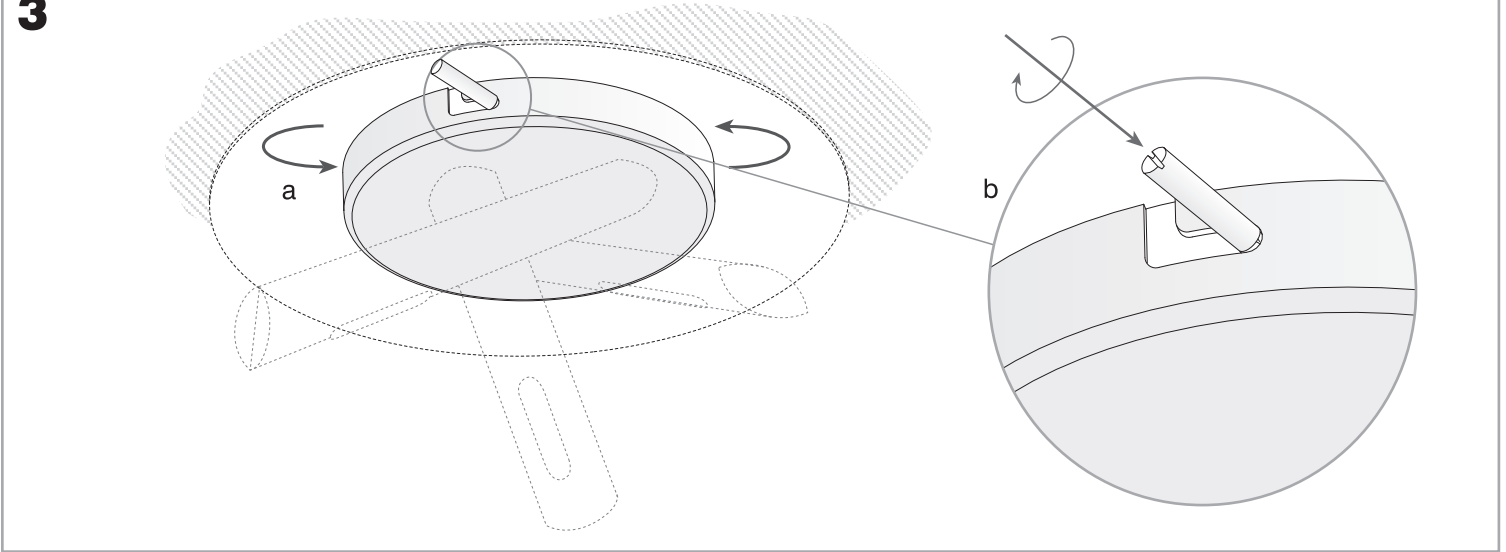
1



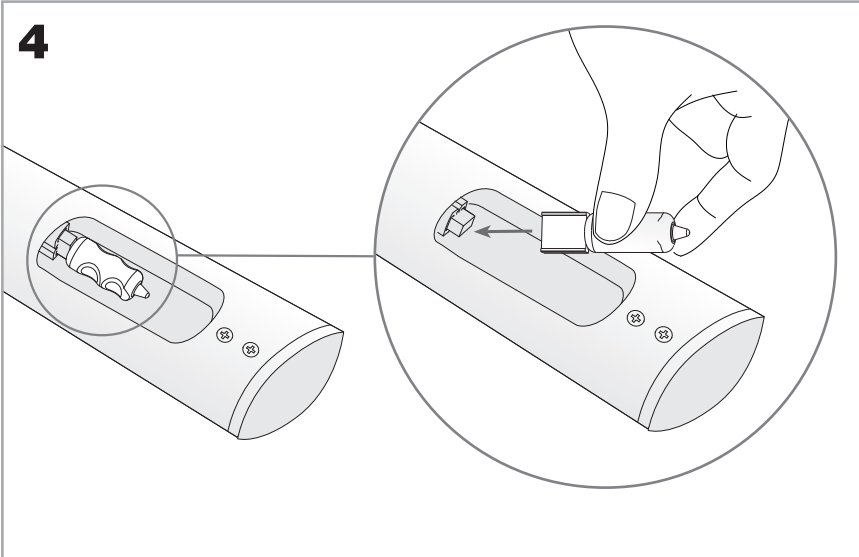
2



3



4



5

