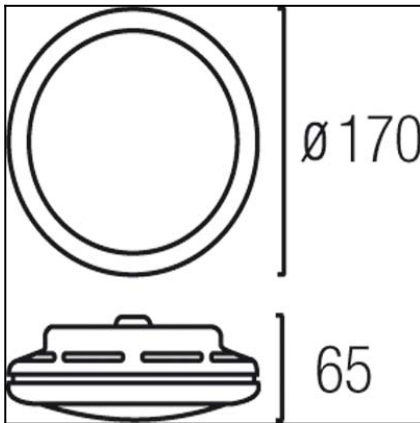


**Design by Josep Patsí**


The photograph may not match the reference exactly. Please read the product description to identify the finish.


**TECHNICAL CHARACTERISTICS**

Type:	Ceiling fixture
IP Protection degrees:	IP20
Lampholder:	1 x R7s
Power (W):	R7s MAX 100W
Bulb included:	1 x R7s 80W
Total power consumption (W):	100
Voltage / Frequency:	220-240V/50-60Hz
Units per box:	12
Net Weight (Kg):	0.68
EAN:	8435071472746


**MATERIALS / FINISHES**

**Structure material:** Steel  
**Structure finish:** Satin nickel

**Diffuser material:** Glass  
**Diffuser finish:** Tinted

Download photometric file .ldt / .ies

Luminaria		Ensayo		Lámpara	
Código	15-0222-81-E9	Código	15-0256-81-E9	Código	64690
Nombre	Aplique 1000W R7s difusor opal	Nombre	Aplique 1000W R7s difusor opal	Número	1
Familia	- LEDS-C4	Fecha	12-03-2010	Posición	
Eficiencia	51.73%	Sist. de Coordin.	C-G	Flujo Total	1600.00 lm
Valor Máximo	260.54 cd	Posición	C=0.00 G=0.00	Bisimétrico	

Diam=170mm

Semiplanos C

180.0 ————— 0.0  
 270.0 ————— 90.0

