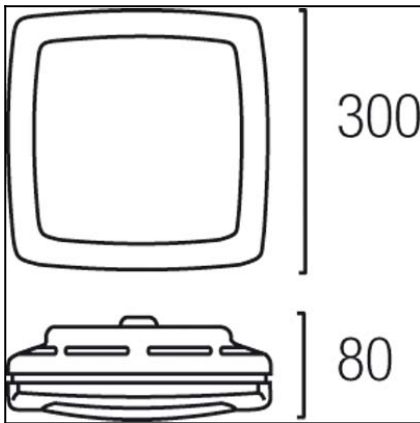


**Design by Josep Patsí**


The photograph may not match the reference exactly. Please read the product description to identify the finish.



Download photometric file .ldt /.ies

**DESCRIPTION**

Small group of recessed downlights offering high visual comfort. Round or square black lacquered steel body, grey finished metallic surround. Stainless steel mounting springs highly resistant to mechanical deformation. Available for halogen lamps and LED lamps, can be rotated on a 40° vertical angle. Mounting clips included in the unit can be adjusted without the need for additional tools.

**TECHNICAL CHARACTERISTICS**

Type:	Ceiling fixture
IP Protection degrees:	IP20
Lampholder:	1 x R7s
Power (W):	R7s MAX 200W
Bulb included:	1 x R7s 160W
Total power consumption (W):	200
Voltage / Frequency:	220-240V/50-60Hz
Units per box:	4
Net Weight (Kg):	2.18
EAN:	8435071473071


**MATERIALS / FINISHES**

**Structure material:** Steel  
**Structure finish:** Satin nickel

**Diffuser material:** Glass  
**Diffuser finish:** Tinted

<b>Luminaria</b>		<b>Ensayo</b>		<b>Lámpara</b>	
Código	15-0258-81-E9	Código	15-0258-81-E9	Código	64698
Nombre	Aplique MINI 1x200W R7s opal	Nombre	Aplique MINI 1x200W R7s opal	Número	1
Familia	- LEDS-C4	Fecha	13-04-2010	Posición	Universal
Eficiencia	48.05%	Sist. de Coorden.	C-G	Flujo Total	3200.00 lm
Valor Máximo	499.42 cd	Posición	C=0.00 G=5.00		Bisimétrico

300mm x 300mm

Semiplanos C

180.0 ——— 0.0  
270.0 ——— 90.0

