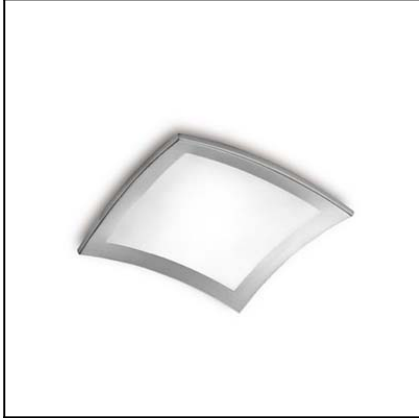
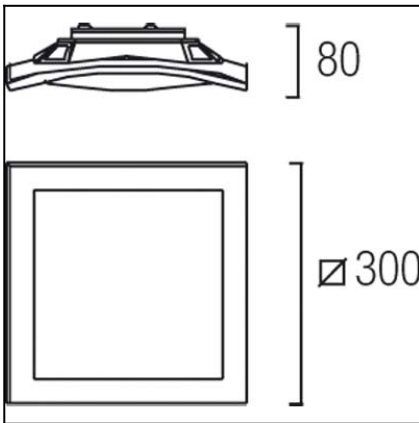


Design by Josep Patsí


The photograph may not match the reference exactly. Please read the product description to identify the finish.


[Download photometric file .ldt / .ies](#)
TECHNICAL CHARACTERISTICS

Type:	Ceiling fixture
IP Protection degrees:	IP20
Lampholder:	1 x R7s
Power (W):	R7s MAX 150W
Bulb included:	1 x R7s 120W
Total power consumption (W):	150
Voltage / Frequency:	220-240V/50-60Hz
Units per box:	4
Net Weight (Kg):	2.125
EAN:	8435111040614


MATERIALS / FINISHES

Structure material: Steel
Structure finish: Chrome

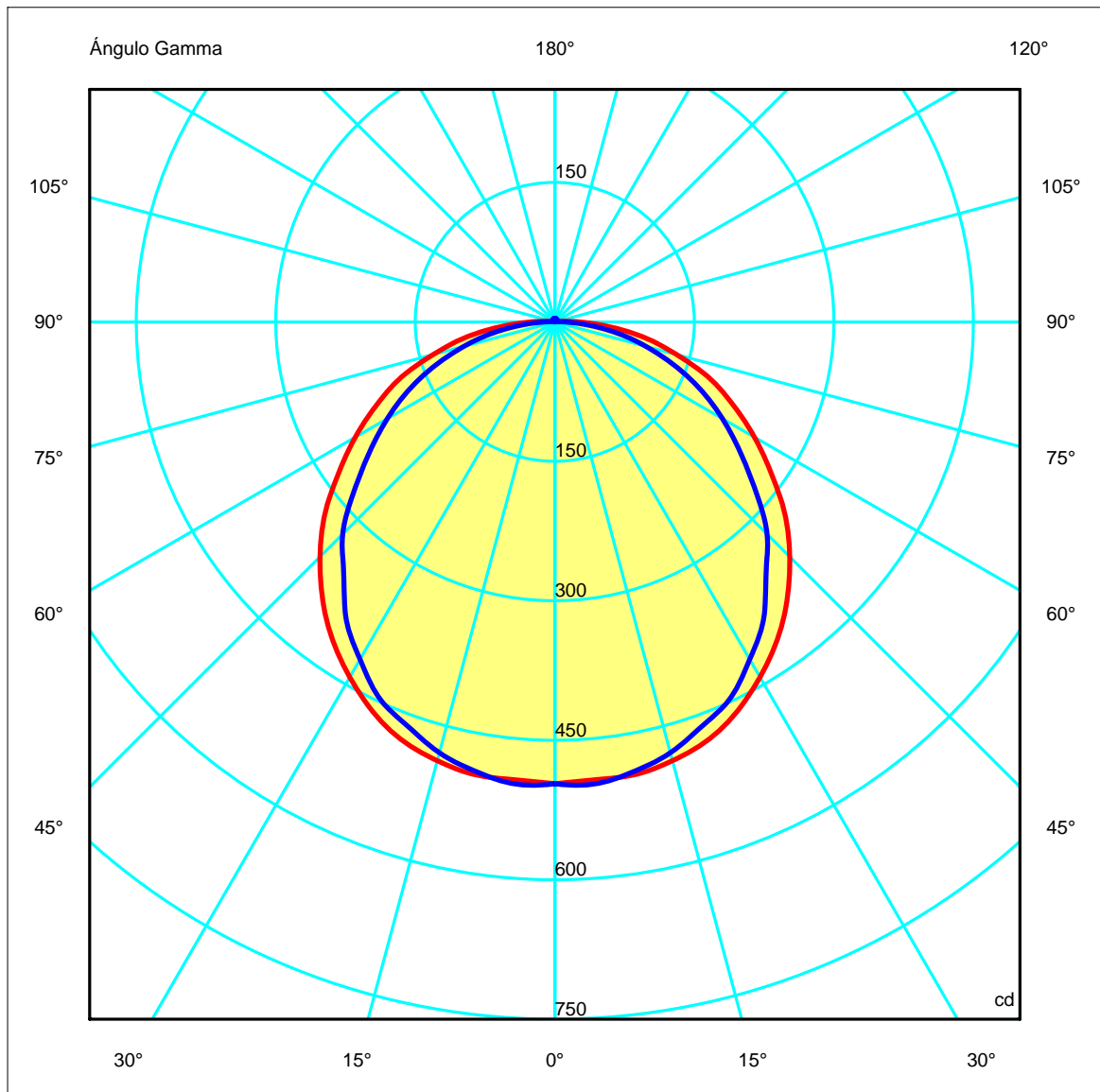
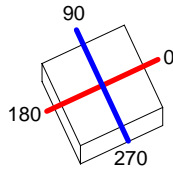
Diffuser material: Glass
Diffuser finish: Tinted

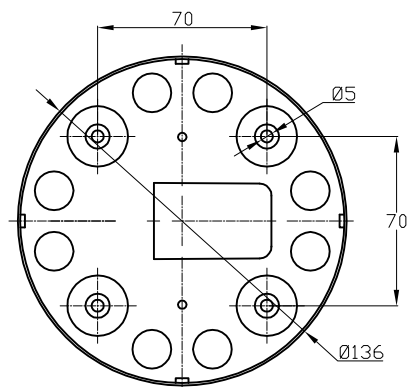
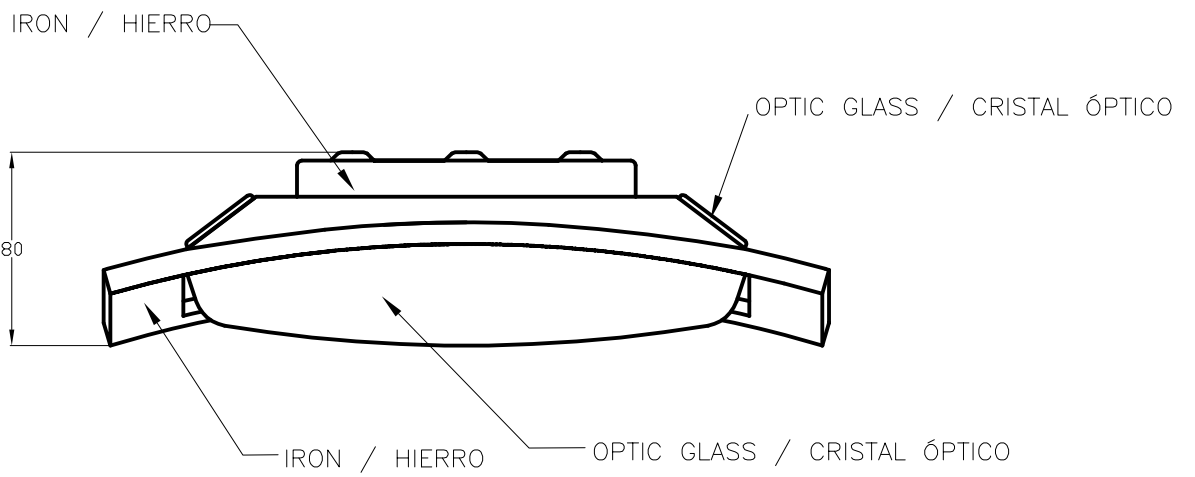
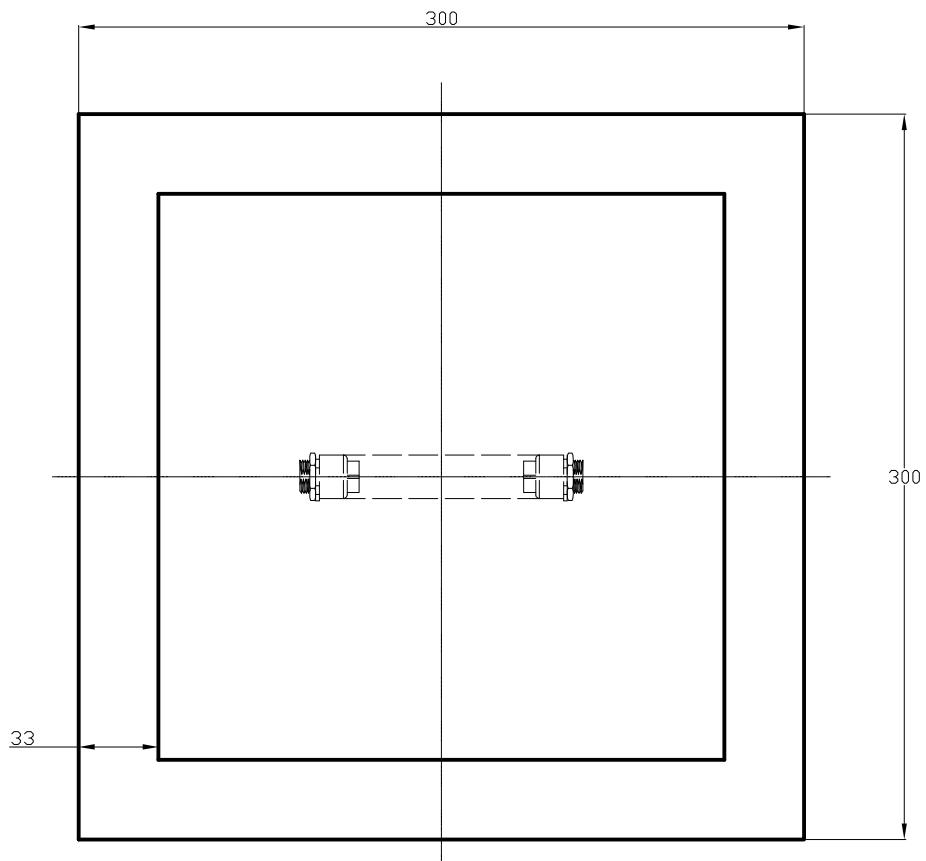
Luminaria		Ensayo		Lámpara	
Código	15-2385-21-B9	Código	15-2385-21-B9	Código	64695
Nombre	Plafón BASIC 1x150W R7s opal	Nombre	Plafón BASIC 1x150W R7s opal	Número	1
Familia	- LEDS-C4	Fecha	12-04-2010	Posición	Universal
Eficiencia	60.39%	Sist. de Coorden.	C-G	Flujo Total	2500.00 lm
Valor Máximo	498.76 cd	Posición	C=90.00 G=5.00		Bisimétrico

300mm x 300mm

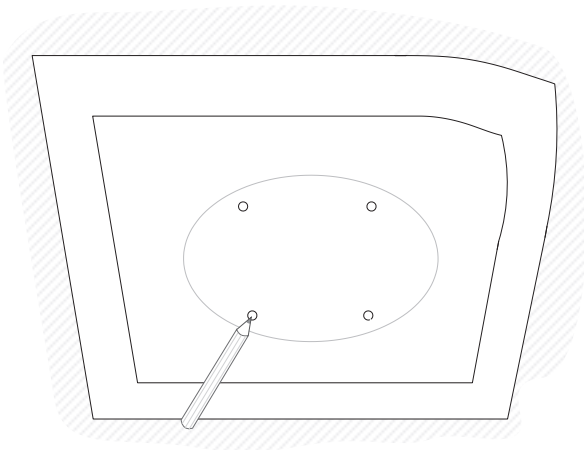
Semiplanos C

180.0 ——— 0.0
 270.0 ——— 90.0

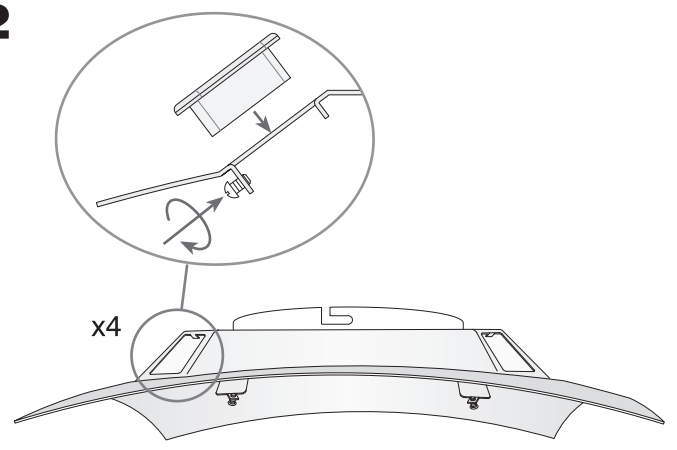




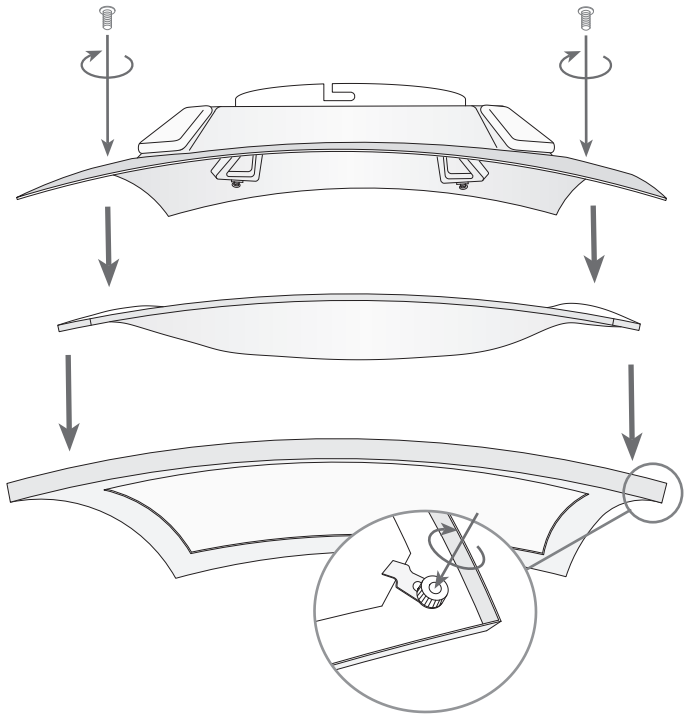
1



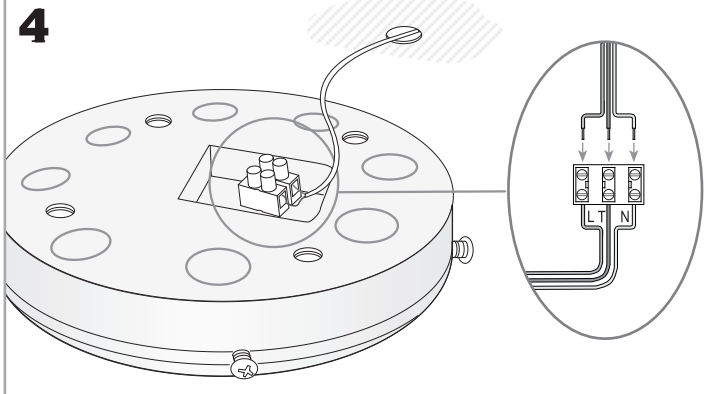
2



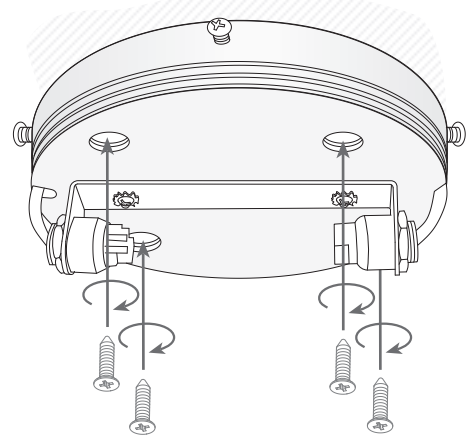
3



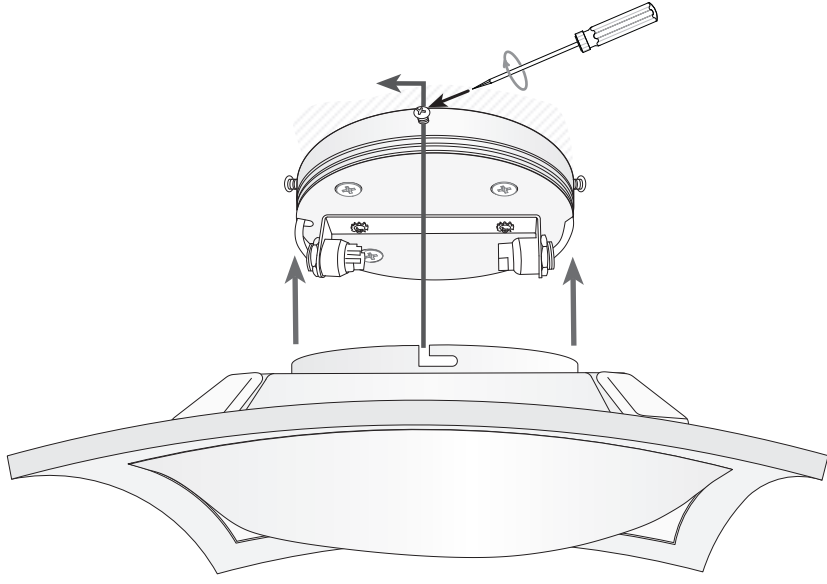
4



5



6



7

