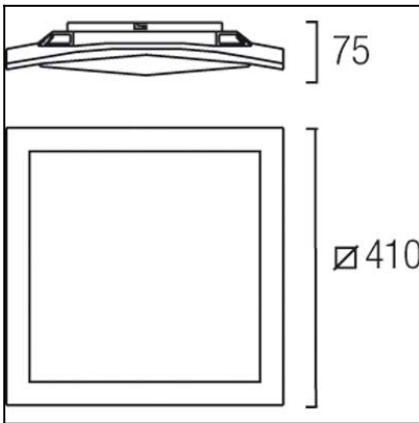


Design by Josep Patsí


The photograph may not match the reference exactly. Please read the product description to identify the finish.



Download photometric file .ldt /.ies

TECHNICAL CHARACTERISTICS

Type:	Ceiling fixture
IP Protection degrees:	IP20
Lampholder:	1 x R7s
Power (W):	R7s MAX 200W
Bulb included:	1 x R7s 160W
Total power consumption (W):	200
Voltage / Frequency:	220-240V/50-60Hz
Warranty (Years):	2
Units per box:	4
Net Weight (Kg):	3.565
EAN:	8435111040638,00


MATERIALS / FINISHES

Structure material: Steel
Structure finish: Chrome

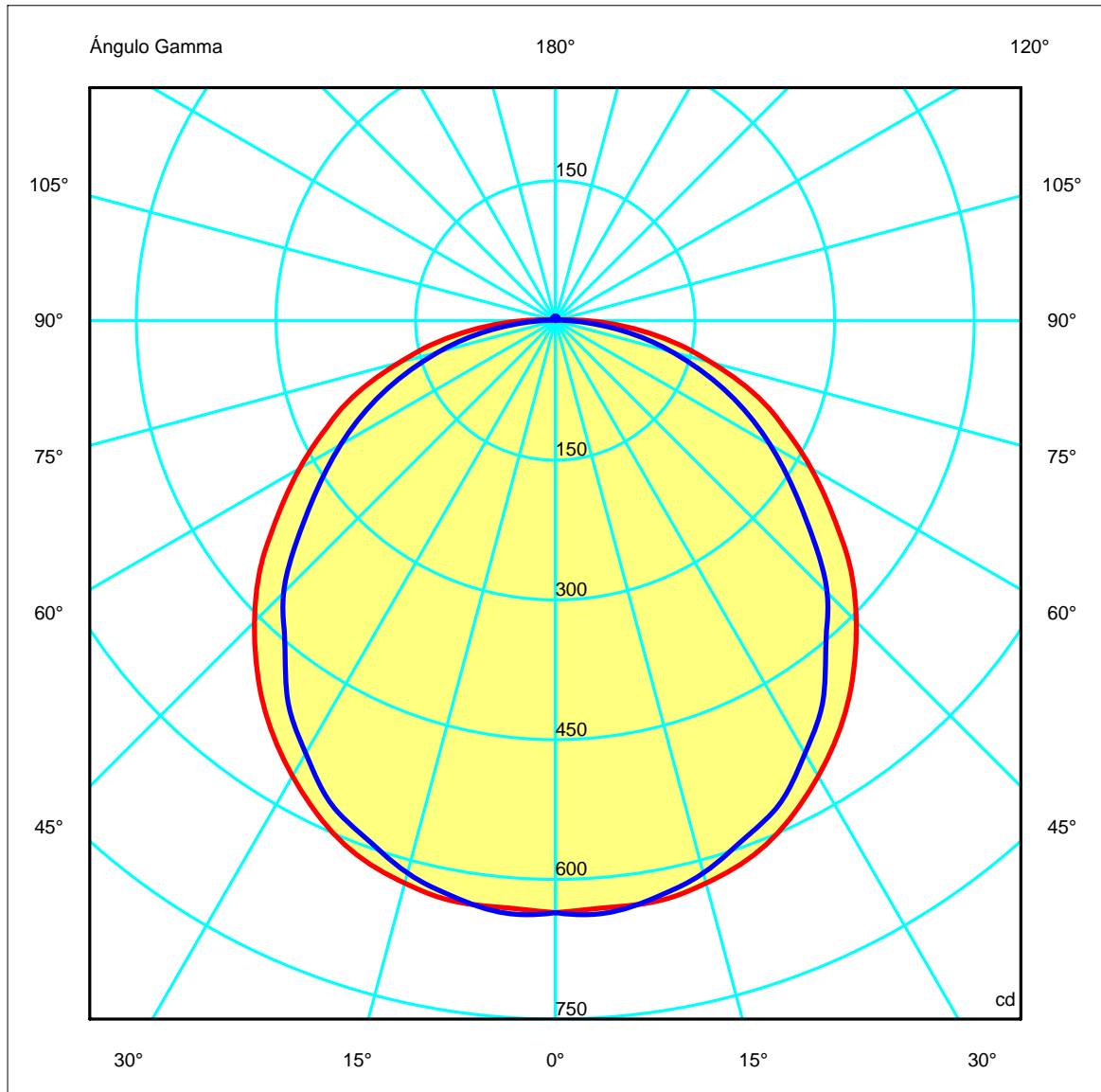
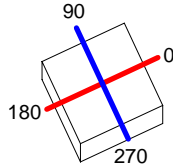
Diffuser material: Glass
Diffuser finish: Tinted

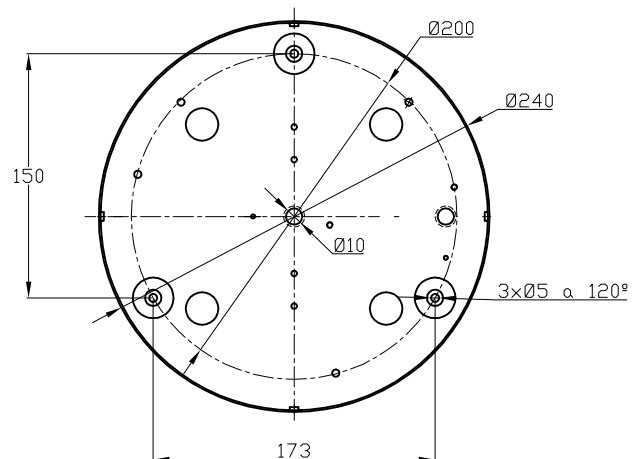
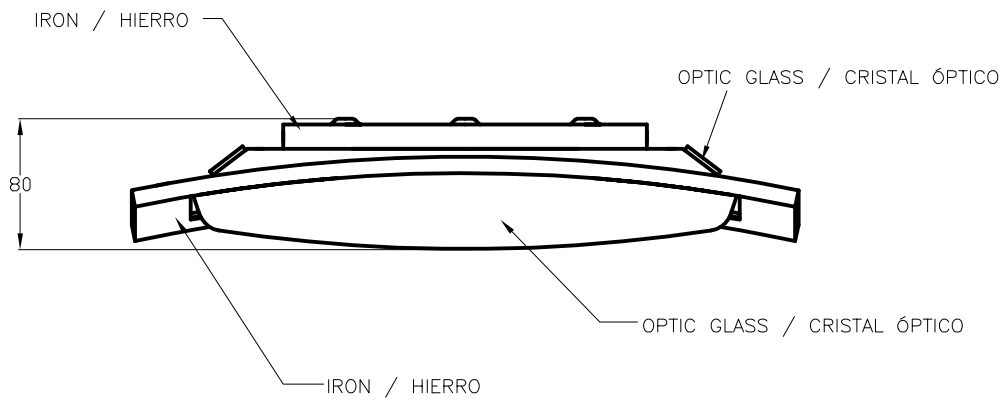
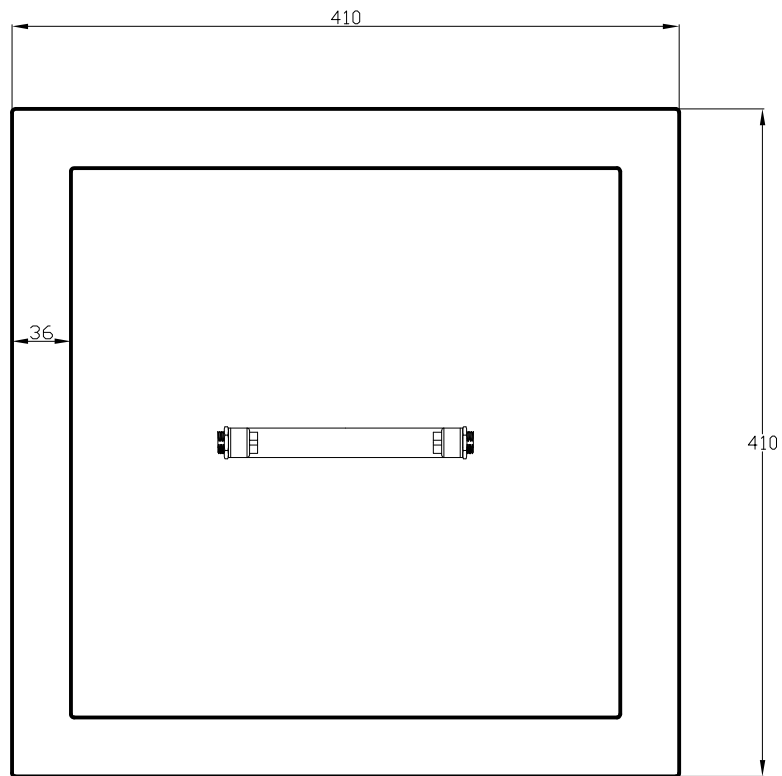
Luminaria		Ensayo		Lámpara	
Código	15-2386-21-B9	Código	15-2386-21-B9	Código	64698
Nombre	Plafón BASIC 1x200W R7s opal	Nombre	Plafón BASIC 1x200W R7s opal	Número	1
Familia	- LEDS-C4	Fecha	12-04-2010	Posición	Universal
Eficiencia	60.39%	Sist. de Coorden.	C-G	Flujo Total	3200.00 lm
Valor Máximo	638.41 cd	Posición	C=90.00 G=5.00		Bisimétrico

410mm x 410mm

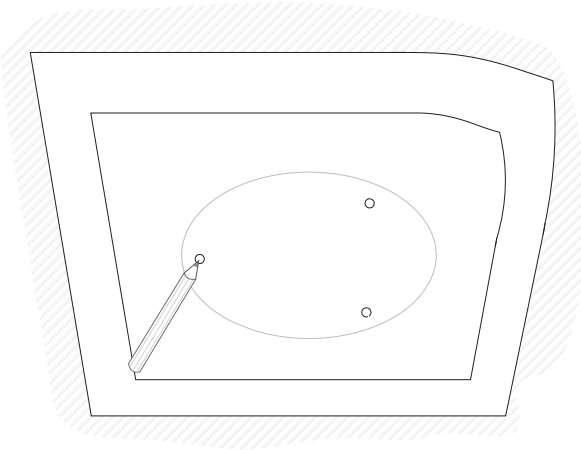
Semiplanos C

180.0 ——— 0.0
 270.0 ——— 90.0

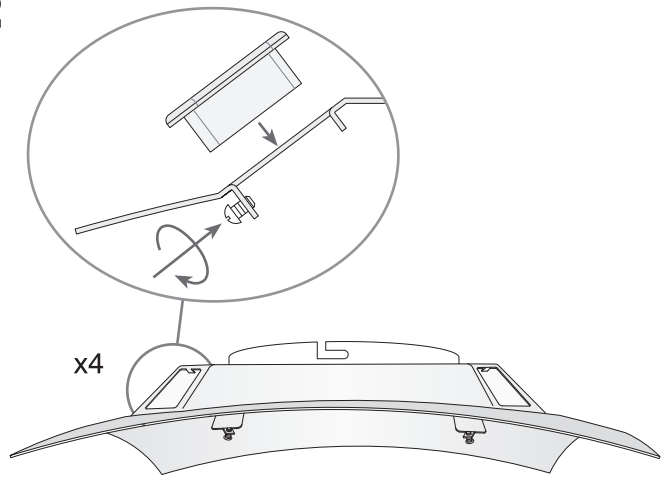




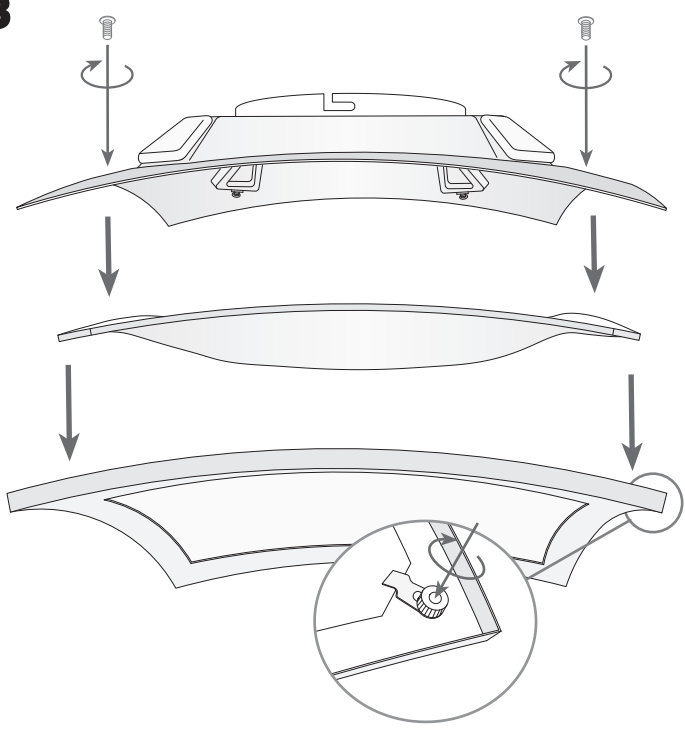
1



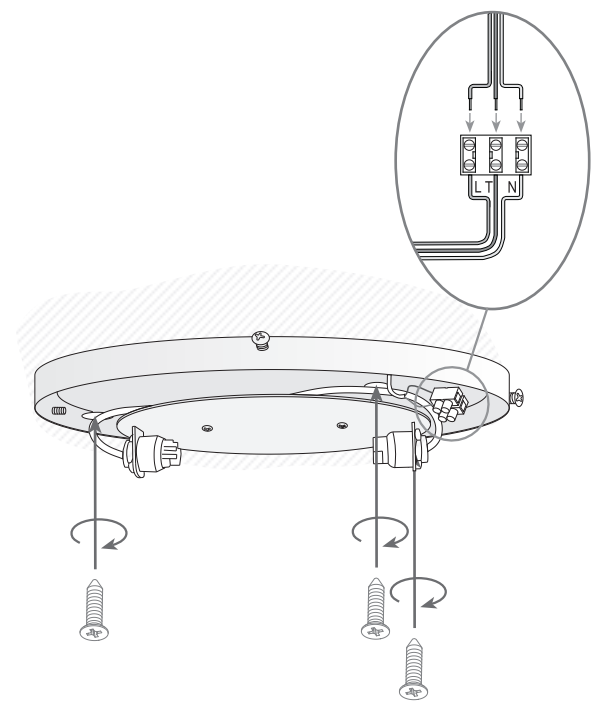
2



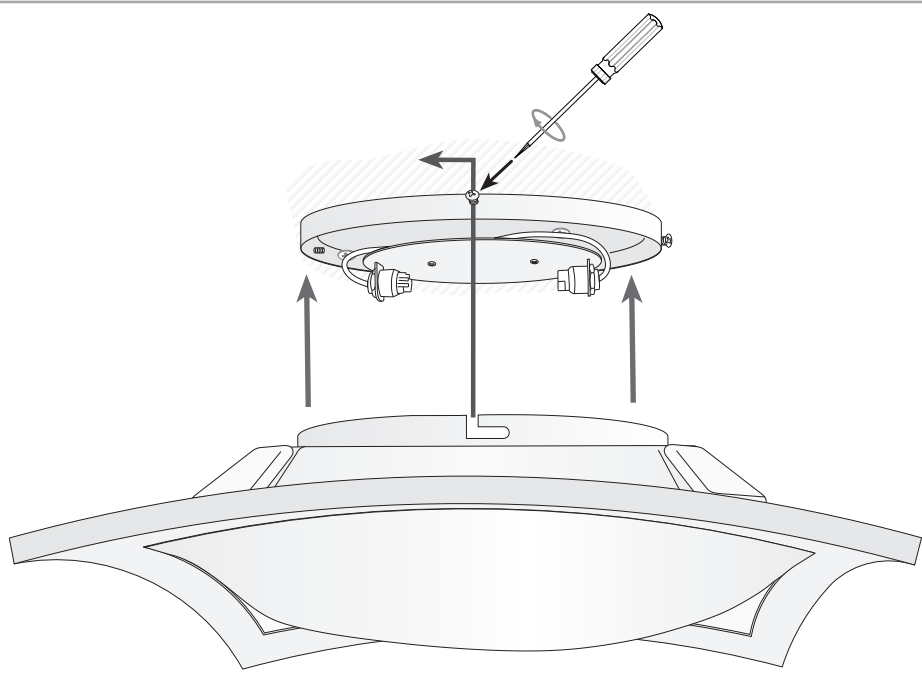
3



4



5



6

