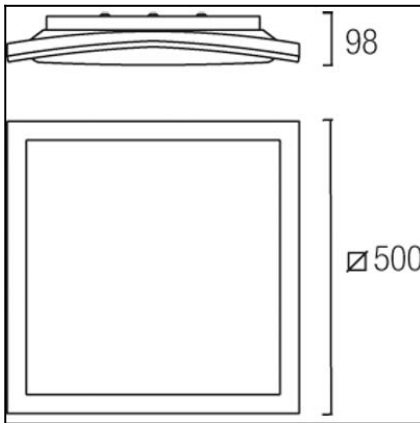


Design by Josep Patsí



The photograph may not match the reference exactly. Please read the product description to identify the finish.



TECHNICAL CHARACTERISTICS

Type:	Ceiling fixture
IP Protection degrees:	IP20
Lampholder:	4 x 2G11. Neutral white (5000 - 3700 K)
Power (W):	2G11 24W
Bulb included:	4 x 2G11 24W. Neutral white (5000 - 3700 K)
Voltage / Frequency:	220-240V/50-60Hz
Units per box:	1
Net Weight (Kg):	6.55
EAN:	8435111046104



MATERIALS / FINISHES

Structure material: Steel	Diffuser material: Glass
Structure finish: Chrome	Diffuser finish: Tinted

GEAR

Gear included: Yes, electronic

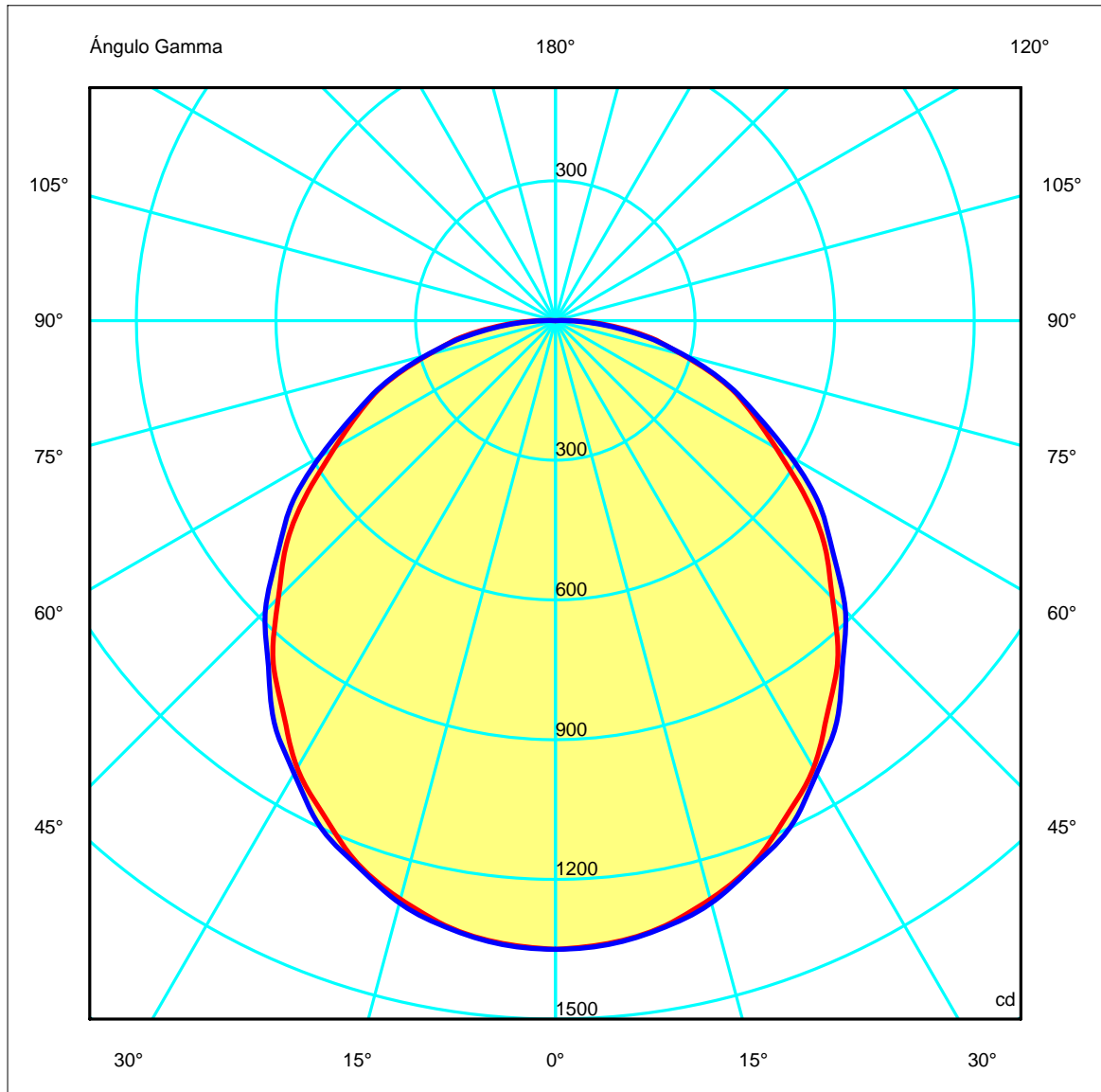
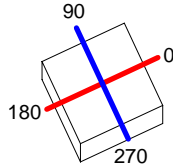
[Download photometric file .ldt / .ies](#)

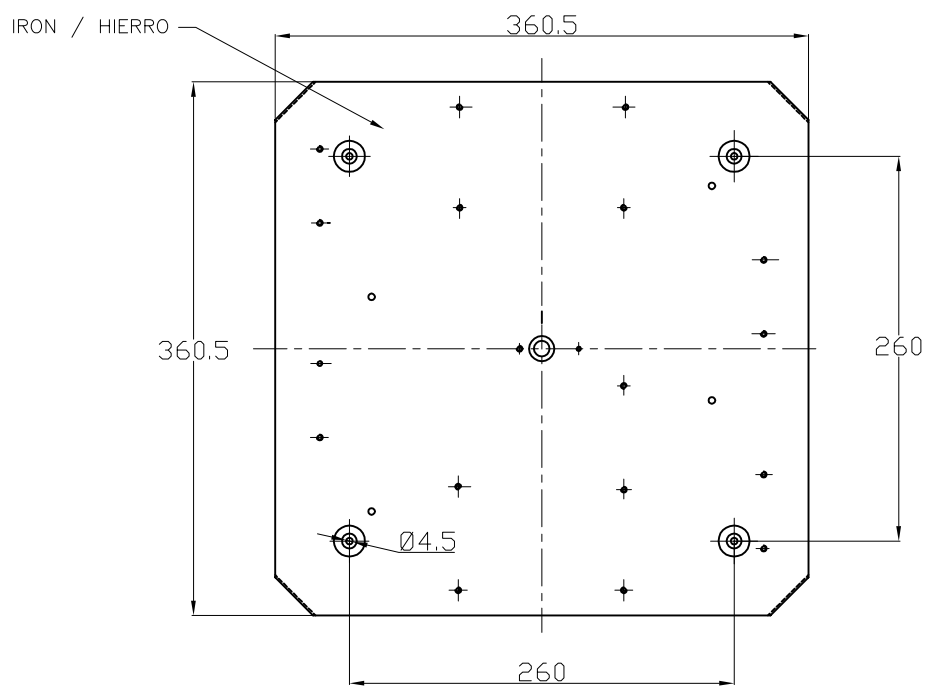
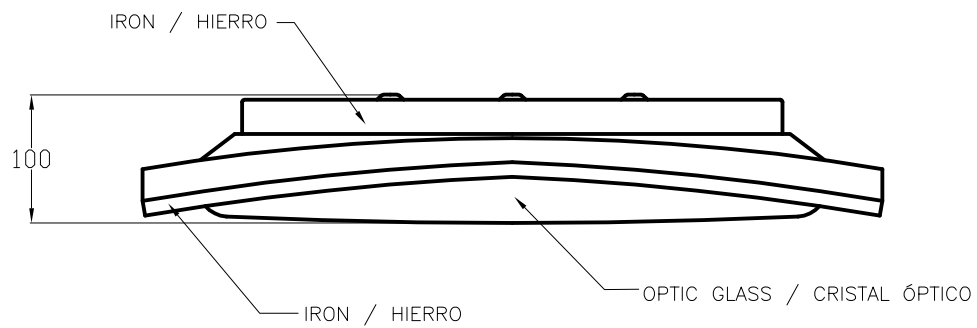
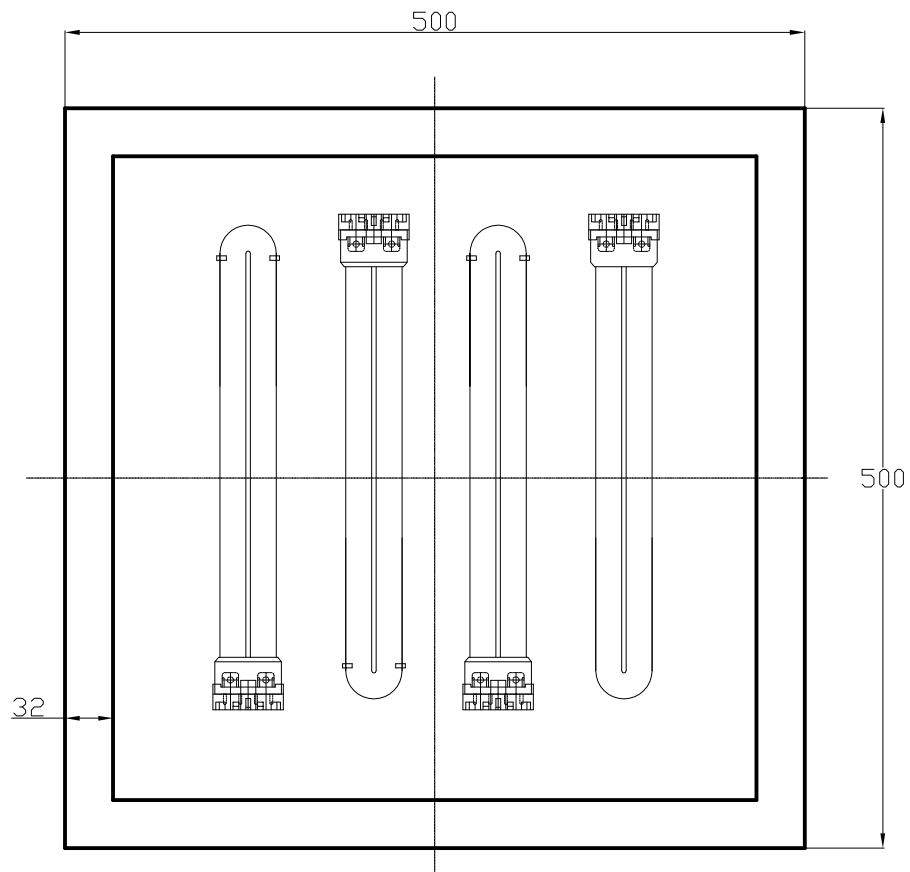
Luminaria		Ensayo		Lámpara	
Código	15-2389-21-B9	Código	15-2389-21-B9	Código	PL-L24W/830/4P
Nombre	Plafón BASIC 4x24W 2G11 opal	Nombre	Plafón BASIC 4x24W 2G11 opal	Número	4
Familia	- LEDS-C4	Fecha	12-04-2010	Posición	Universal
Eficiencia	52.68%	Sist. de Coorden.	C-G	Flujo Total	7200.00 lm
Valor Máximo	1349.94 cd	Posición	C=0.00 G=0.00		Bisimétrico

500mm x 500mm

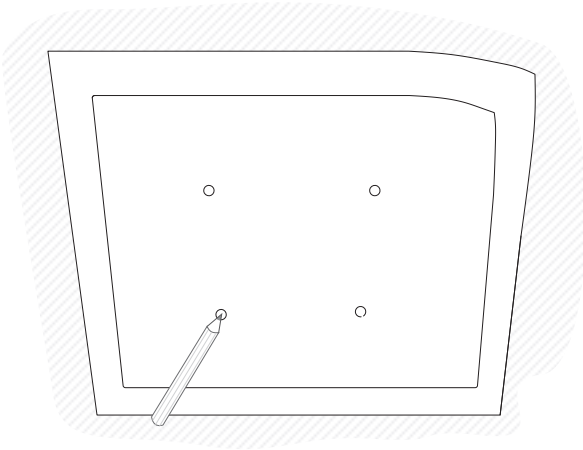
Semiplanos C

180.0 ——— 0.0
 270.0 ——— 90.0

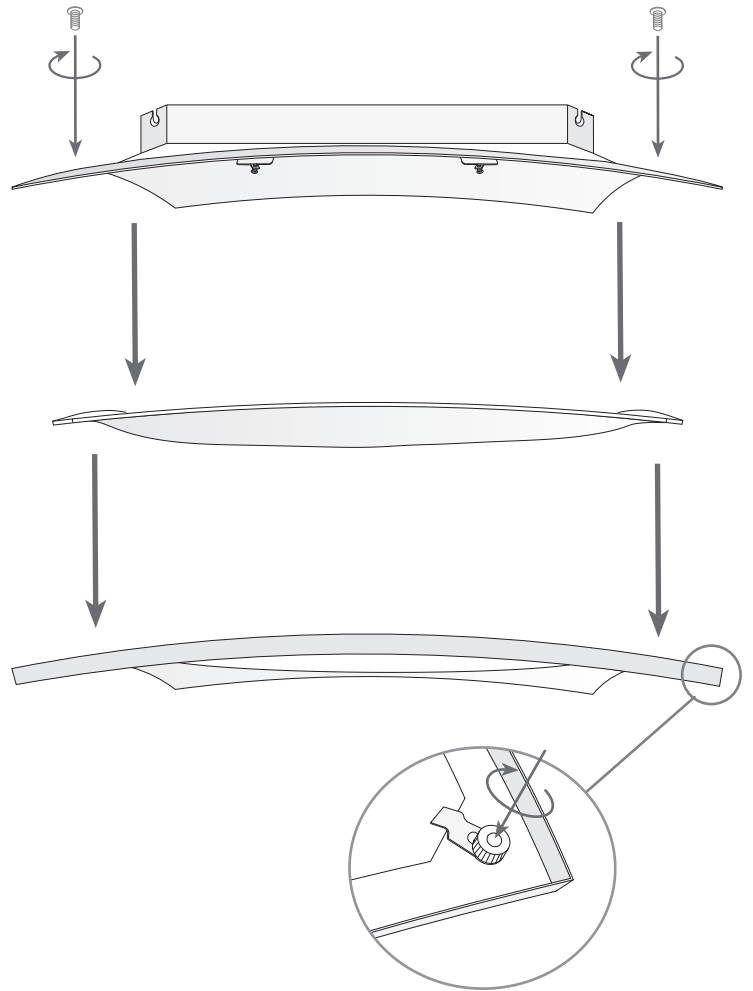




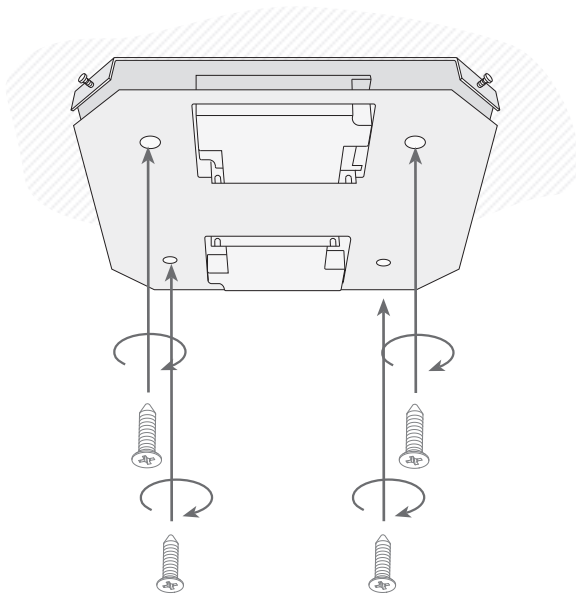
1



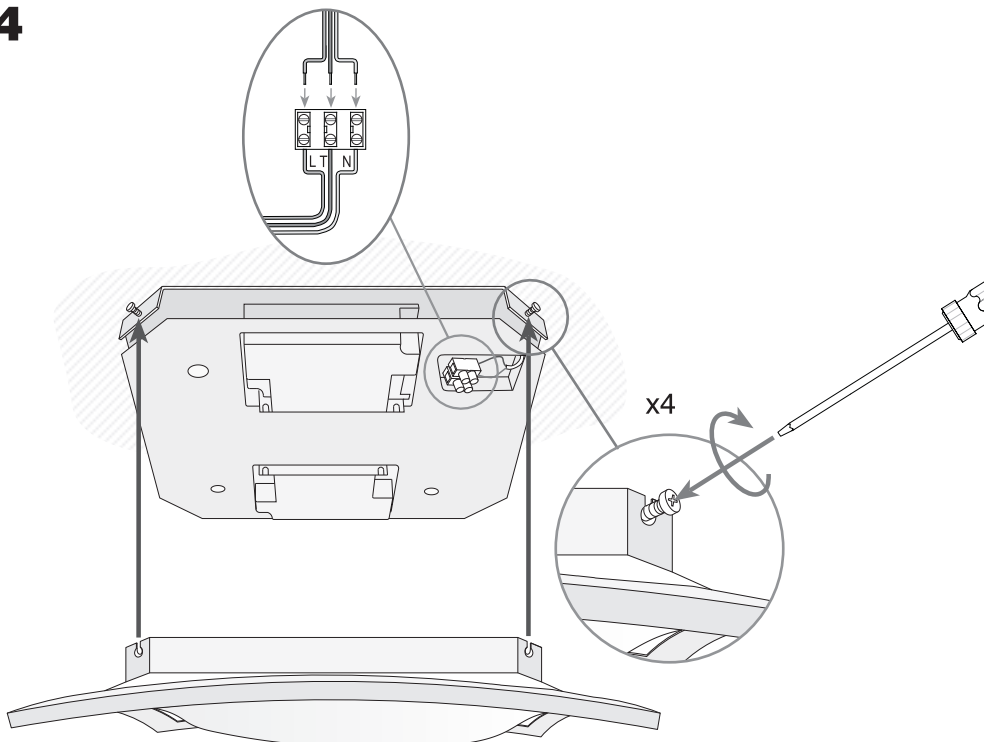
2



3



4



5

