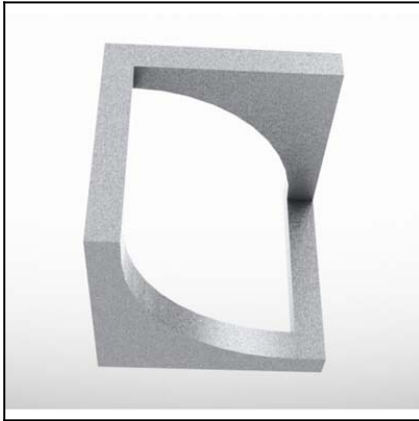
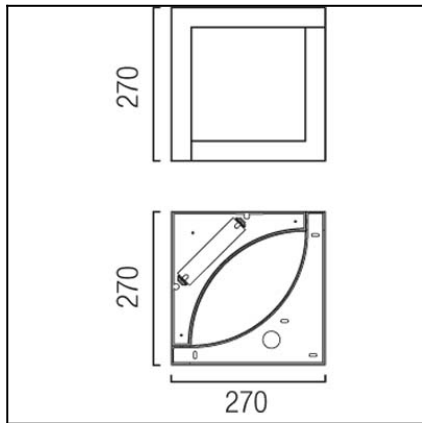


Design by Josep Patsí



The photograph may not match the reference exactly. Please read the product description to identify the finish.



[Download photometric file .ldt / .ies](#)

TECHNICAL CHARACTERISTICS

Type:	Ceiling fixture
IP Protection degrees:	IP20
Lampholder:	1 x R7s
Power (W):	R7s MAX 300W
Bulb included:	1 x R7s 230W
Total power consumption (W):	300
Voltage / Frequency:	220-240V/50-60Hz
Warranty (Years):	2
Units per box:	1
Net Weight (Kg):	2.53
EAN:	8435111063682,00



MATERIALS / FINISHES

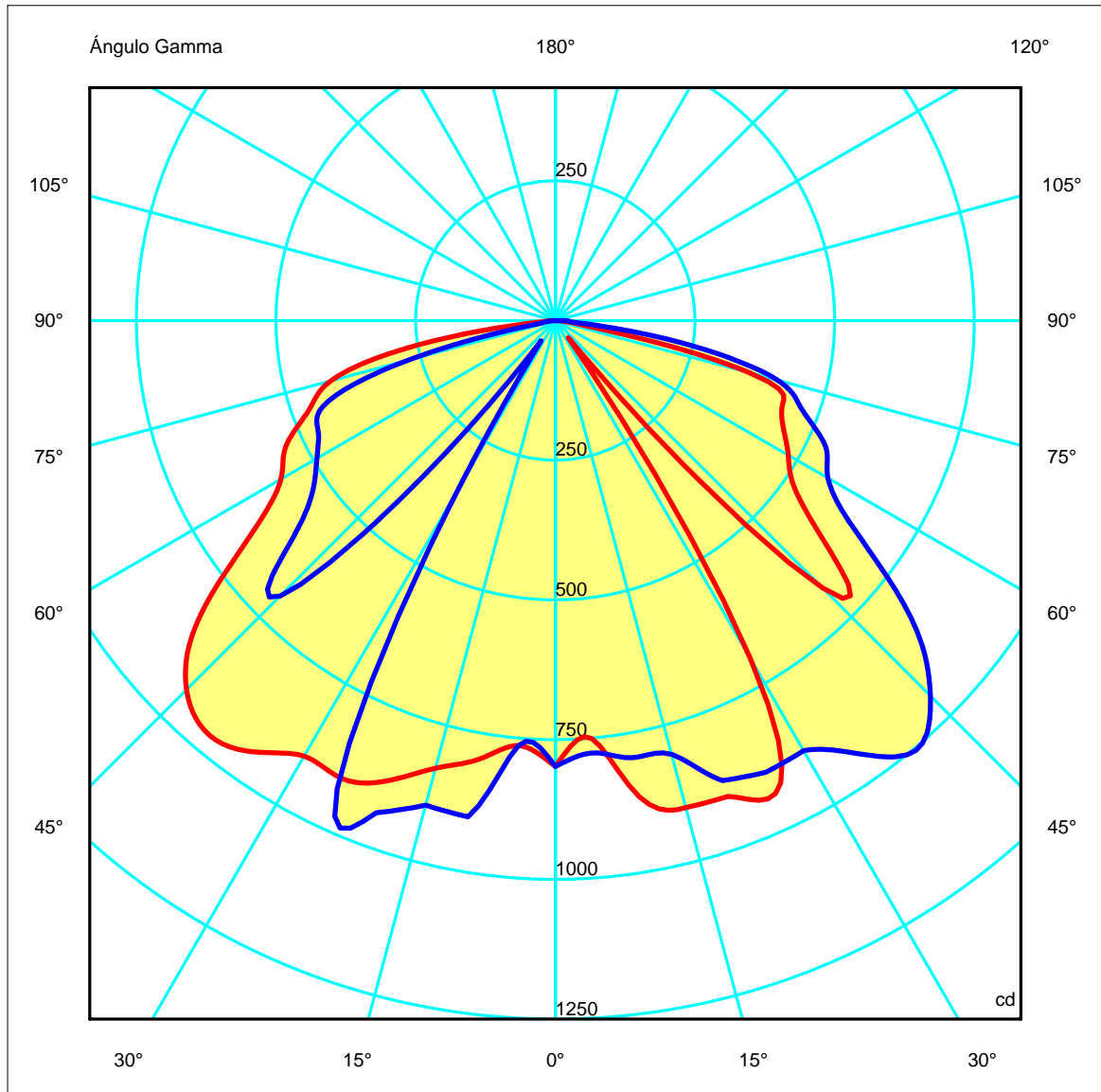
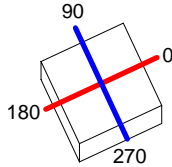
Structure material: Steel
Structure finish: Ecobright

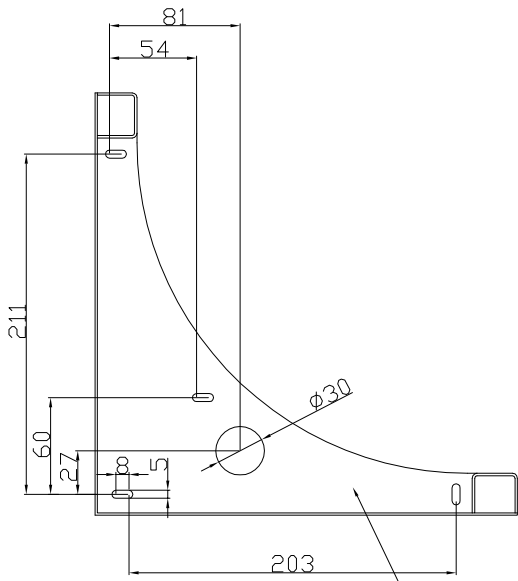
Luminaria		Ensayo		Lámpara	
Código	15-2782-05-05	Código	15-2782-05-05	Código	64701
Nombre	Aplique ESCHER 1x300W R7s	Nombre	Aplique ESCHER 1x300W R7s	Número	1
Familia	- LEDS-C4	Fecha	15-04-2010	Posición	Universal
Eficiencia	53.50%	Sist. de Coorden.	C-G	Flujo Total	5000.00 lm
Valor Máximo	1133.46 cd	Posición	C=150.00 G=35.00		Asimétrico

270mm x 270mm

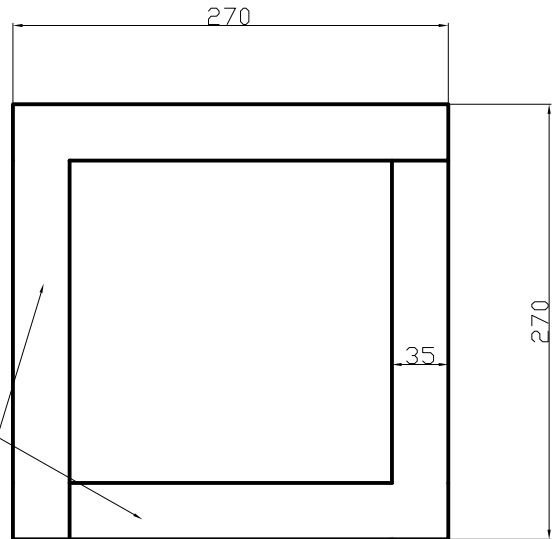
Semiplanos C

180.0 ——— 0.0
 270.0 ——— 90.0



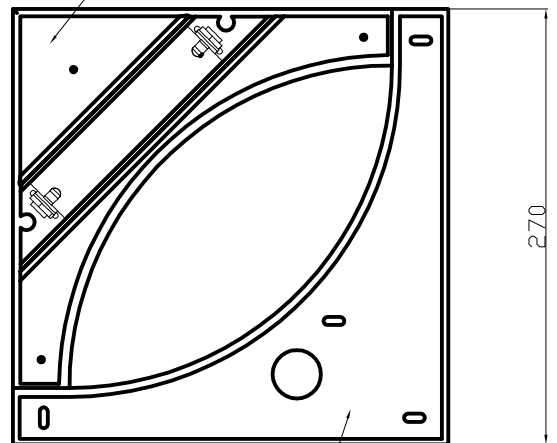


IRON / HIERRO

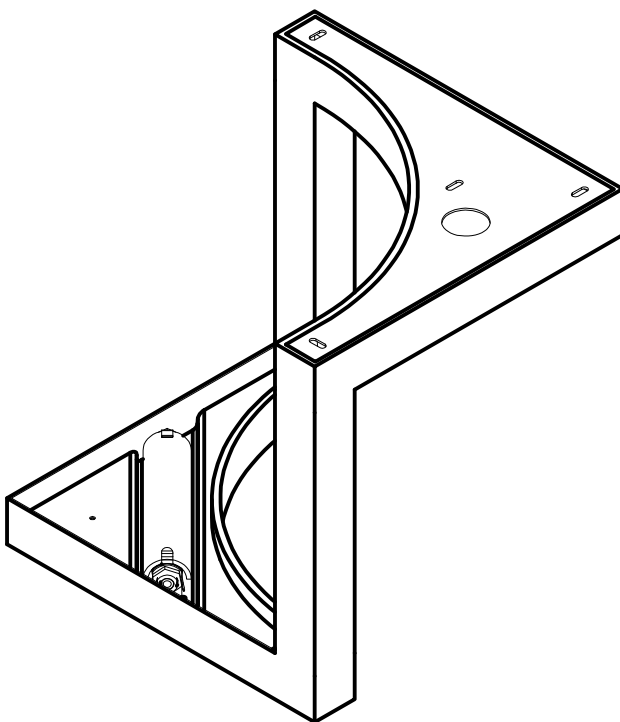


IRON / HIERRO

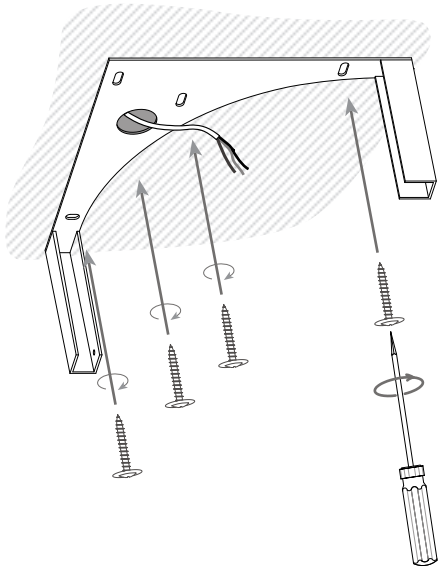
ALUMINIUM REFLECTOR /
REFLECTOR ALUMINIO



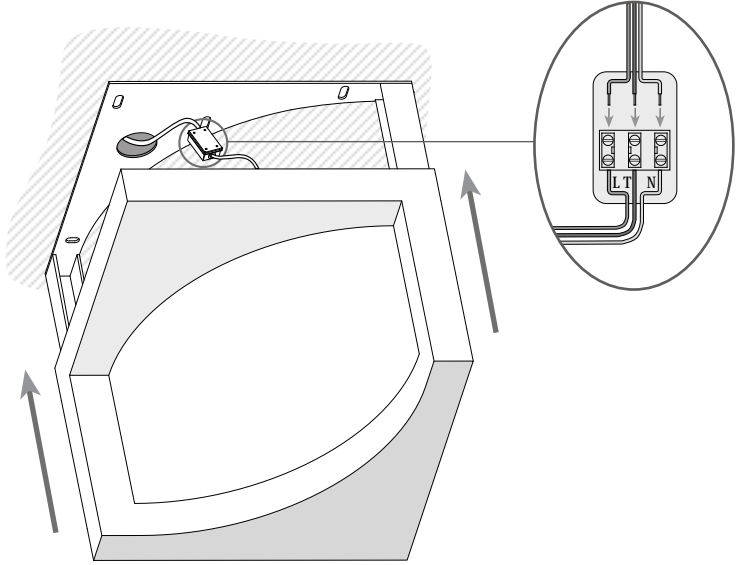
IRON / HIERRO



1



2



3

