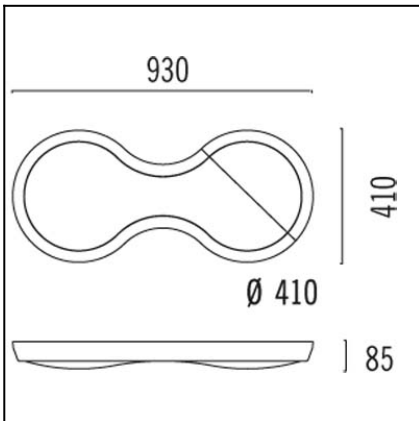


Design by Josep Patsí


The photograph may not match the reference exactly. Please read the product description to identify the finish.


TECHNICAL CHARACTERISTICS

Type:	Ceiling fixture
IP Protection degrees:	IP20
Lampholder:	2 x 2GX13. Neutral white (5000 - 3700 K)
Power (W):	2GX13 55W
Bulb included:	2 x 2GX13 55W. Neutral white (5000 - 3700 K)
Voltage / Frequency:	220-240V/50-60Hz
Units per box:	1
Net Weight (Kg):	5.42
EAN:	8435111071069


MATERIALS / FINISHES
Structure material: Polyurethane

Diffuser material: Methacrylate

Structure finish: Matt white

Diffuser finish: Opal

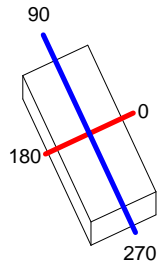
GEAR

Multi-voltage electronic gear included (220-240V / 50-60 Hz)

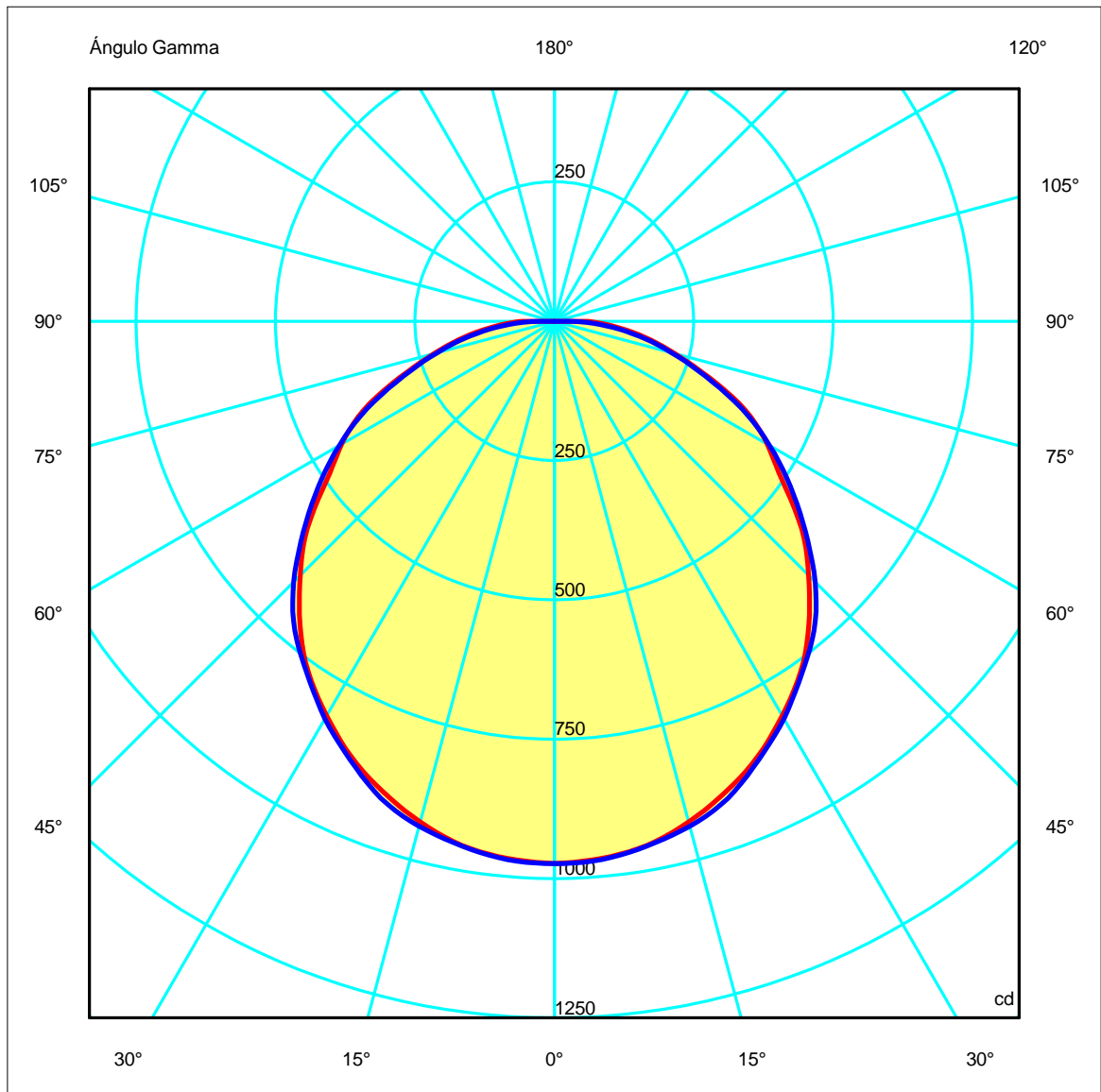
[Download photometric file .ldt / .ies](#)

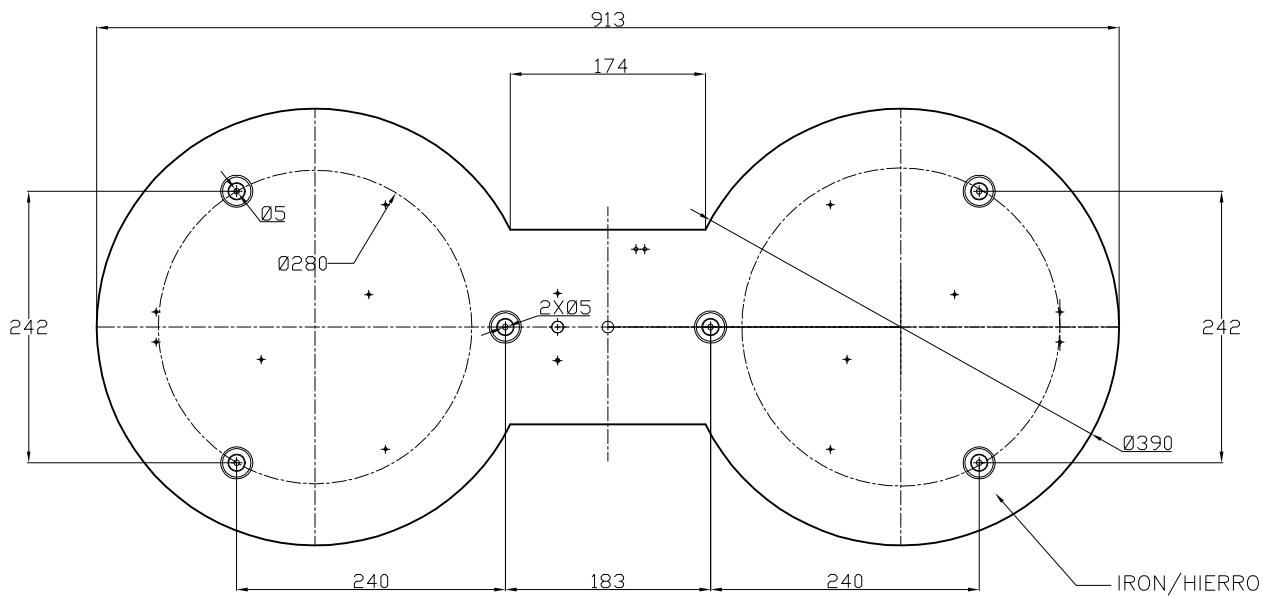
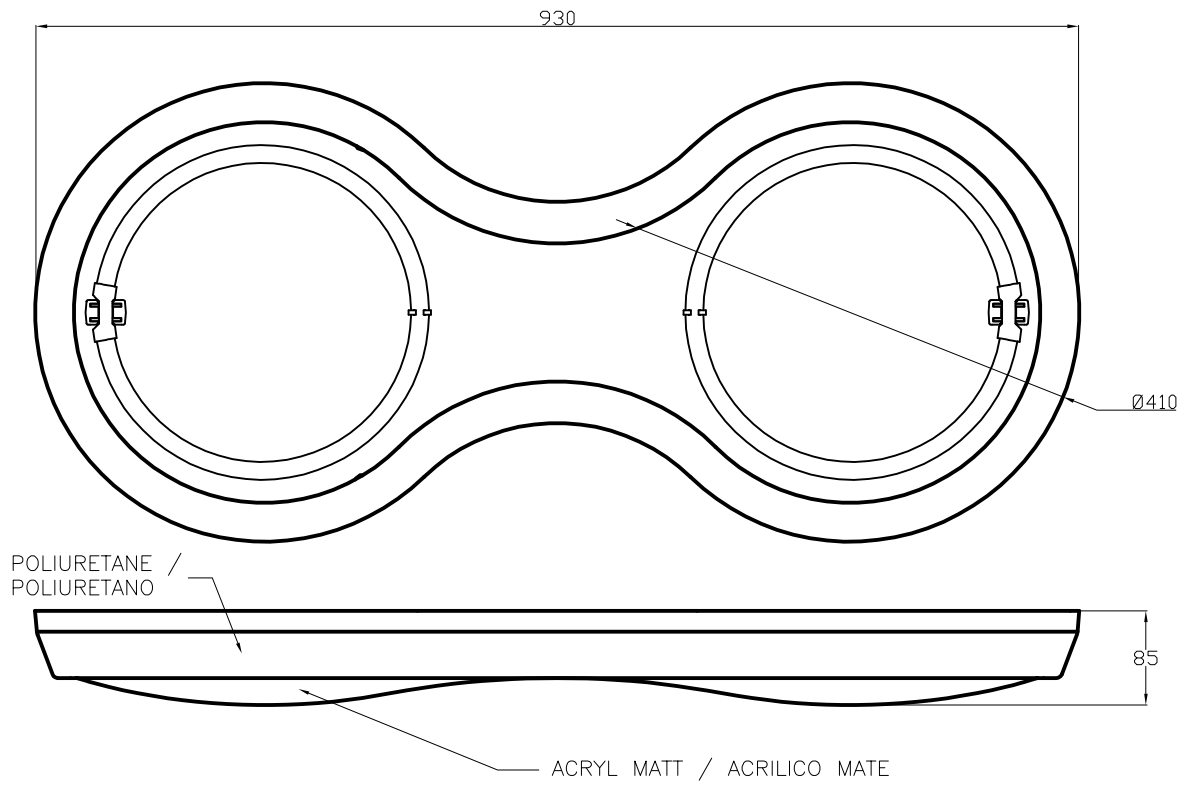
Luminaria		Ensayo		Lámpara	
Código	15-2806-14-M1	Código	15-2806-14-M1	Código	TL5 cir s80p 55W/840
Nombre	Aplique 2x55W 2GX13	Nombre	Aplique 2x55W 2GX13	Número	2
Familia	- LEDS-C4	Fecha	14-02-2010	Posición	Universal
Eficiencia	34.55%	Sist. de Coorden.	C-G	Flujo Total	8400.00 lm
Valor Máximo	973.08 cd	Posición	C=0.00 G=0.00	Bisimétrico	

900mm x 400mm

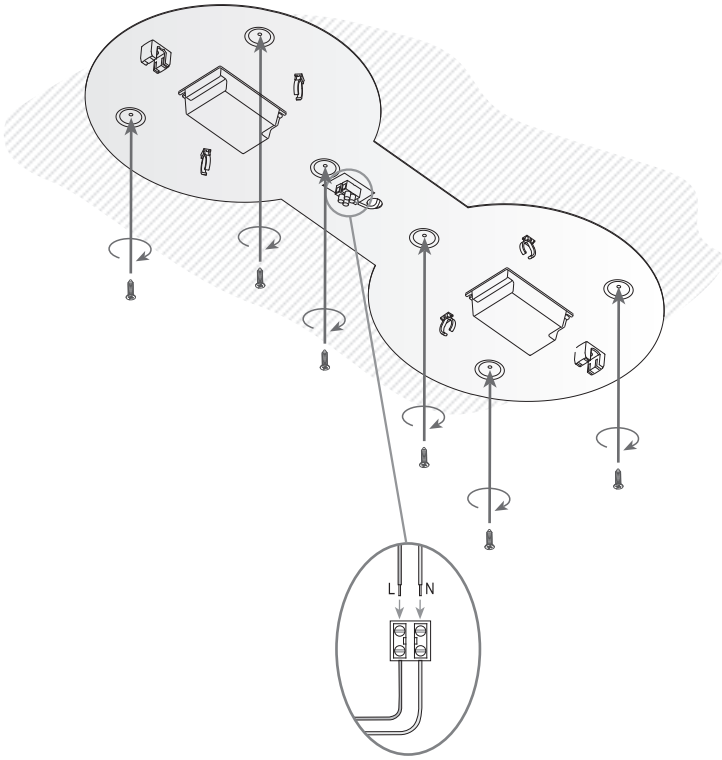


Semiplanos C

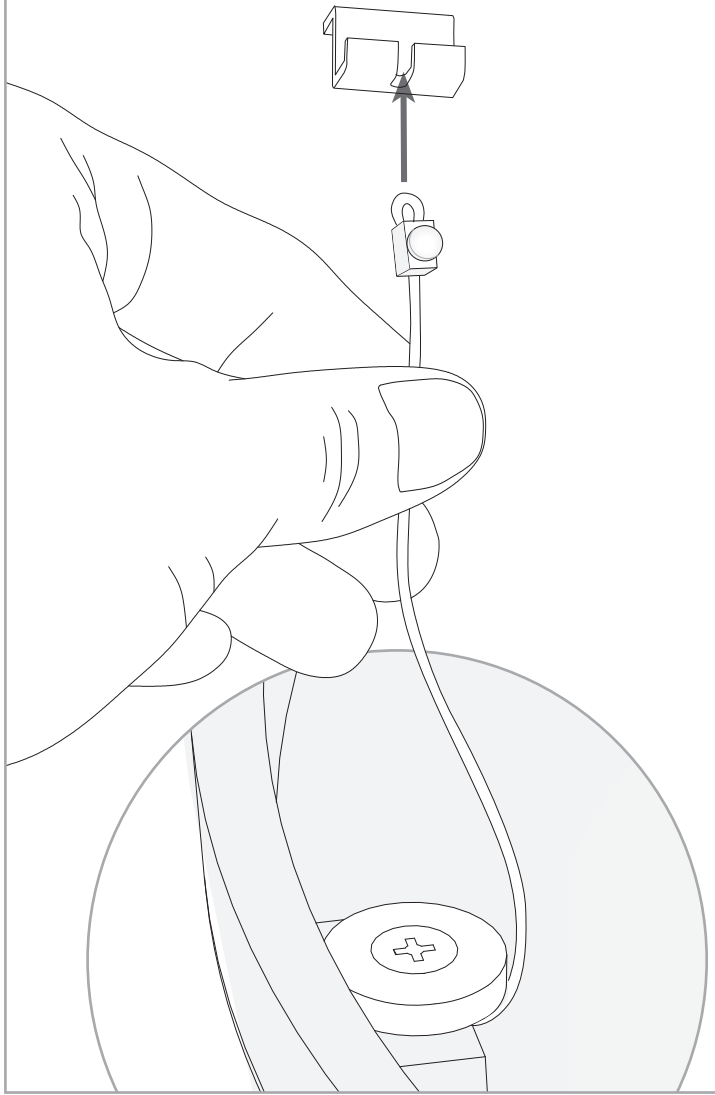
 180.0 ———— 0.0
 270.0 ———— 90.0




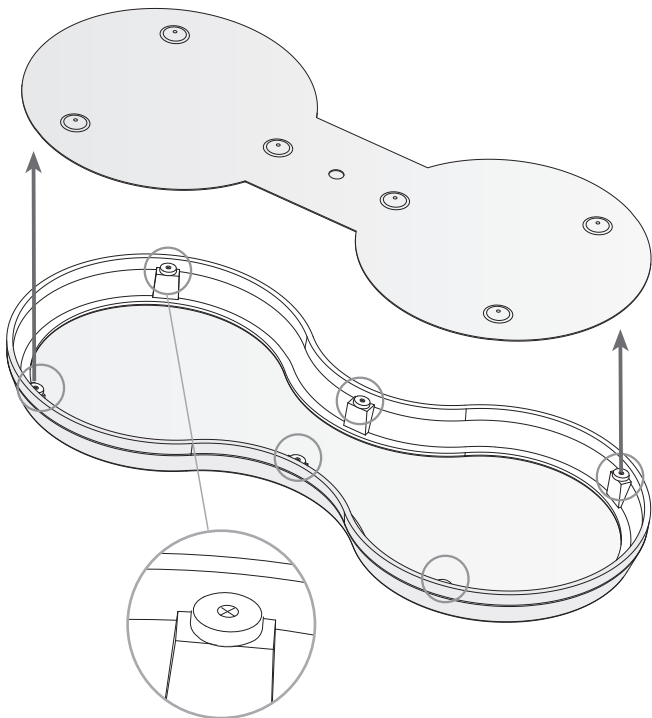
1



2



3



4

