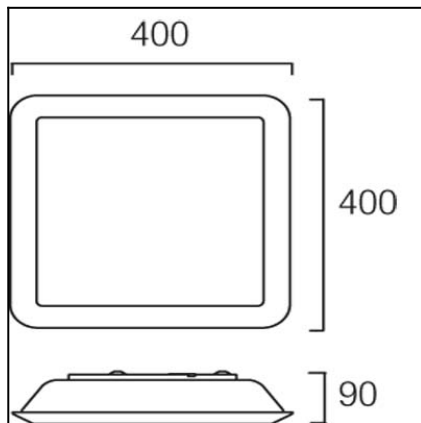


Design by Josep Patsí



The photograph may not match the reference exactly. Please read the product description to identify the finish.



[Download photometric file .ldt / .ies](#)

TECHNICAL CHARACTERISTICS

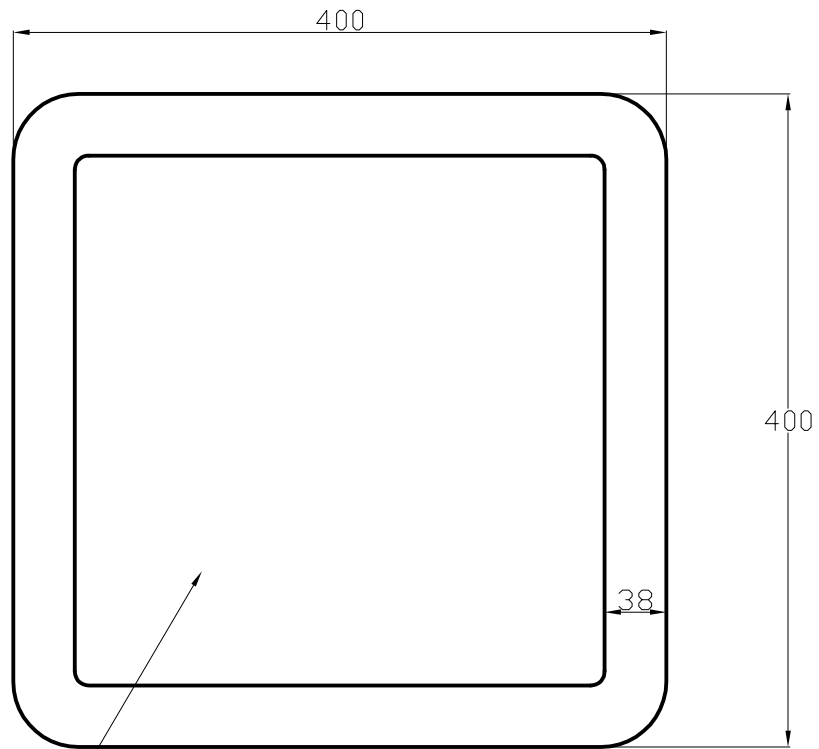
Type:	Ceiling fixture
IP Protection degrees:	IP20
Lampholder:	1 x R7s
Power (W):	R7s MAX 160W
Bulb included:	1 x R7s 120W
Total power consumption (W):	160
Voltage / Frequency:	230V/50-60Hz
Units per box:	1
Net Weight (Kg):	4.59
EAN:	8435111073636



MATERIALS / FINISHES

Structure material: Steel
Structure finish: Chrome

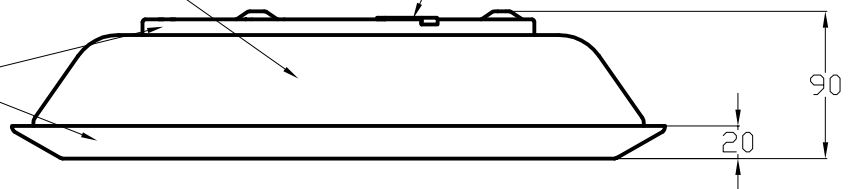
Diffuser material: Glass
Diffuser finish: Triplex opal glass



MATT OPAL GLASS /
CRISTAL OPAL MATE

IRON / HIERRO

IRON / HIERRO



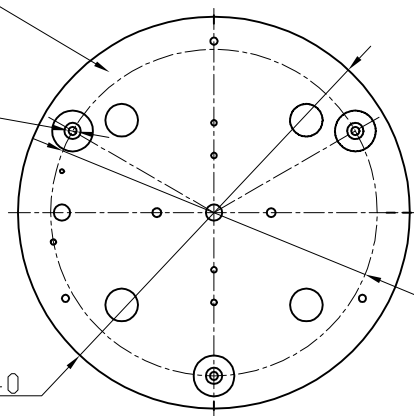
IRON / HIERRO

3xØ5(120°)

Ø200

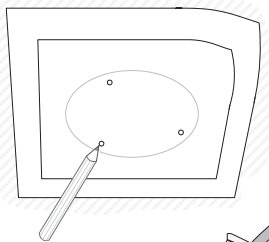
Ø240

14.5

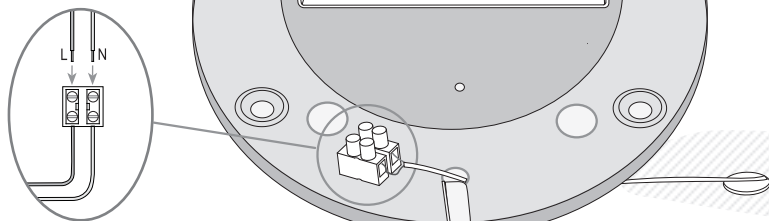


1

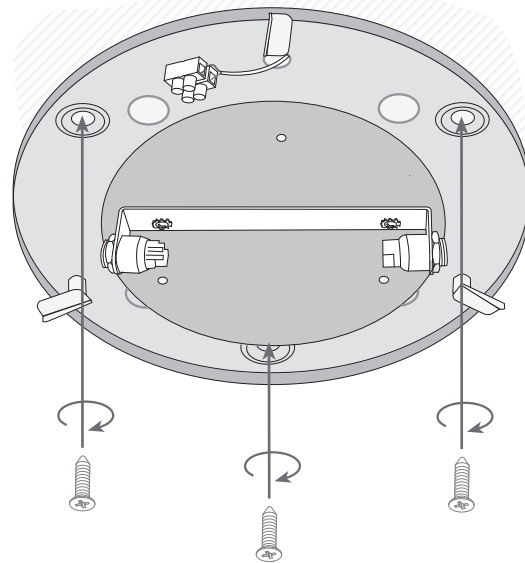
a



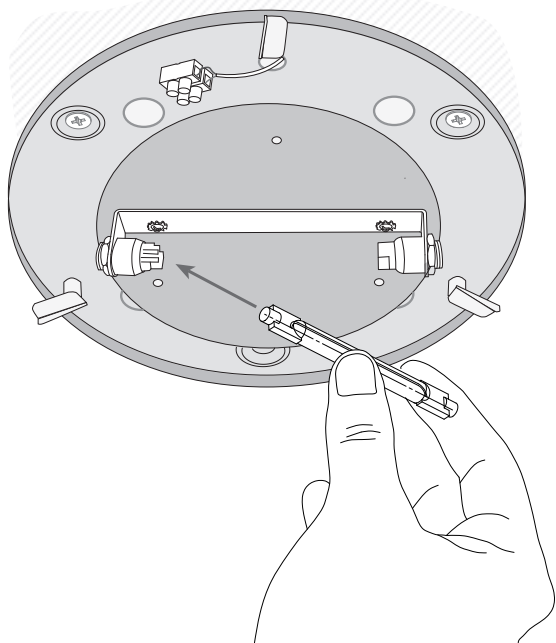
b



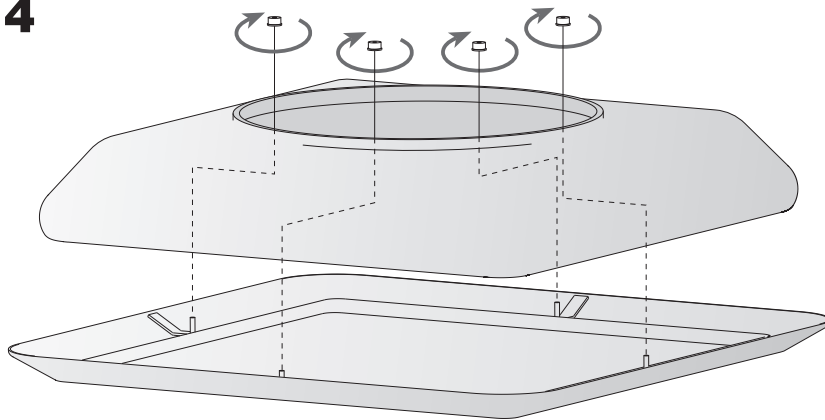
2



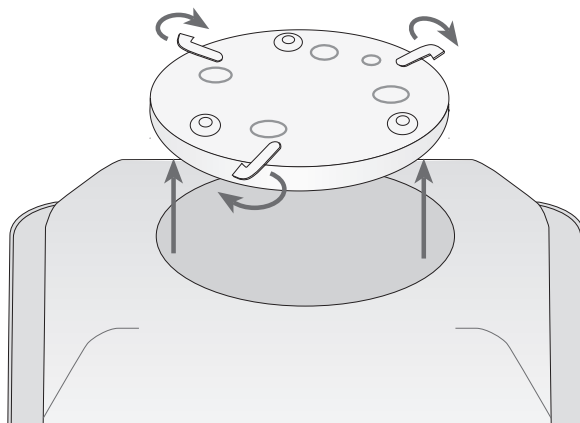
3



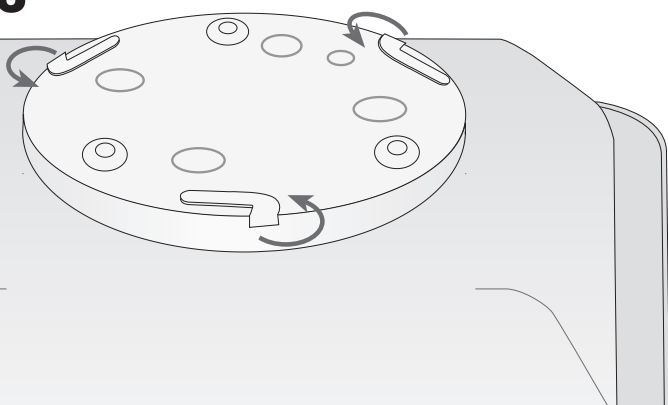
4



5



6



7

