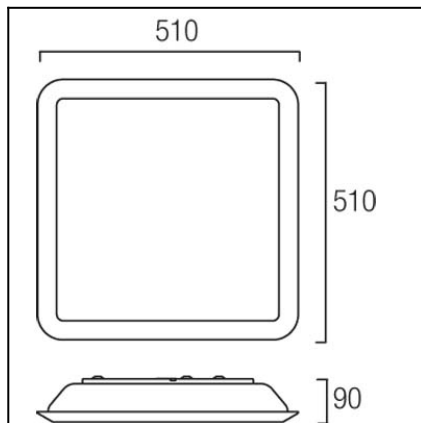


Design by Josep Patsí



The photograph may not match the reference exactly. Please read the product description to identify the finish.



[Download photometric file .ldt / .ies](#)

### TECHNICAL CHARACTERISTICS

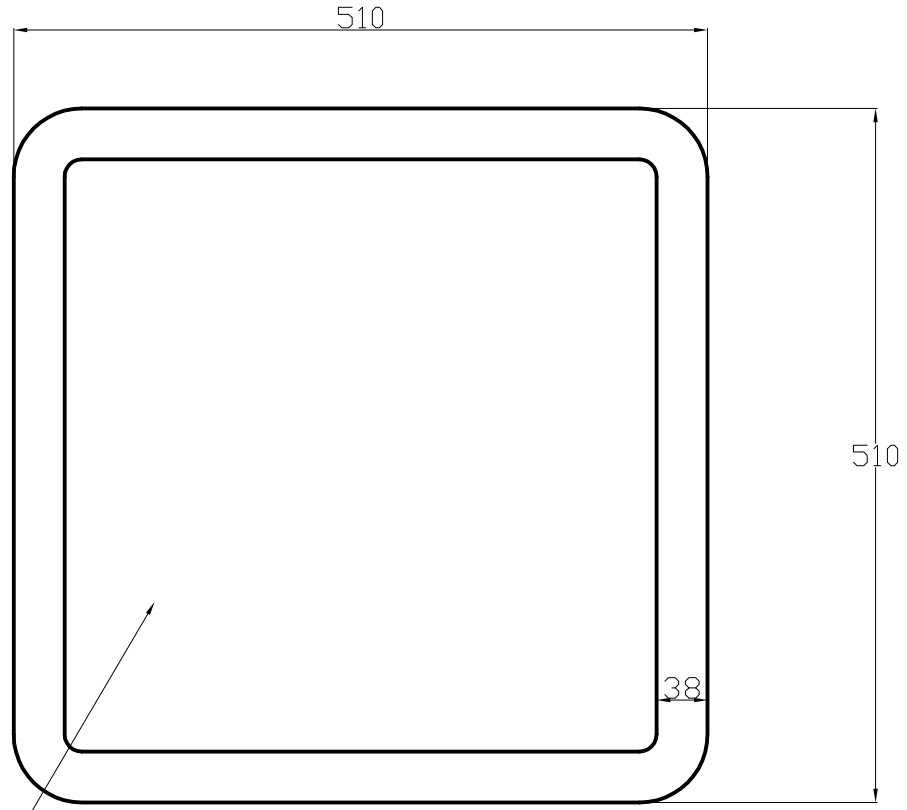
Type:	Ceiling fixture
IP Protection degrees:	IP20
Lampholder:	1 x R7s
Power (W):	R7s MAX 230W
Bulb included:	1 x R7s 230W
Total power consumption (W):	230
Voltage / Frequency:	230V/50-60Hz
Units per box:	1
Net Weight (Kg):	9
EAN:	8435111073643



### MATERIALS / FINISHES

**Structure material:** Steel  
**Structure finish:** Chrome

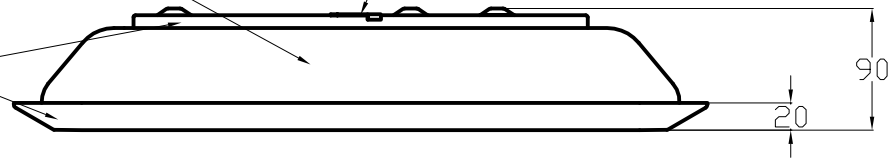
**Diffuser material:** Glass  
**Diffuser finish:** Triplex opal glass



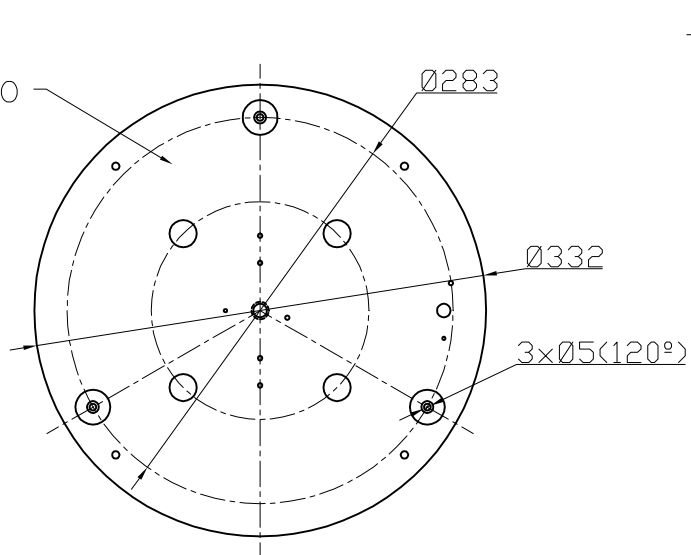
MATT OPAL GLASS /  
CRISTAL OPAL MATE

IRON / HIERRO

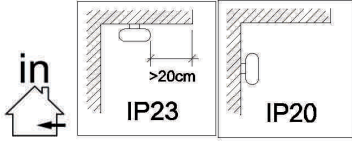
IRON / HIERRO



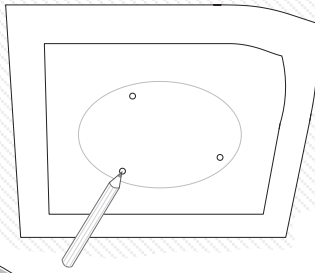
IRON / HIERRO



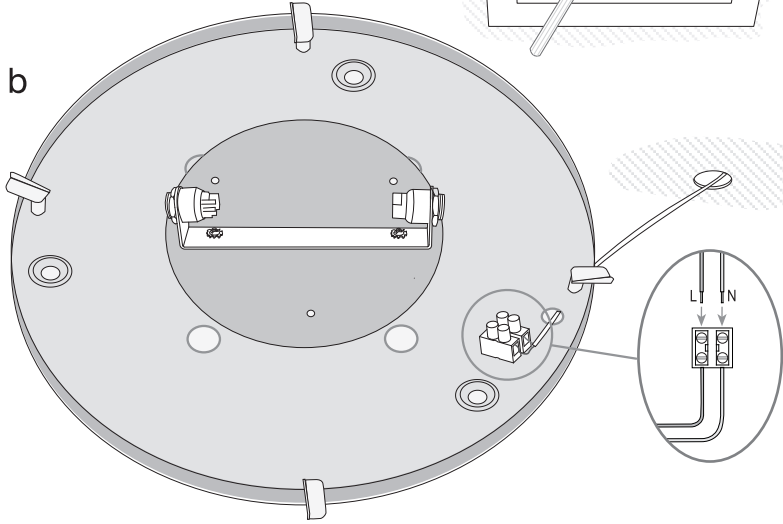
1



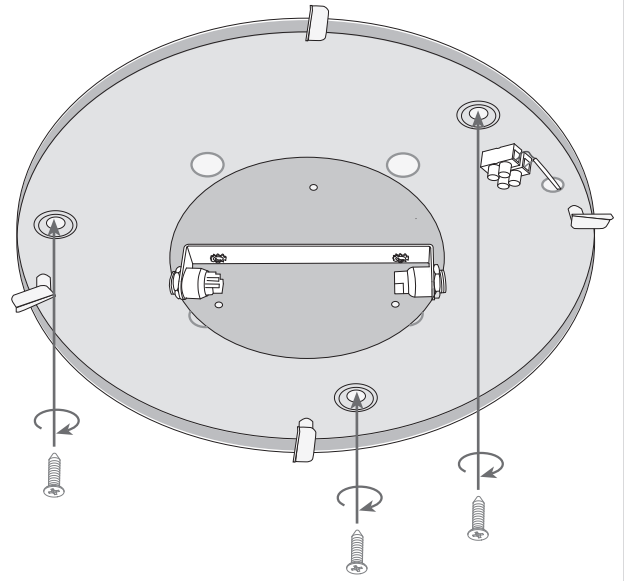
a



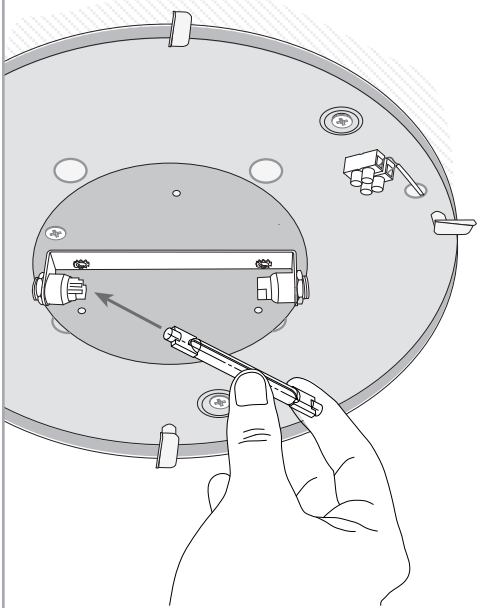
b



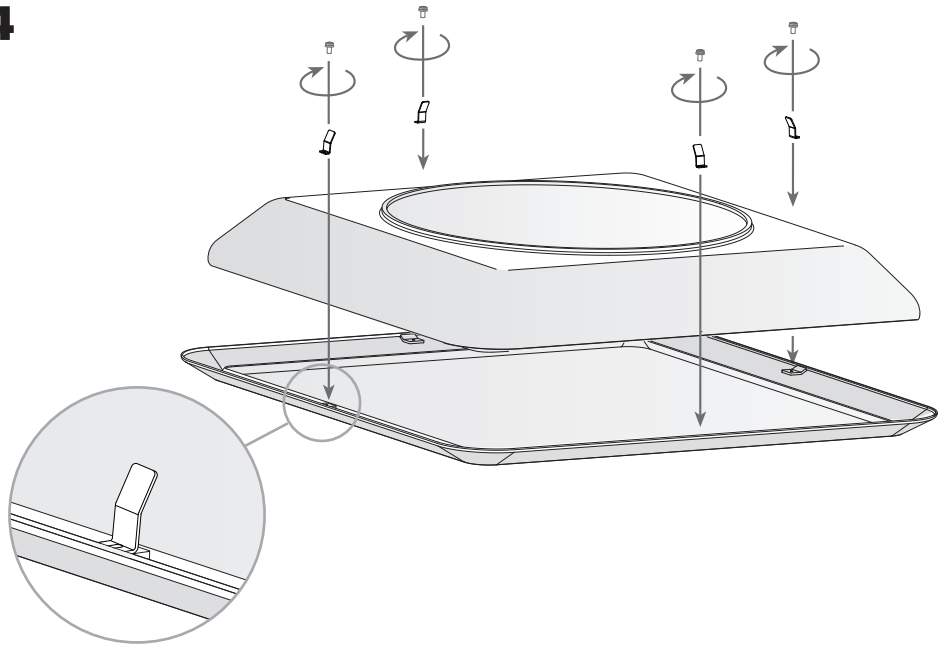
2



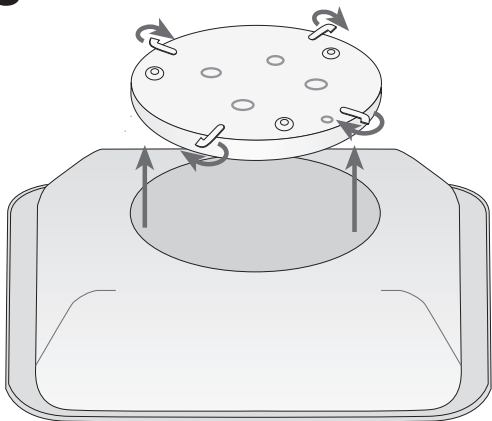
3



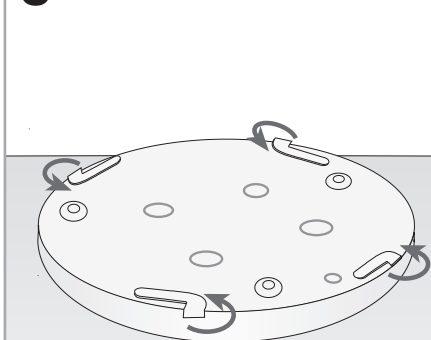
4



5



6



7

