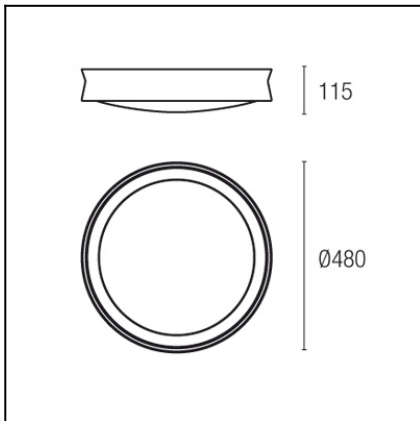


Design by Nahtrang Design



The photograph may not match the reference exactly. Please read the product description to identify the finish.



TECHNICAL CHARACTERISTICS

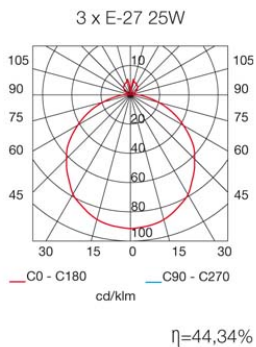
Type:	Ceiling fixture
IP Protection degrees:	IP23
Lampholder:	3 x E27
Power (W):	E27 MAX 25W
Total power consumption (W):	75
Voltage / Frequency:	220-240V/50-60Hz
Units per box:	2
Net Weight (Kg):	1.95
EAN:	8435111074008



MATERIALS / FINISHES

Structure material: Steel
Structure finish: White

Diffuser material: Acrylic
Diffuser finish: White
 Opal



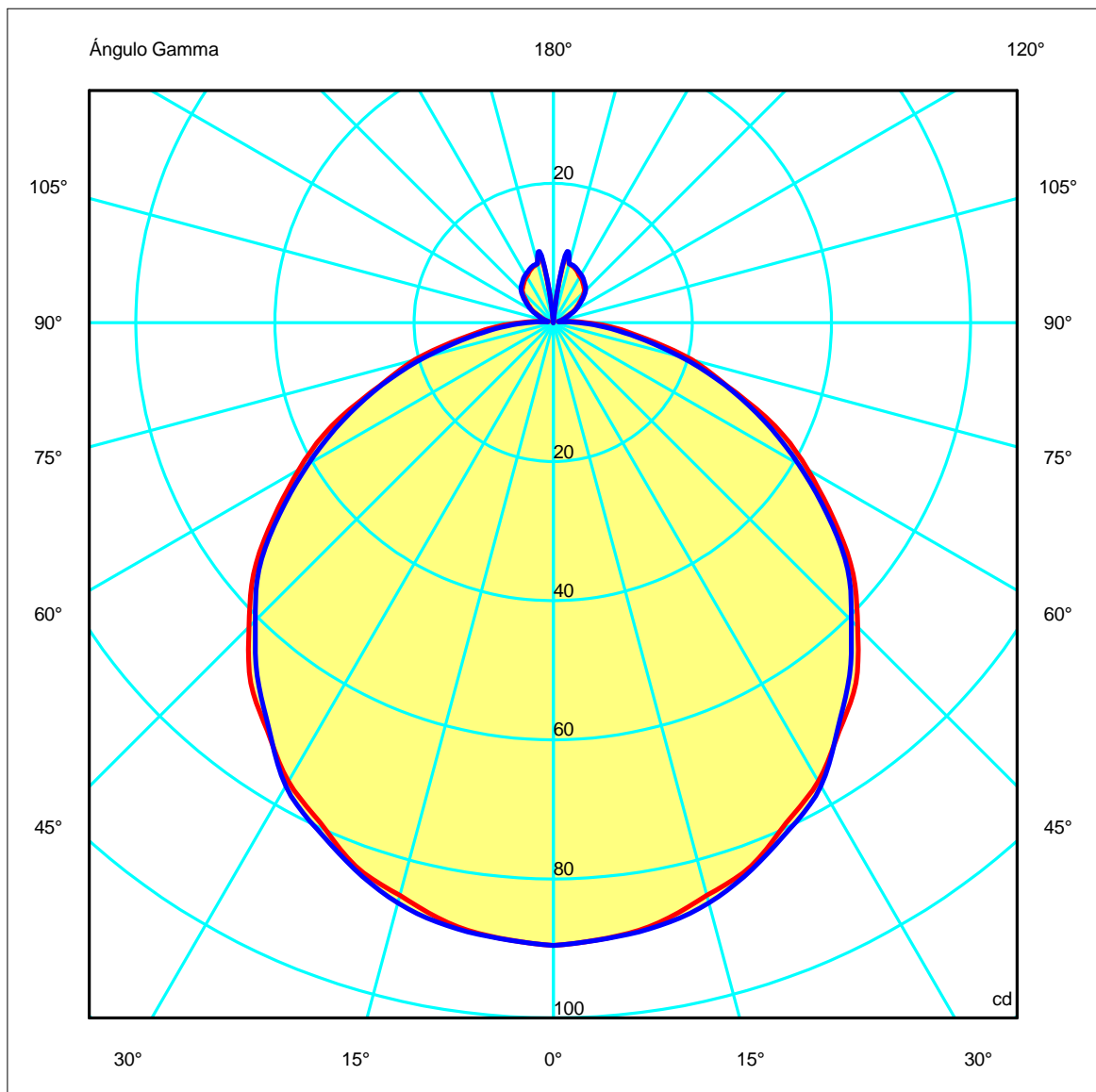
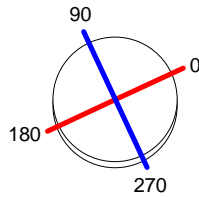
Download photometric file .ldt /.ies

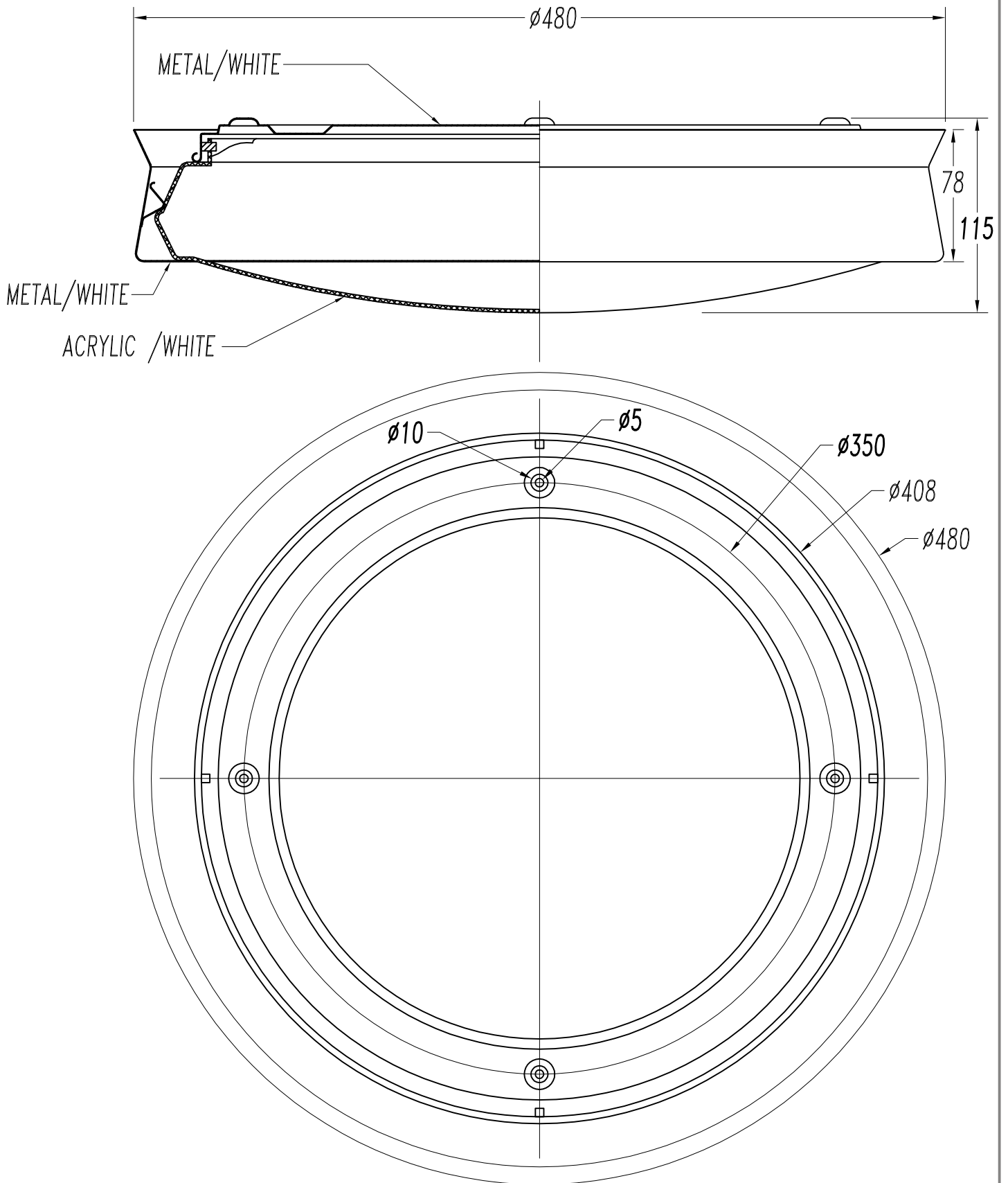
Luminaria		Ensayo		Lámpara	
Código 15-4336-14-M1		Código 15-4336-14-M1		Código STANDARD GOC 25W	
Nombre Aplique 3x25W incandesc. E27		Nombre Aplique 3x25W incandesc. E27		Número 3	
Familia - LEDS-C4		Fecha 01-03-2010		Posición	
Eficiencia	44.34%	Sist. de Coordin.	C-G	Flujo Total	660.00 lm
Valor Máximo	89.56 cd	Posición	C=0.00 G=0.00	Bisimétrico	

Diam=480mm

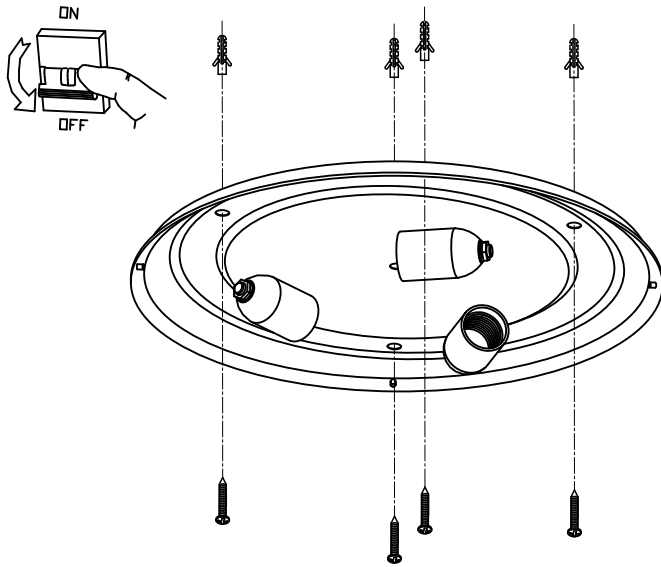
Semiplanos C

180.0 ———— 0.0
 270.0 ———— 90.0

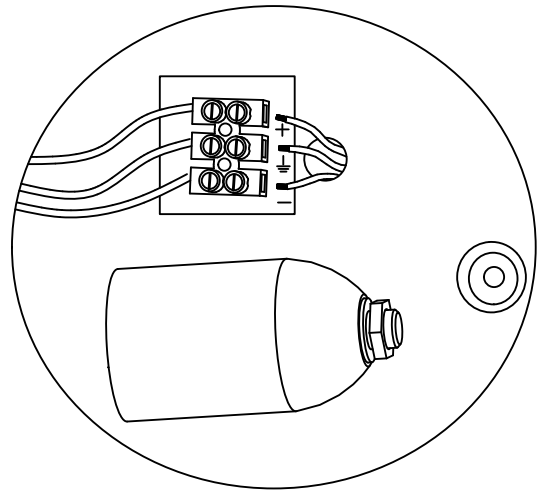




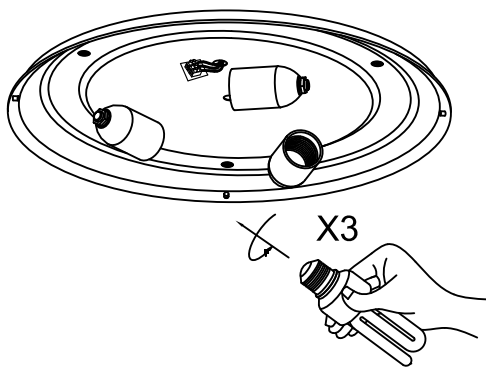
1



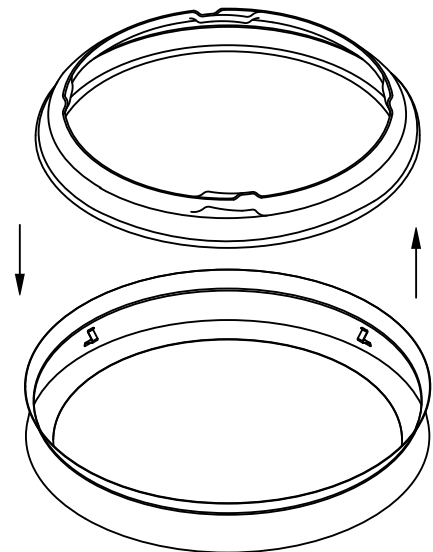
2



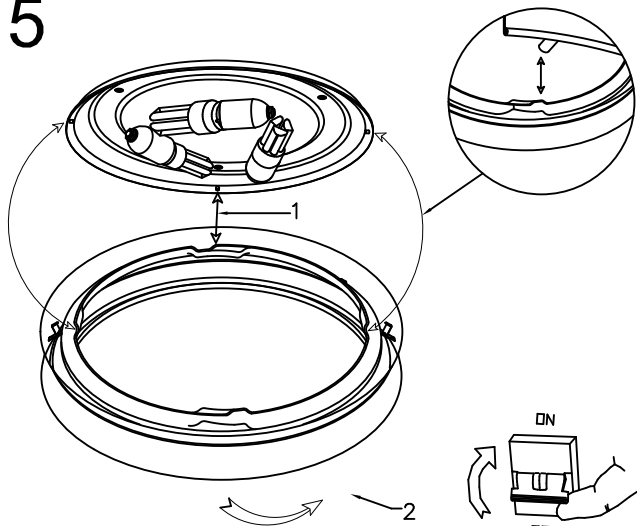
3



4



5



6

