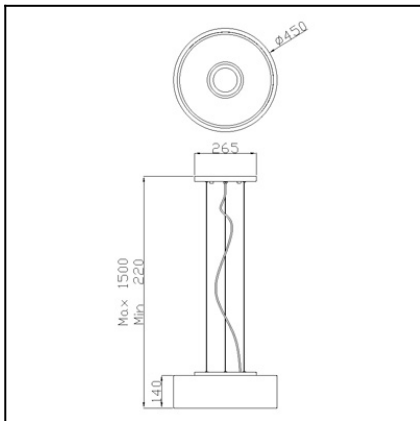


Design by Nahtrang Design


The photograph may not match the reference exactly. Please read the product description to identify the finish.



Download photometric file .ldt / .ies

TECHNICAL CHARACTERISTICS

Type:	Ceiling fixture
IP Protection degrees:	IP20
Lampholder:	3 x E27 1 x GU5.3
Power (W):	E27 23W GU5.3 50W
Voltage / Frequency:	230V/50-60Hz
Warranty (Years):	2
Units per box:	1
Net Weight (Kg):	3.48
EAN:	0,00


MATERIALS / FINISHES

Structure material: Steel	Diffuser material: Fabric shade Methacrylate
Structure finish: Chrome	Diffuser finish: Black Opal

GEAR

Gear included: Yes, electronic

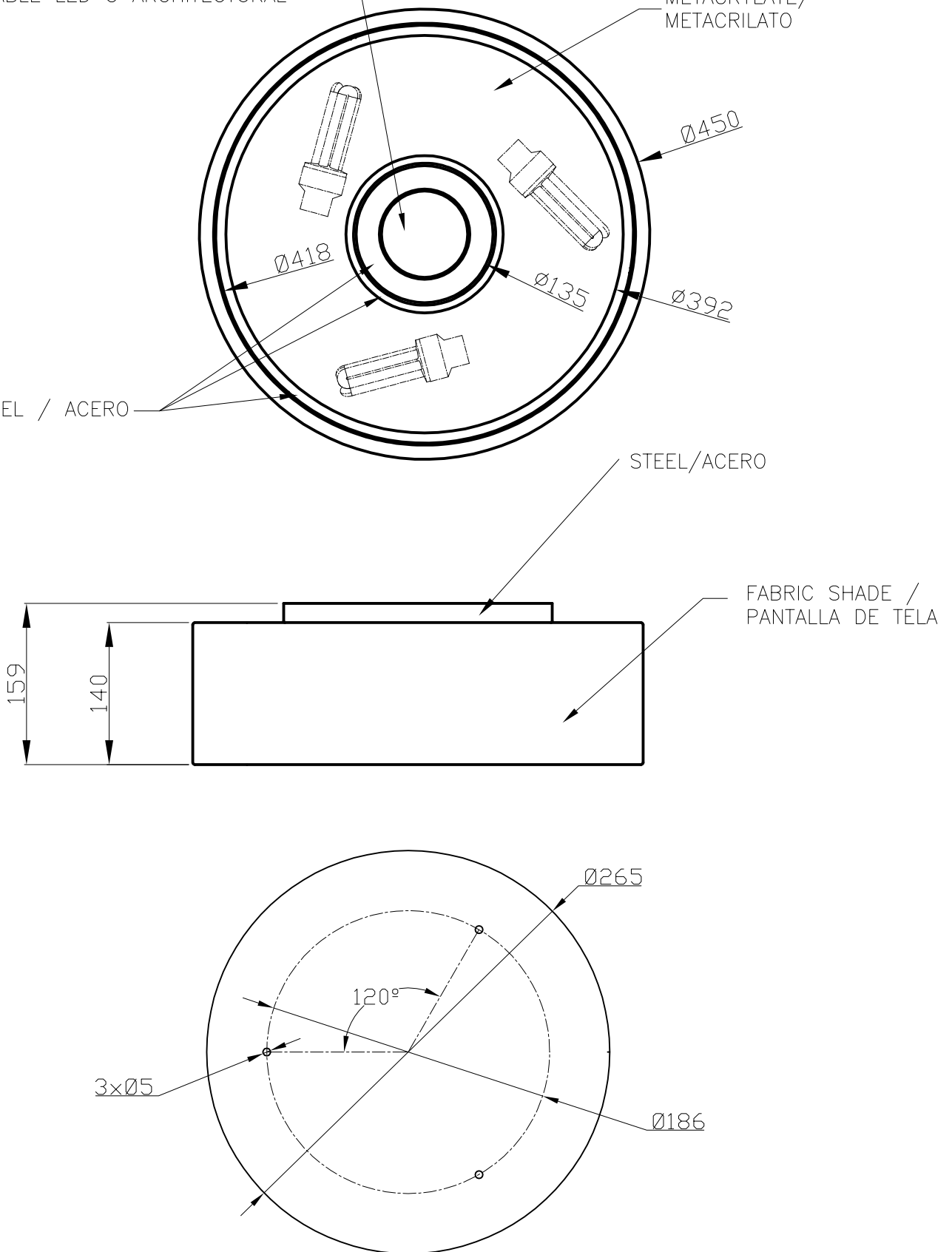
DOWNLIGHT LED OR ARCHITECTURAL /
EMPOTRABLE LED O ARCHITECTURAL

METACRYLATE /
METACRILATO

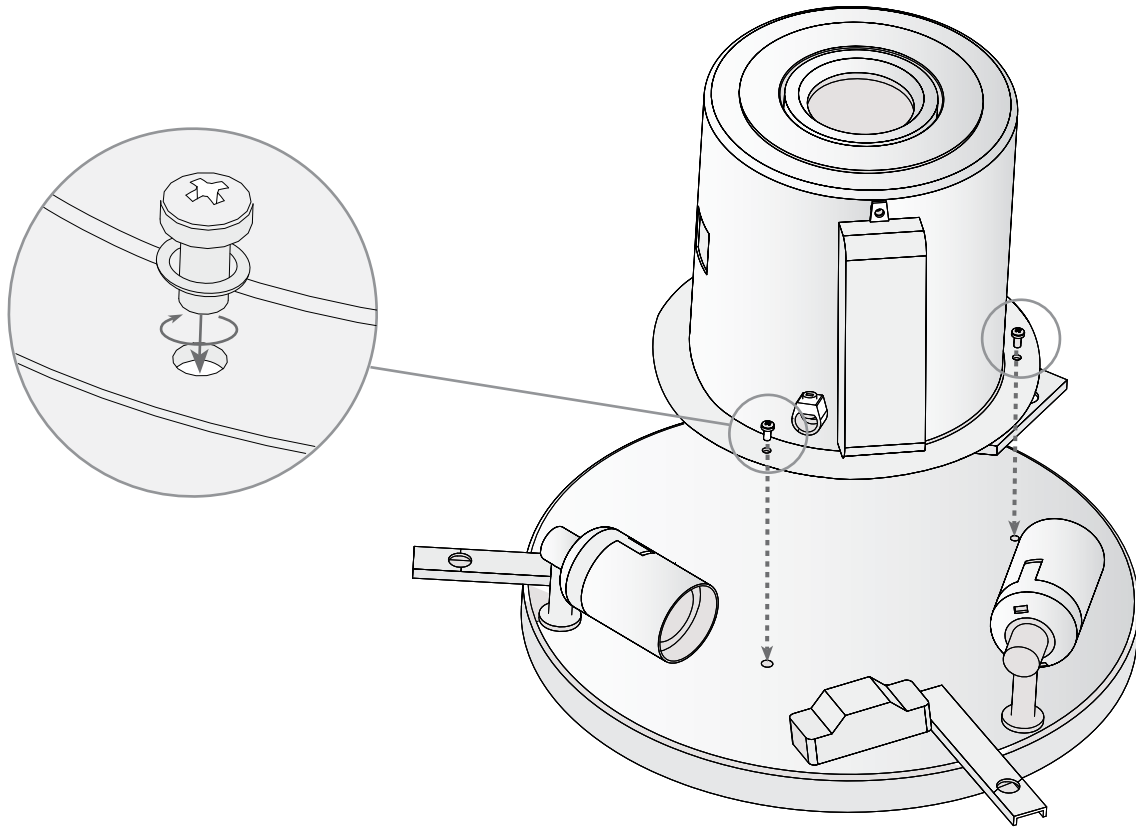
STEEL / ACERO

STEEL/ACERO

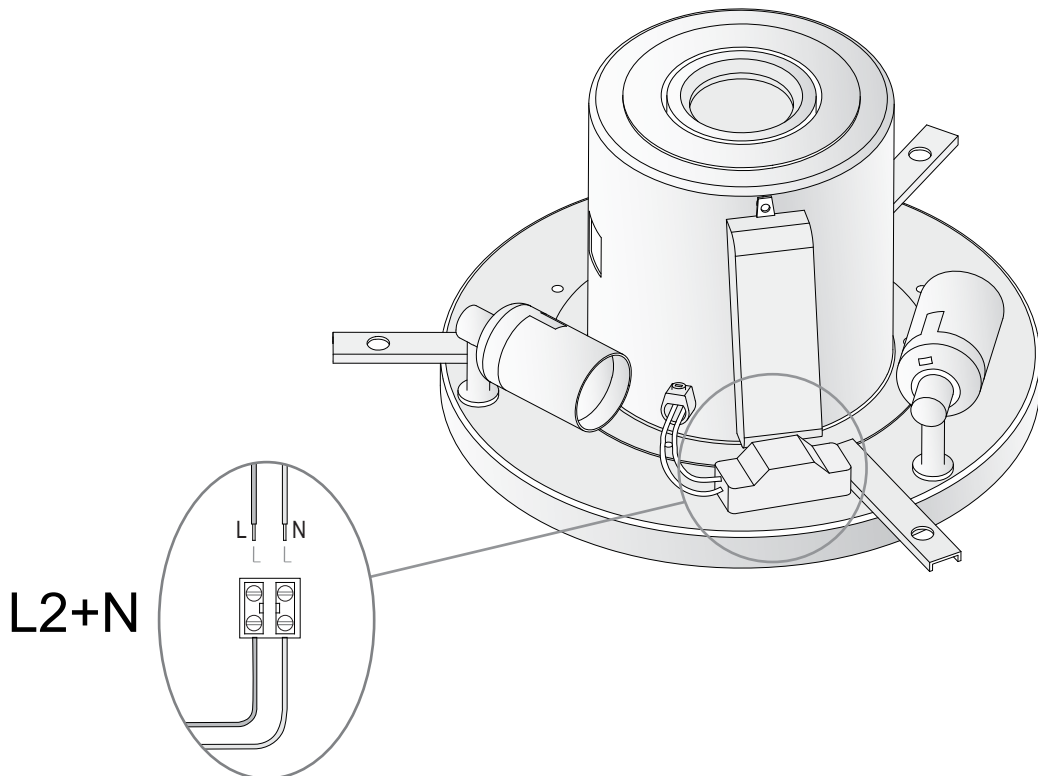
FABRIC SHADE /
PANTALLA DE TELA



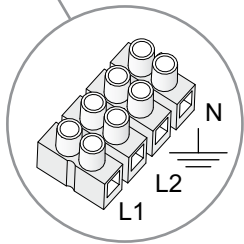
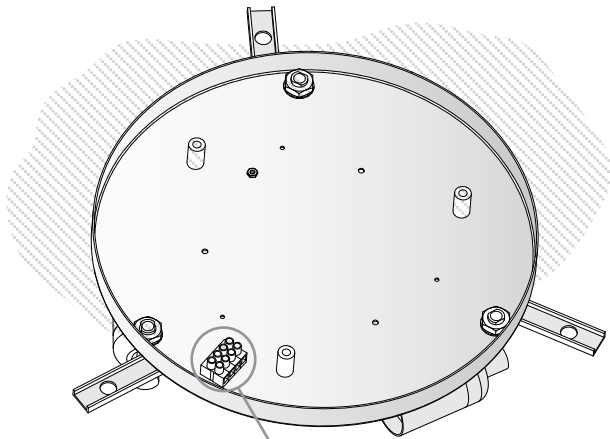
1A

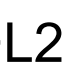


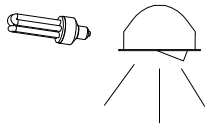
1B



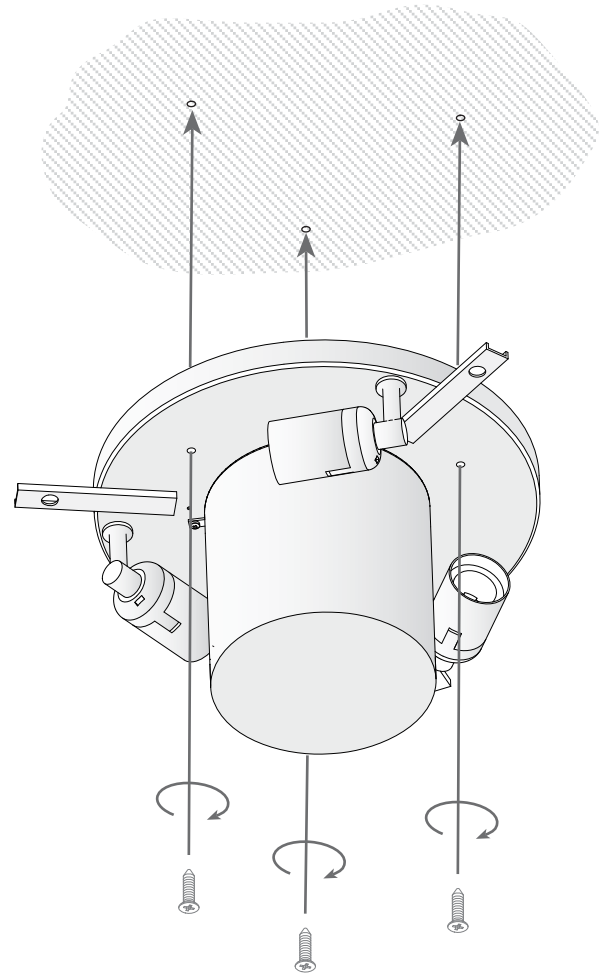
2A



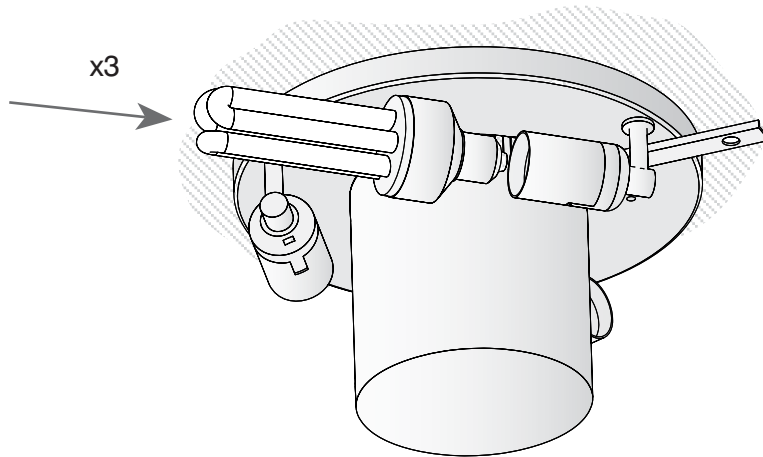
L1+L2++N



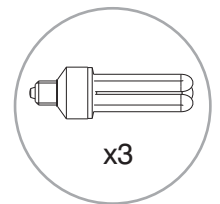
2B



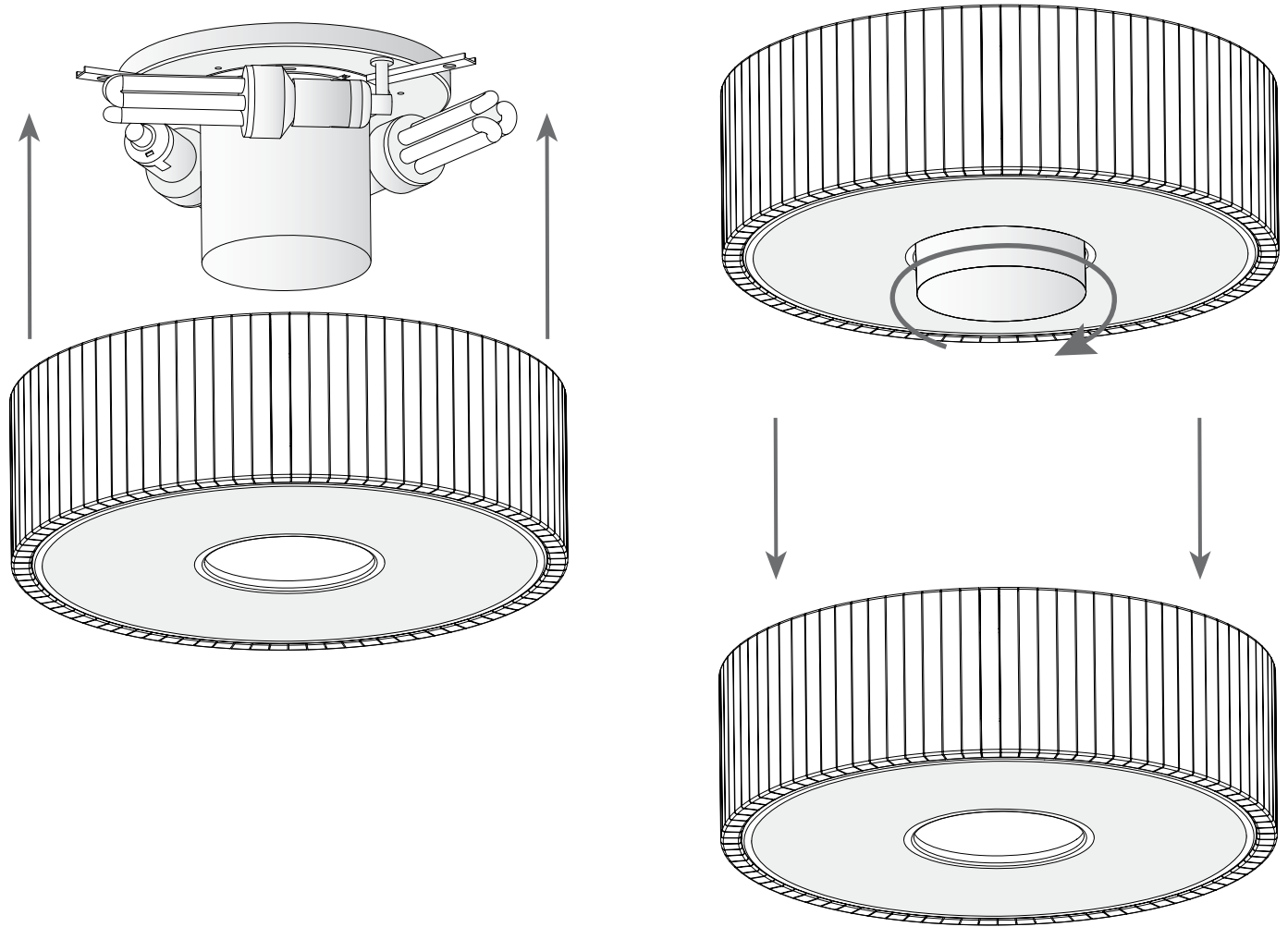
2C



x3



3A



3B

