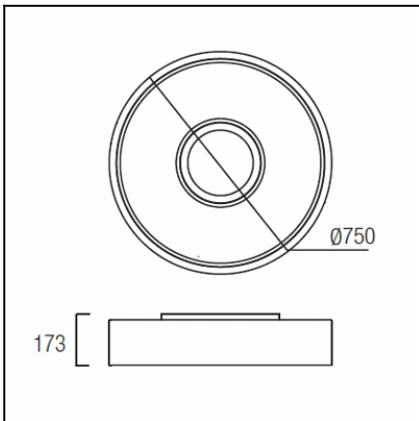


Design by Nahtrang Design

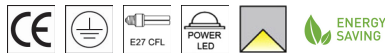

The photograph may not match the reference exactly. Please read the product description to identify the finish.



Download photometric file .ldt / .ies

TECHNICAL CHARACTERISTICS

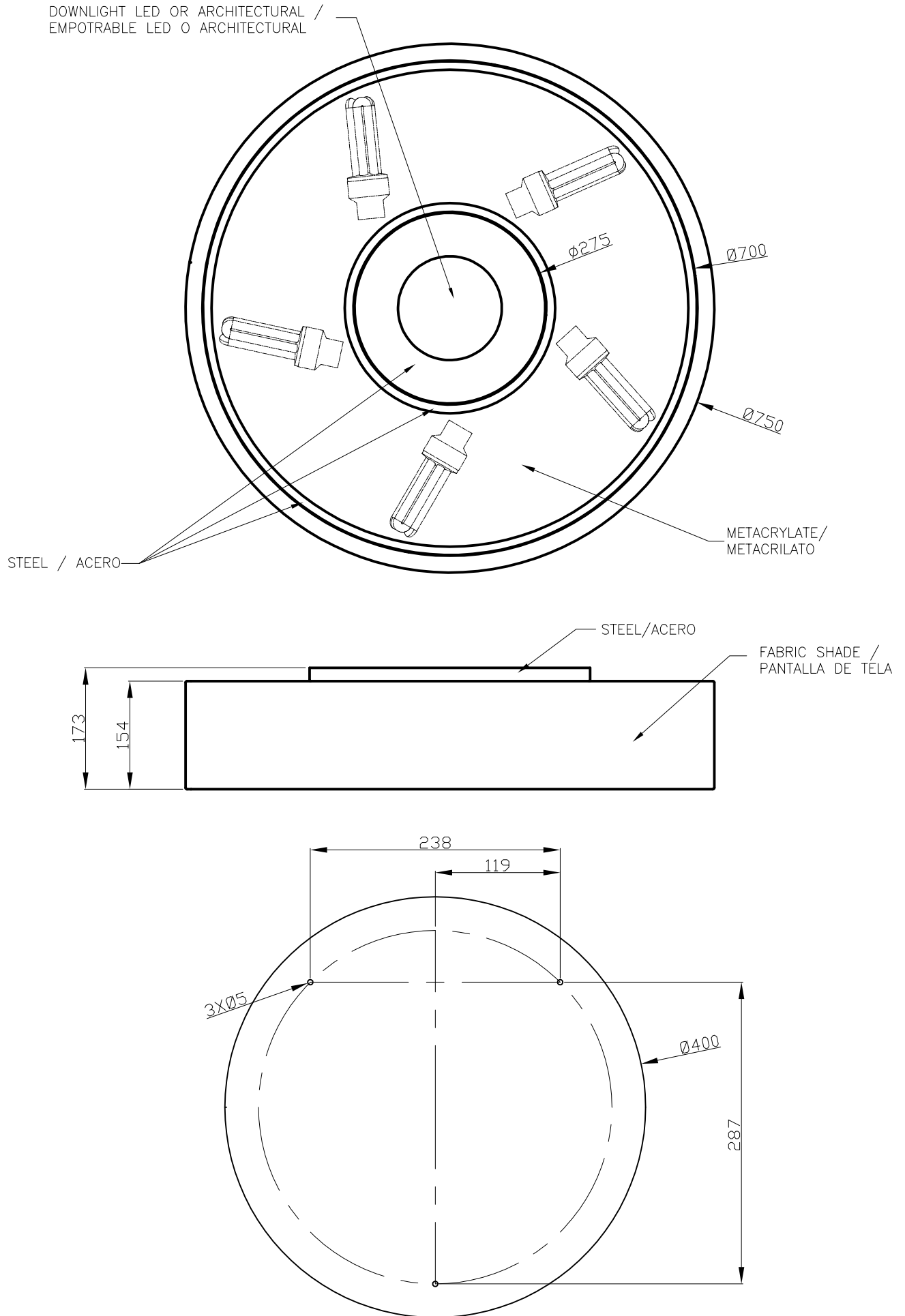
Type:	Ceiling fixture
IP Protection degrees:	IP20
Lampholder:	5 x E27 1 x LED Cree. Warm white (<3700 K)
Power (W):	E27 30W 9W/350mA
Voltage / Frequency:	230V/50-60Hz
Warranty (Years):	2
Option to extend the guarantee:	Yes, 5 years
Units per box:	1
Net Weight (Kg):	7.84
EAN:	0,00


MATERIALS / FINISHES

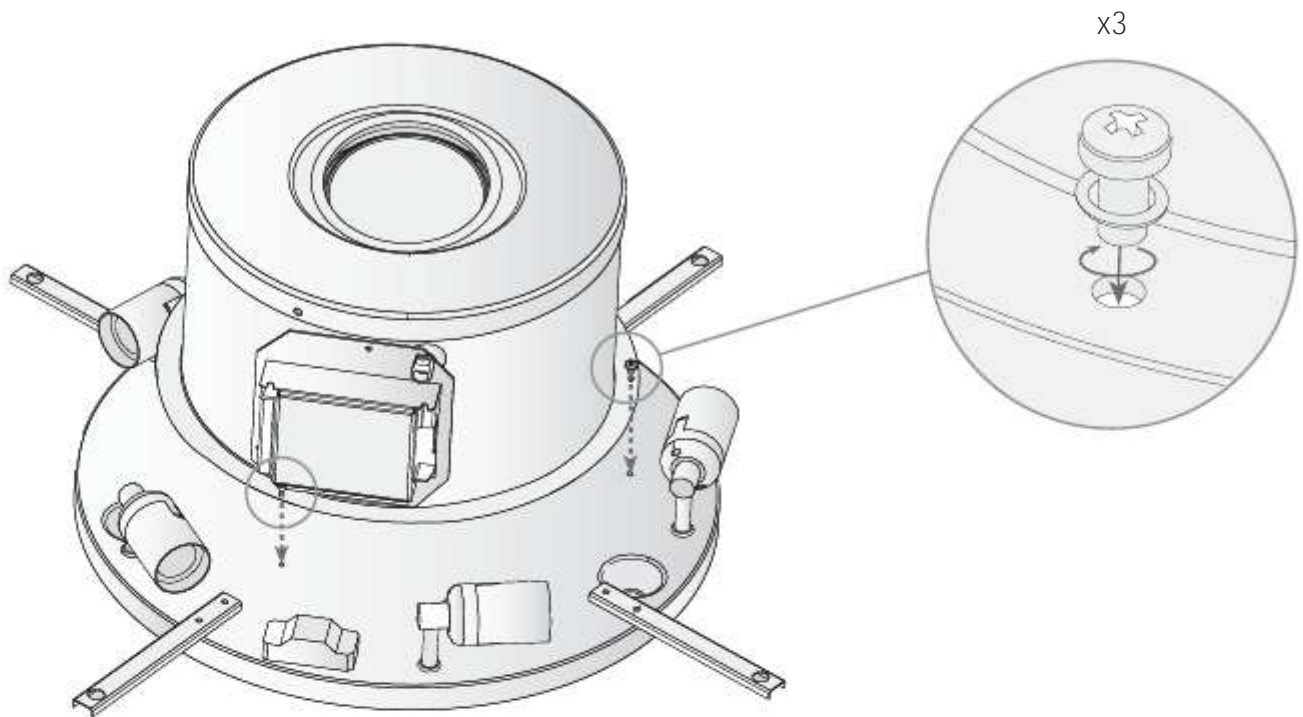
Structure material: Steel	Diffuser material: Fabric shade Methacrylate
Structure finish: Chrome	Diffuser finish: White Opal

GEAR

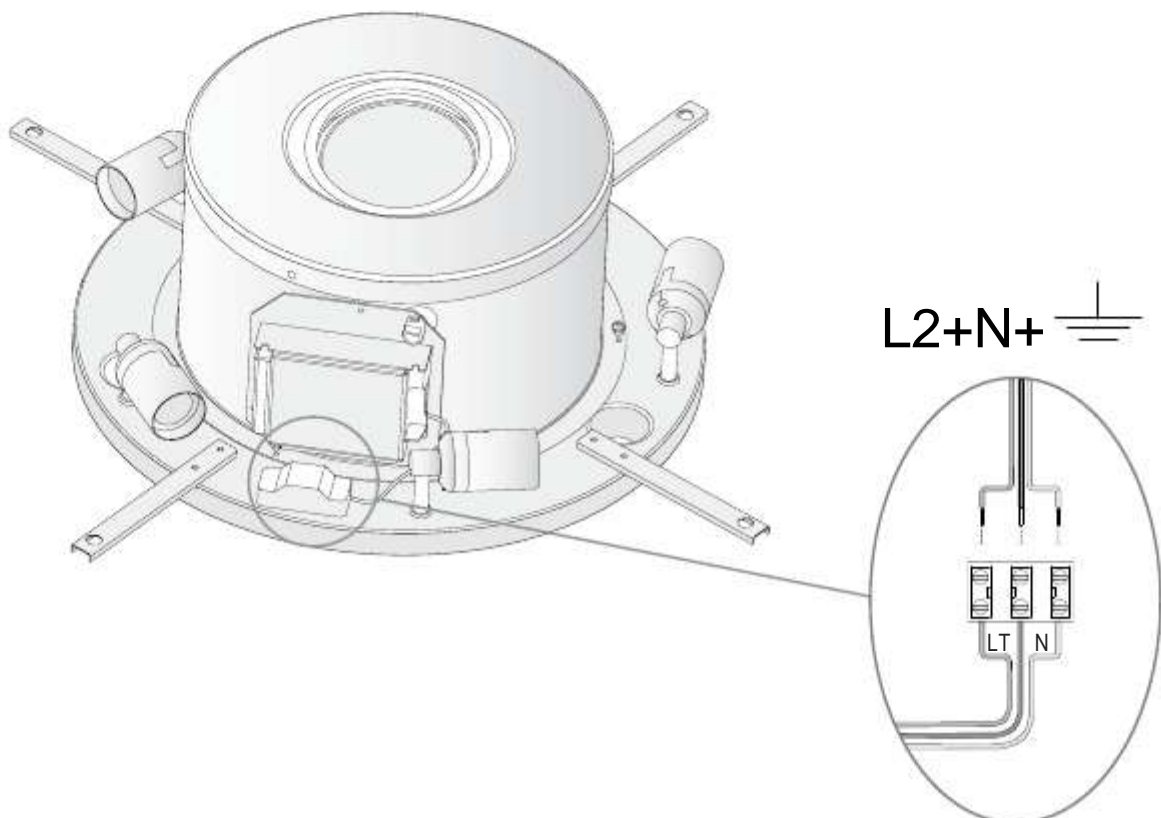
Multi-voltage electronic gear included (110-240 V / 50-60 Hz)



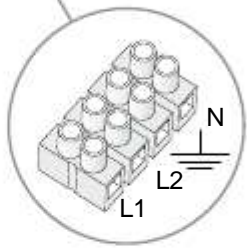
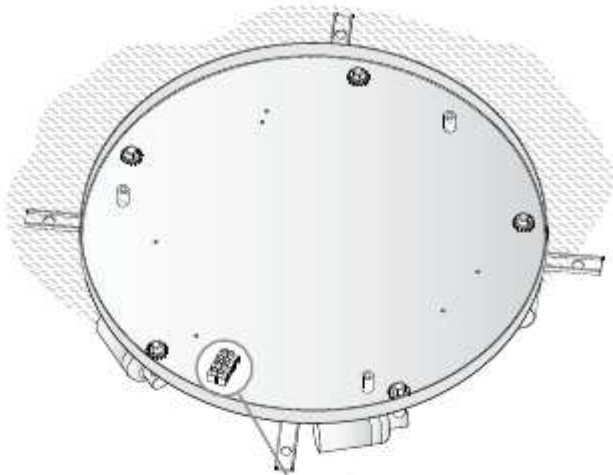
1A

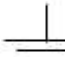


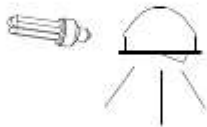
1B



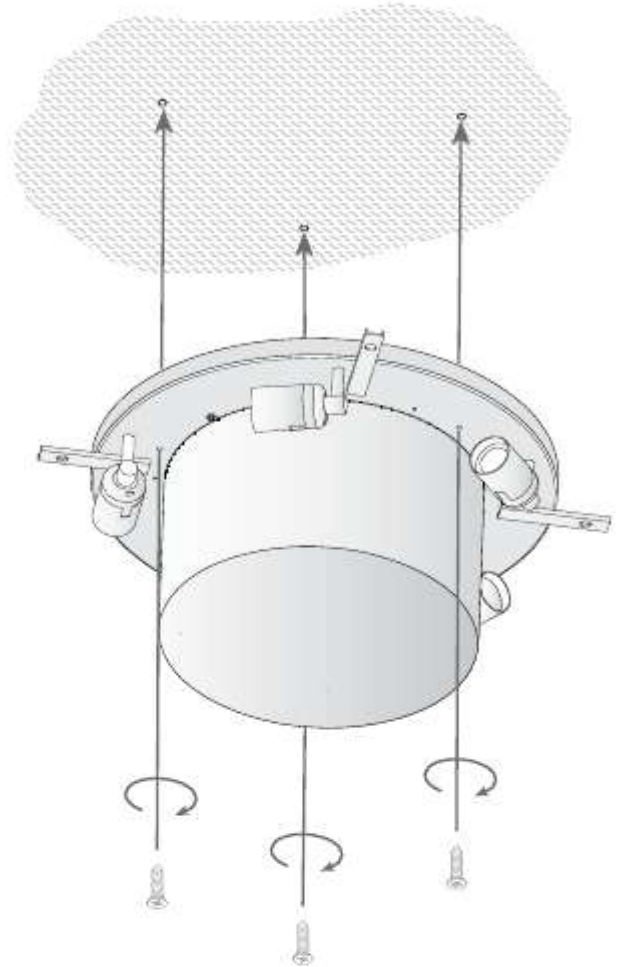
2A



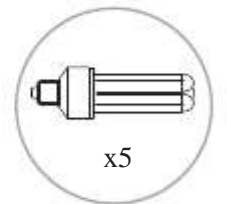
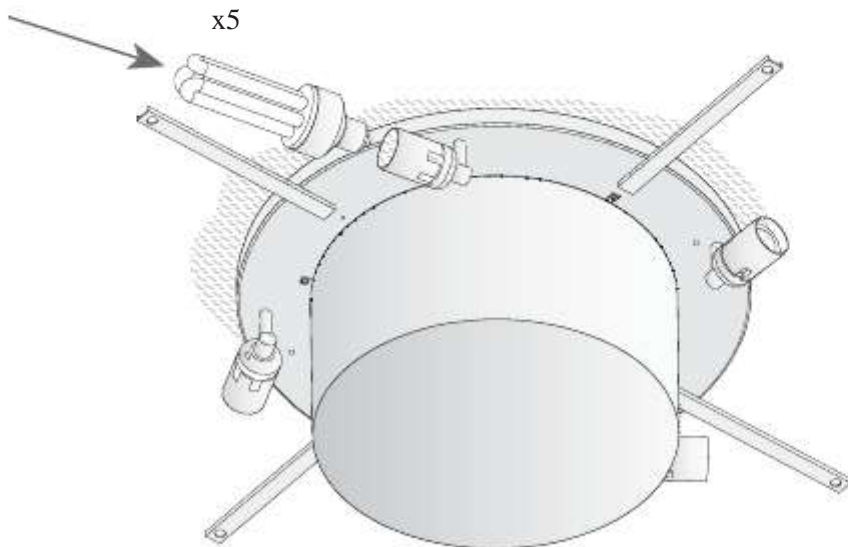
L1+L2+  +N



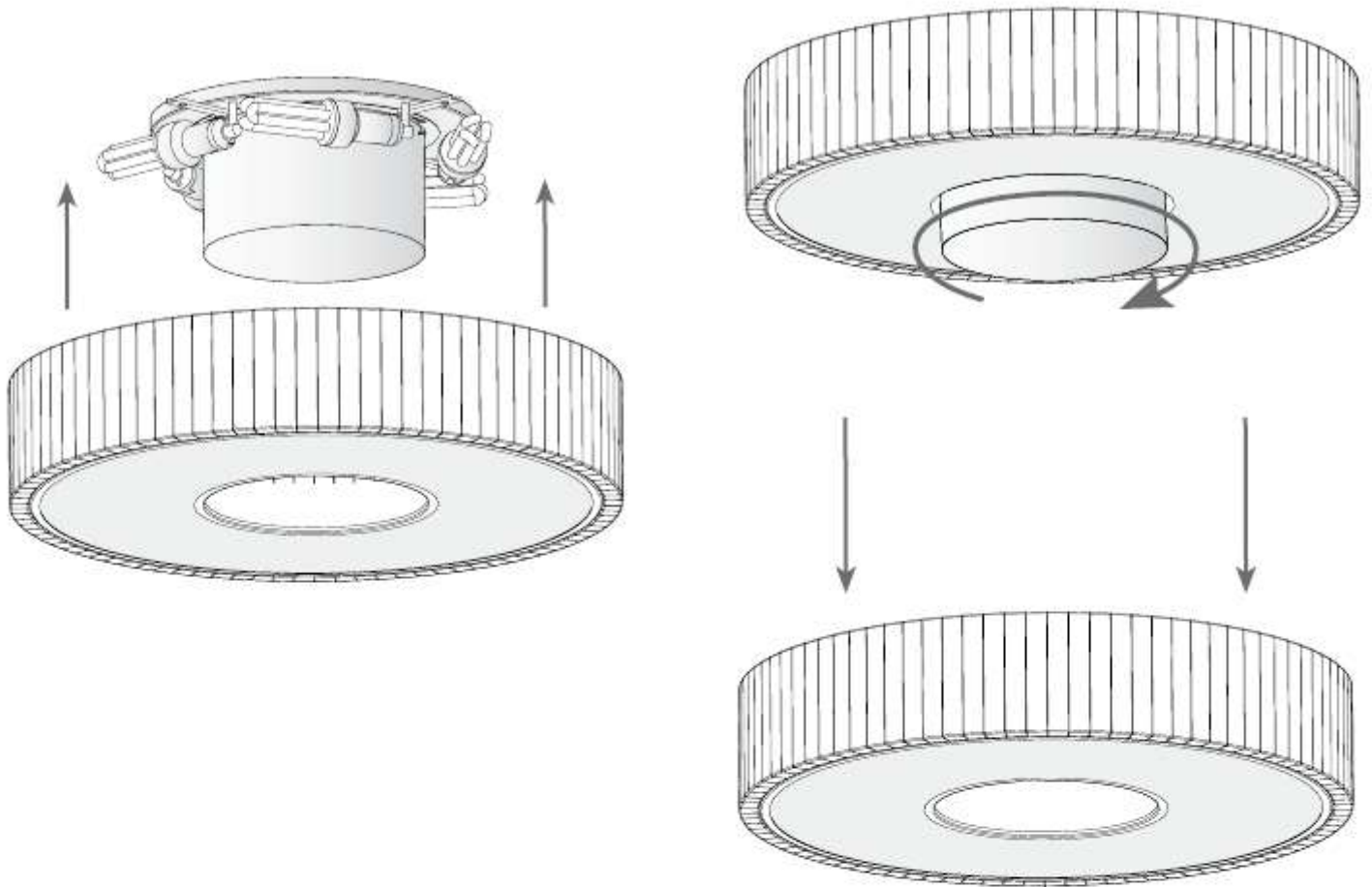
2B



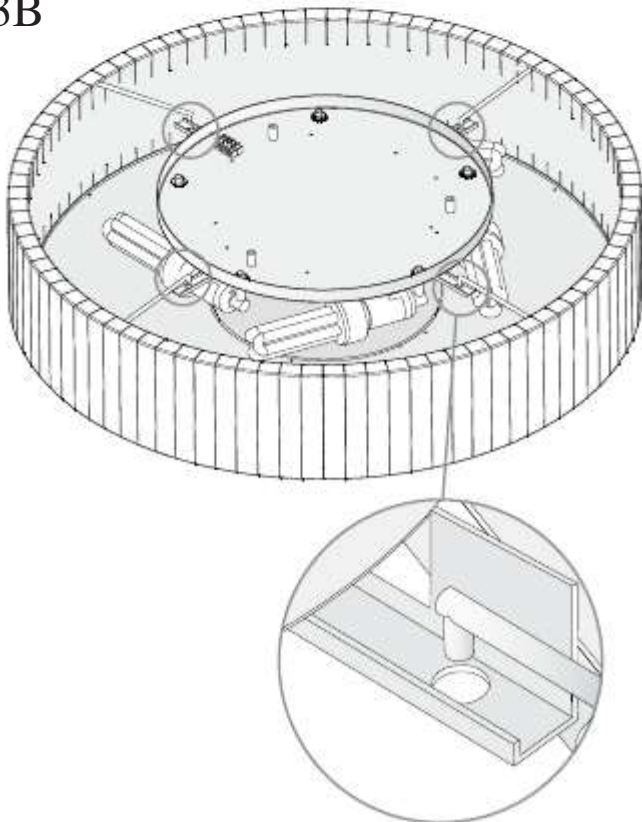
2C



3A



3B



3C

