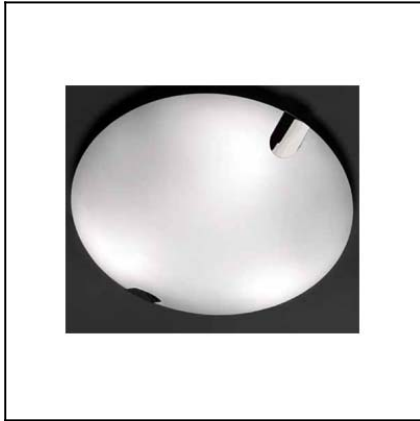
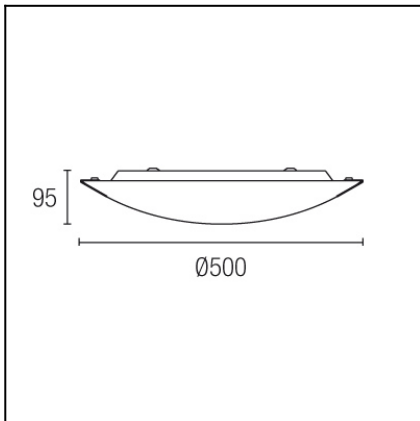


Design by Gemma Bernal


The photograph may not match the reference exactly. Please read the product description to identify the finish.


TECHNICAL CHARACTERISTICS

Type:	Ceiling fixture
IP Protection degrees:	IP23
Lampholder:	2 x E27 2 x E27
Power (W):	E27 23W E27 40w
Total power consumption (W):	80
Voltage / Frequency:	220-240V/50-60Hz
Units per box:	3
Net Weight (Kg):	3.02
EAN:	8435111085493

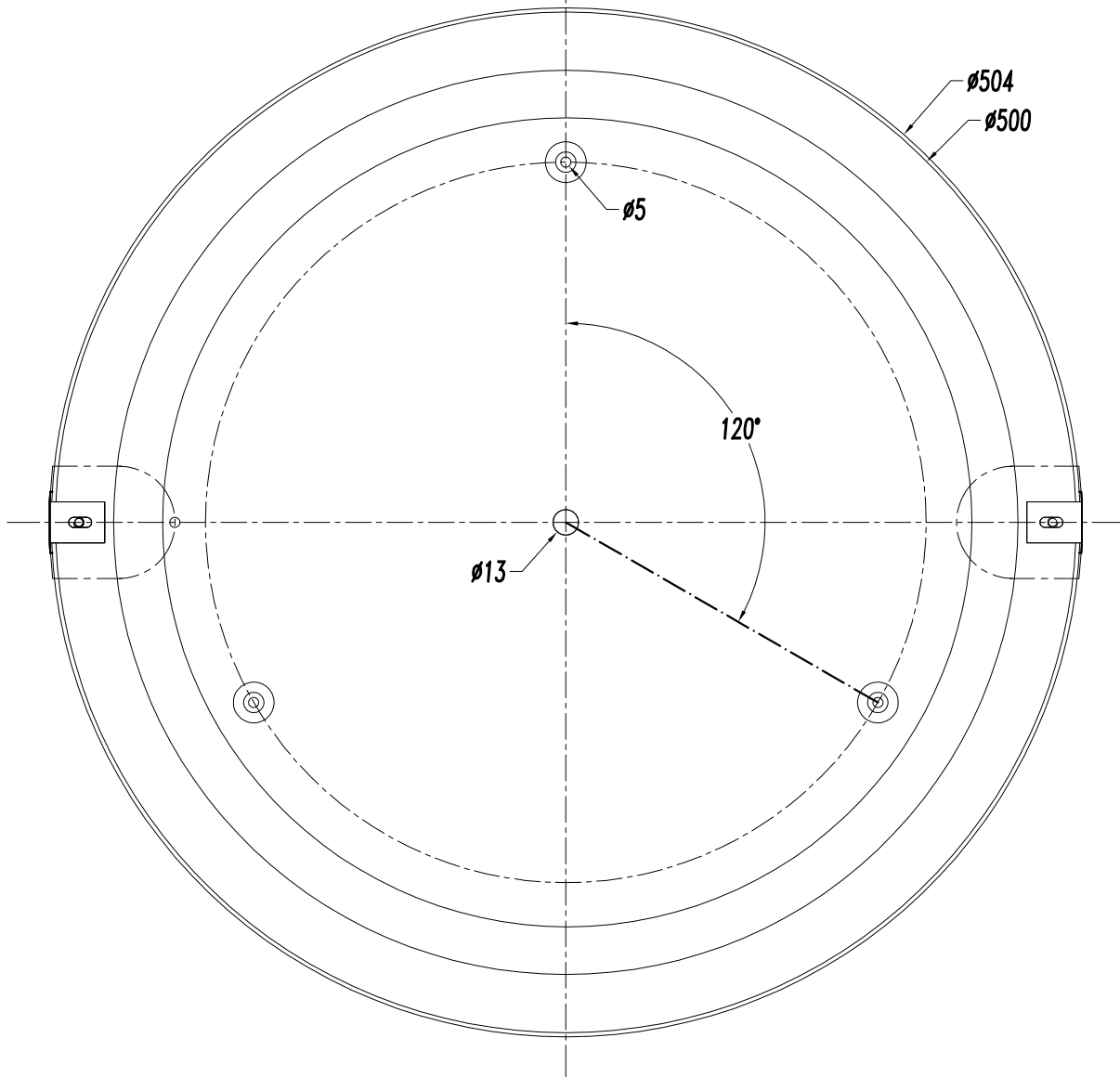
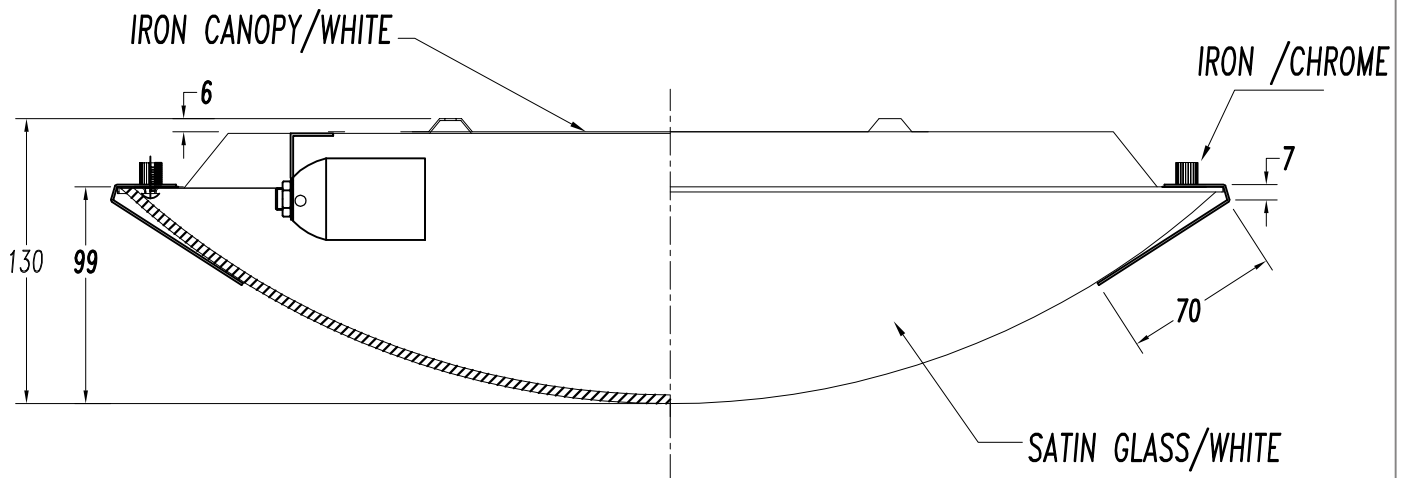

MATERIALS / FINISHES
Structure material: Steel

Diffuser material: Glass

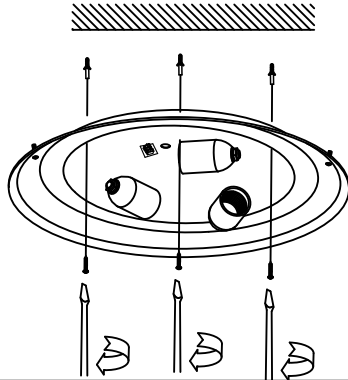
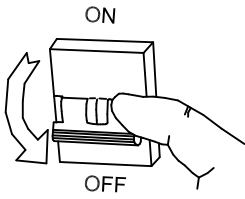
Structure finish: Chrome

Diffuser finish: Satin

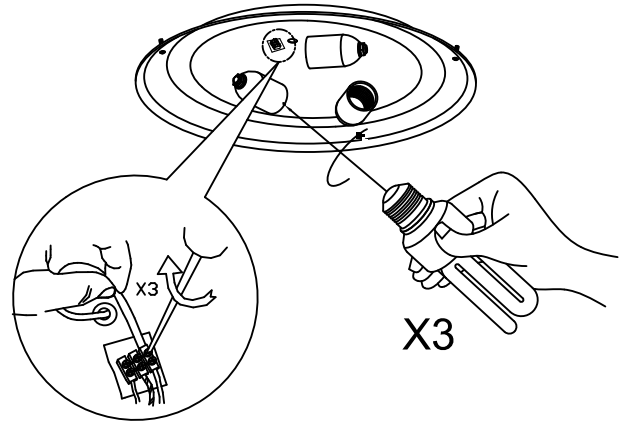
[Download photometric file .ldt / .ies](#)



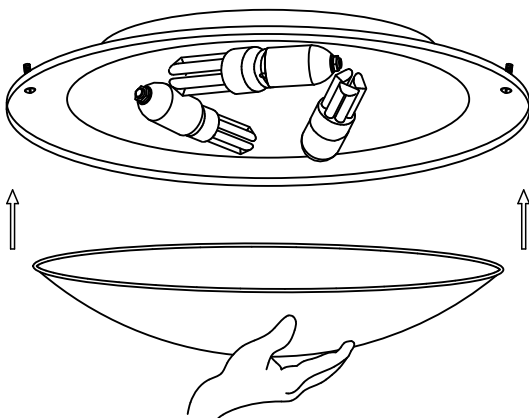
1



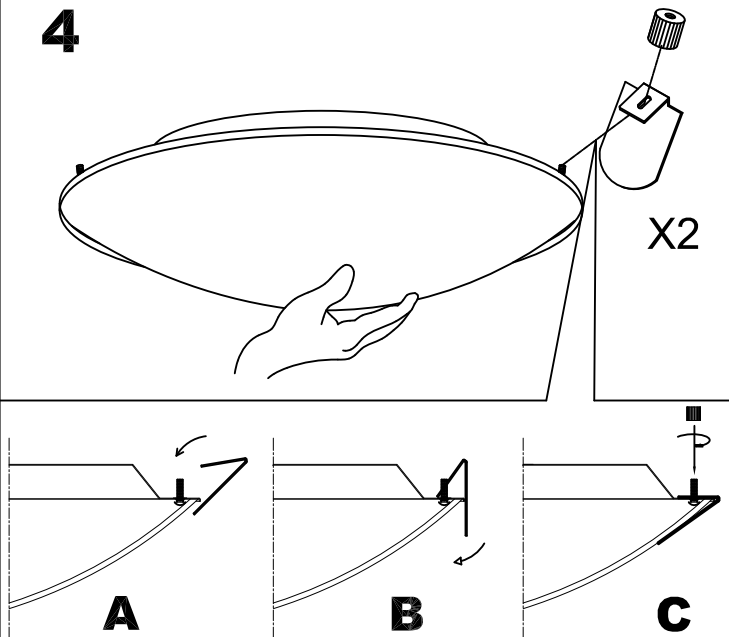
2



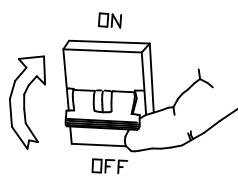
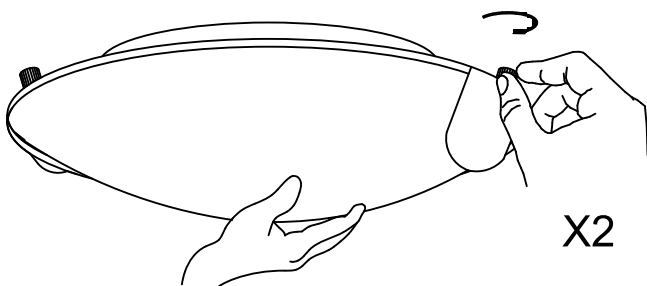
3



4



5



6

