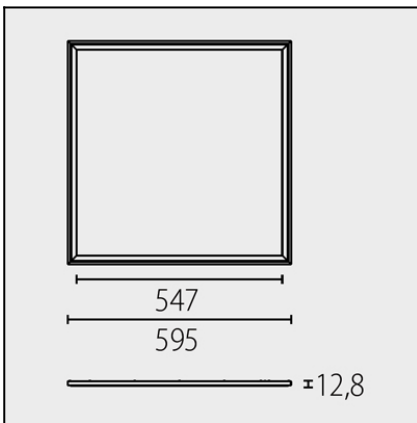




The photograph may not match the reference exactly. Please read the product description to identify the finish.


DESCRIPTION

Square LED panel for all types of ceilings and installations (recessed, directly replacing Armstrong ceiling units or recessed, suspended or surface mounted using installation kits). Made of extruded grey anodized aluminium with a polycarbonate diffuser. Available in different sizes (600x600 and 300x300) and two colour temperature (warm white and cool white). Includes an internal light distribution system guaranteeing a uniform light and has a beam angle of 114°.

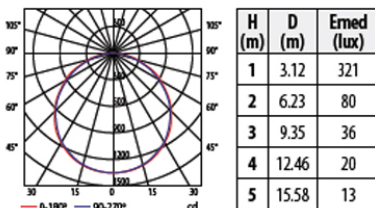
TECHNICAL CHARACTERISTICS

Type:	Ceiling fixture
IP Protection degrees:	IP40
Bulb:	600 x LED. Neutral white - 4000K
Power (W):	40
CRI:	70
Angle Óptiques:	120°
Voltage / Frequency:	1050mA
Warranty (Years):	3
Option to extend the guarantee:	Yes, 5 years
Units per box:	3
Net Weight (Kg):	4.555
EAN:	8435111087510,00


MATERIALS / FINISHES

Structure material: Aluminium
Structure finish: Anodized

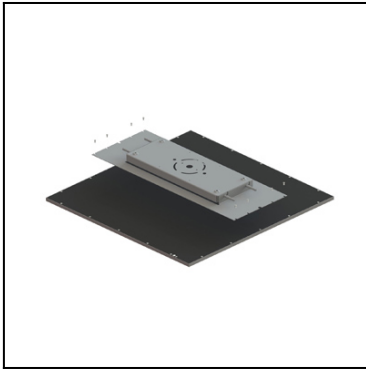
Diffuser material: Methacrylate
Diffuser finish: White


GEAR

Necessary equipment not included. For more information check website / catalogs / sales organization.

Download photometric file .ldt / .ies

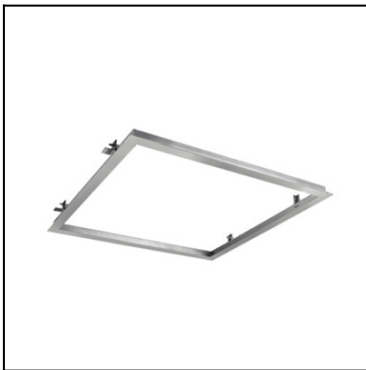
71-4722-N3-00

Surface kit

Structure material: Steel
Structure finish: Grey

IP20

71-0558-54-00

Recessed kit

Structure material: Anodized aluminium



71-4723-N3-00

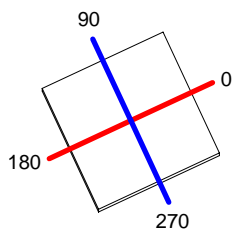
Suspension kit

Structure material: Steel
Structure finish: Grey

Luminaria		Ensayo		Lámpara		
Código	15-4722	Código	15-4722	Código	15-4722	
Nombre	Plafon leds FIT 60x60 45W	Nombre	Plafon leds FIT 60x60 45W	Número	1	
Familia	- LEDS C4 LEDS	Fecha	07-07-2011	Posición	Universal	
Rendimiento	100.00%	Sist. de Coorden.	C-G	Flujo Total	3873.76 lm	
Valor Máximo	1351.89 cd	Posición	C=0.00 G=0.00	Bisimétrico		
Luminaria Rectangular	Longit.	598 mm	Anchura	598 mm	Altura	12 mm
Área Luminosa Rectangular	Longit.	555 mm	Anchura	555 mm	Altura	0 mm
Área Luminosa Horizontal		0.308025 m2	Área Emisión sobre Pl. 180°			0.000000 m2
Área Emisión sobre Pl. 0°		0.000000 m2	Área Emisión sobre Pl. 270°			0.000000 m2
Área Emisión sobre Pl. 90°		0.000000 m2	Área de deslumbramiento a 76°			0.074518 m2
Tipo de Simetría	Bisimétrico	Máximo Ángulo Gamma	90			
Distancia de Ensayo	6.44	Flujo de Ensayo	3873.76 lm			
Operador	Asselum T2	Tensión de alimentación	230.00 V			
Temperatura	25.00 °C	Corriente de alimentación				
Humedad	50.00 %	Fotocélula	PRC			
Notas						

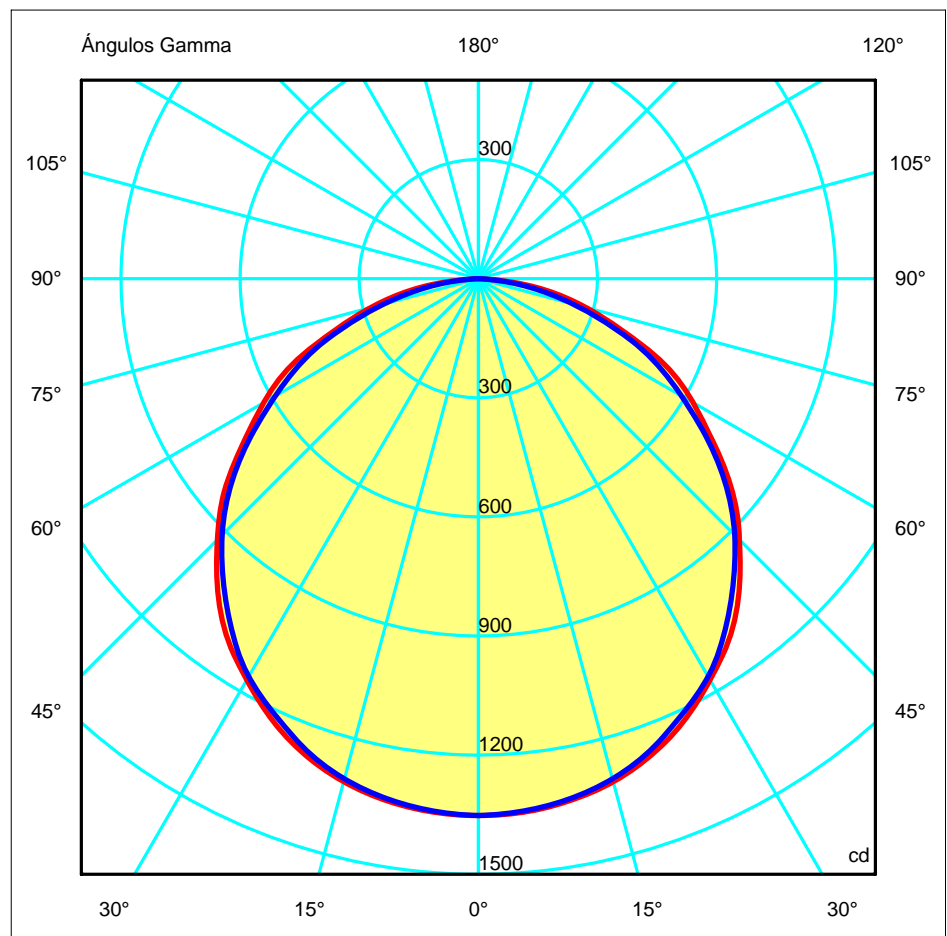
Lámparas de la Luminaria						
Familia	Código	Nombre	Flujo/lm	Pot.W	Cant.	
- LEDS C4 LEDS	15-4722	Lámpara leds	3873.76	45.00	1	
C.I.E.	47 79 96 100 100	D DIN 5040		A30		
F UTE	1.00 E	B NBN		BZ 5 / 0.8 / BZ 4		

598mm x 598mm



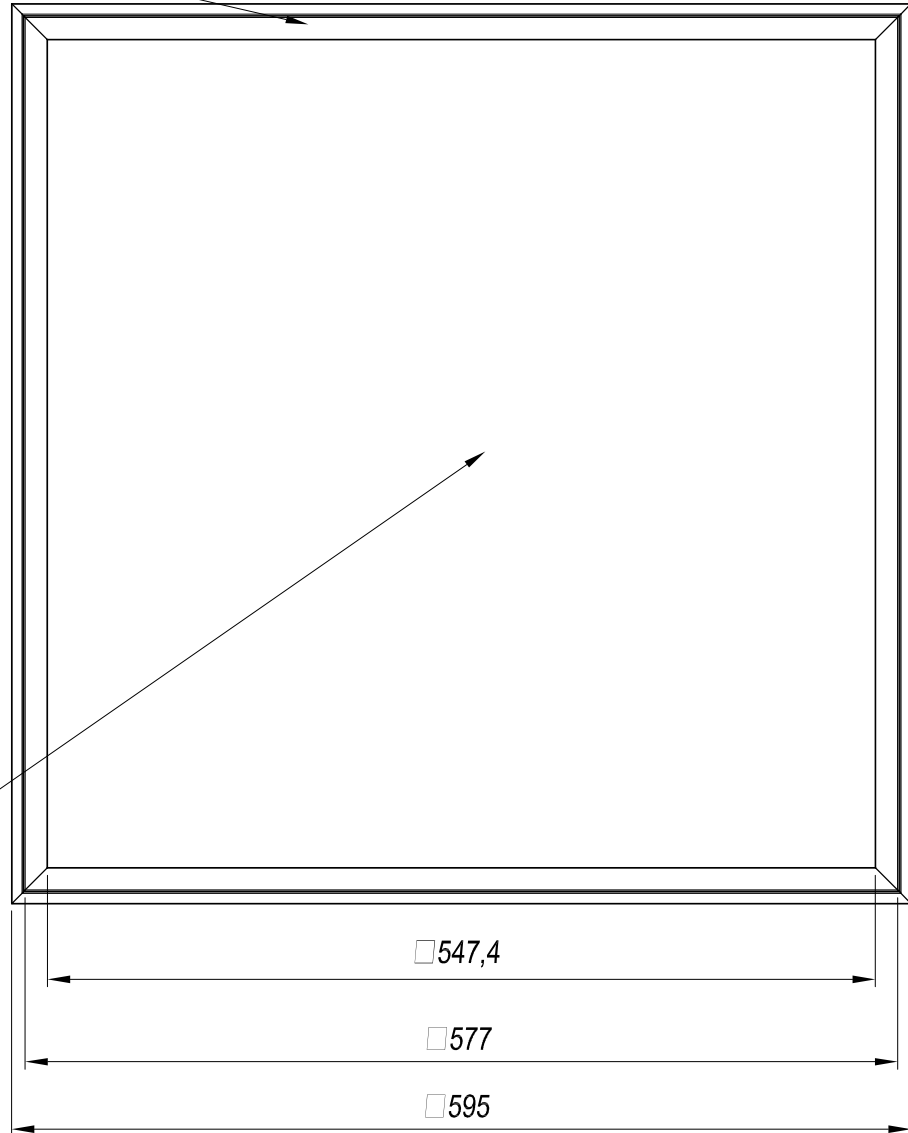
Semiplanos C
 180.0 — 0.0
 270.0 — 90.0

ULOR 0.00 %
 DLOR 100.00 %
 RN 0.00 %

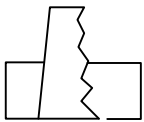
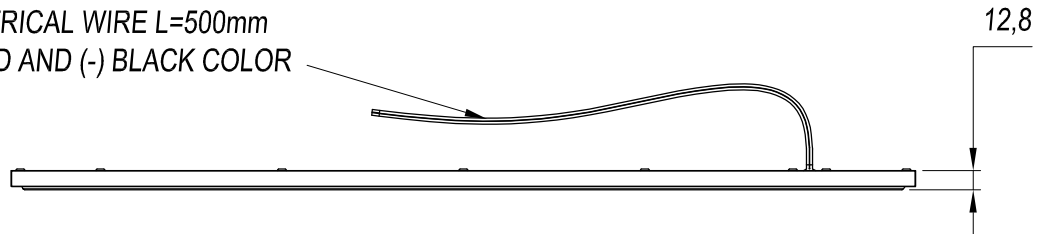


ALUMINUM ANODIZED
IN NATURAL COLOR

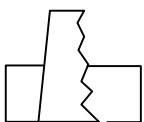
PMMA IN
WHITE COLOR



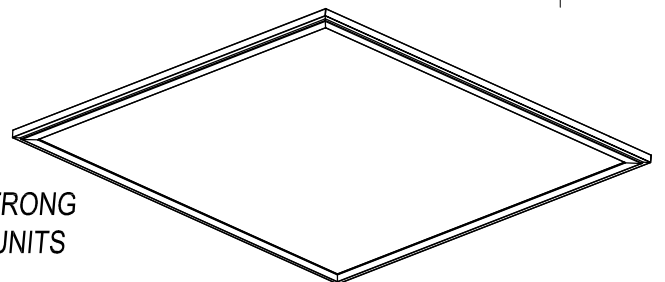
ELECTRICAL WIRE L=500mm
(+) RED AND (-) BLACK COLOR



* OPCIÓN 1 / OPTION 1:
SUBSTITUCIÓN DIRECTA PLACAS TIPO ARMSTRONG
DIRECTLY REPLACING ARMSTRONG CEILING UNITS

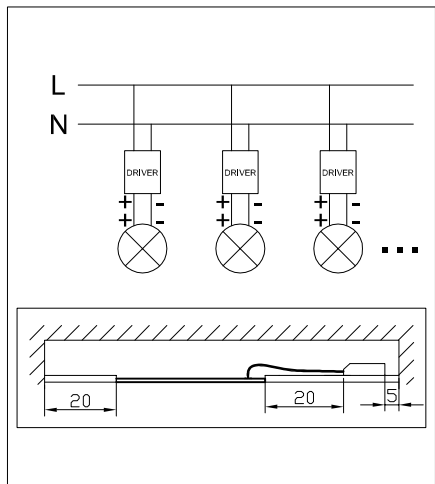


* OPCIÓN 2 / OPTION 2:
71-0558-54-00 - KIT EMPOTRAR /RECESSED KIT
630x630



Scale 1:5

05-08-13

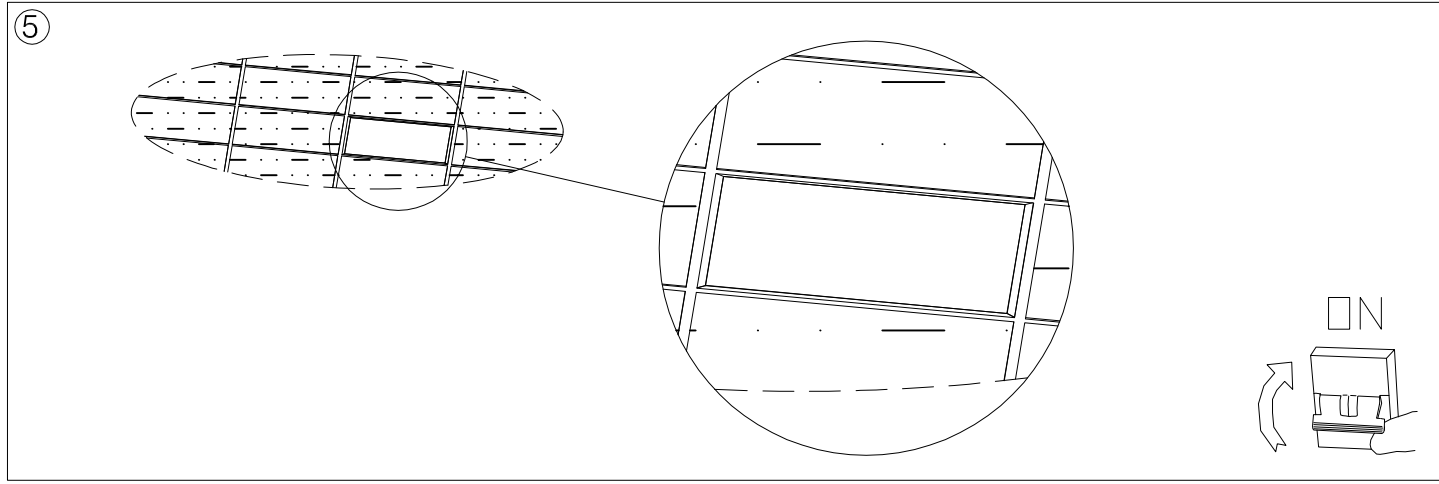
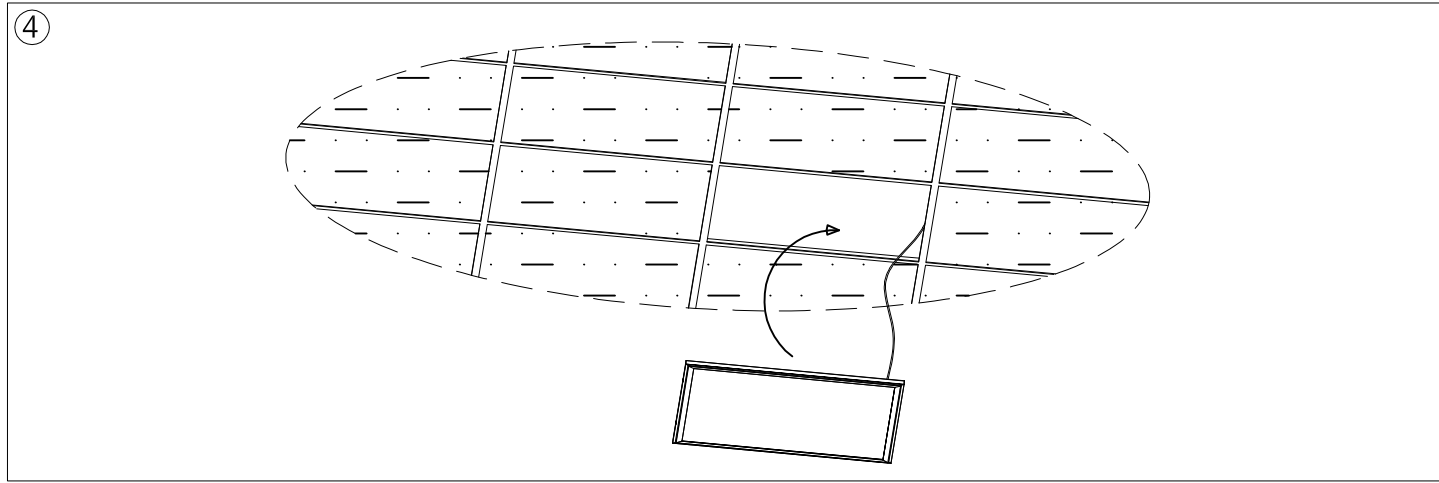
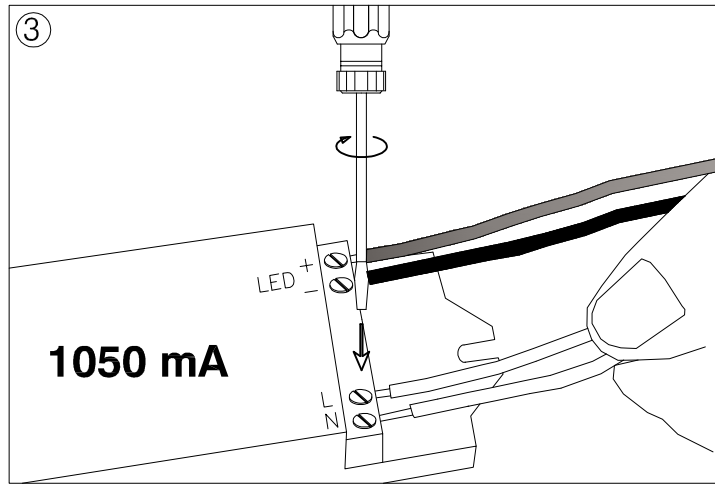
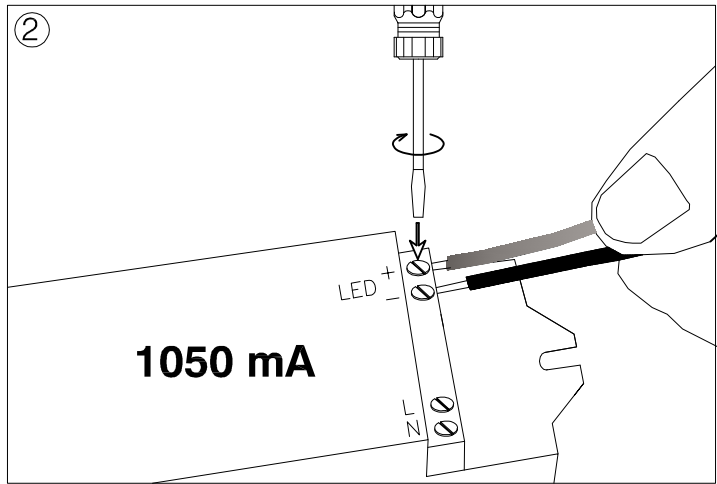


①

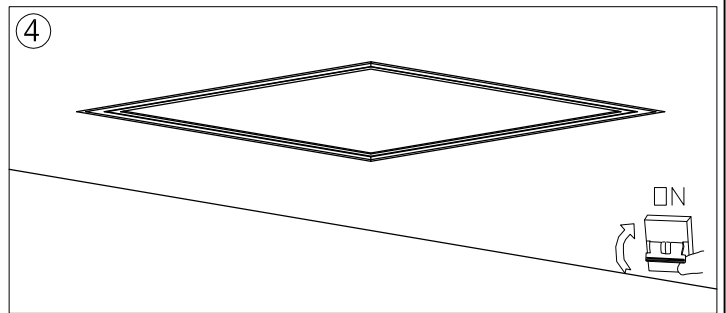
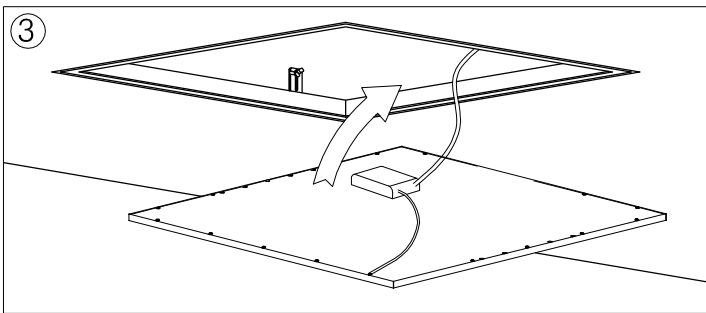
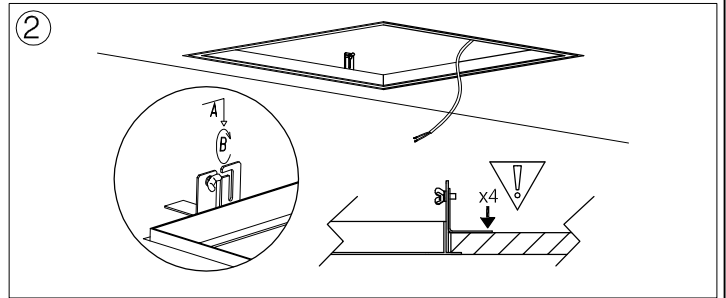
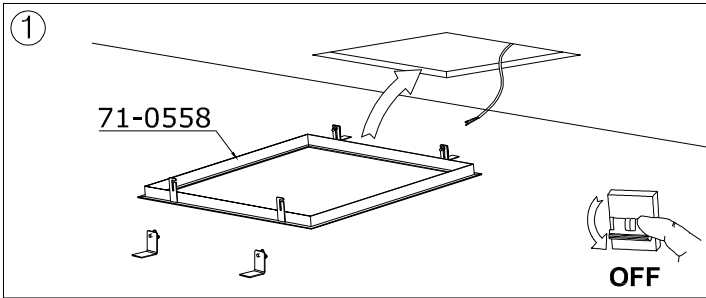
– INSTALLATION HOLE:

1. Not required in Armstrong ceiling units.
2. With recessed kit ceiling light (71-0558-54-00):
 630x630mm
3. Without recessed kit (Not recommended):
 577x577mm

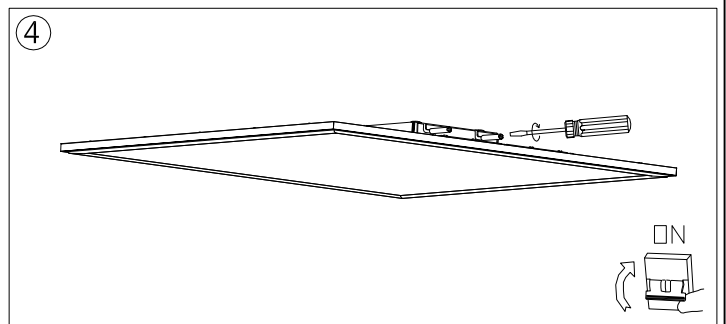
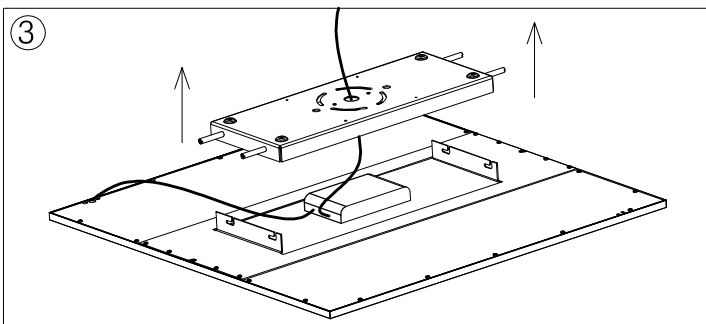
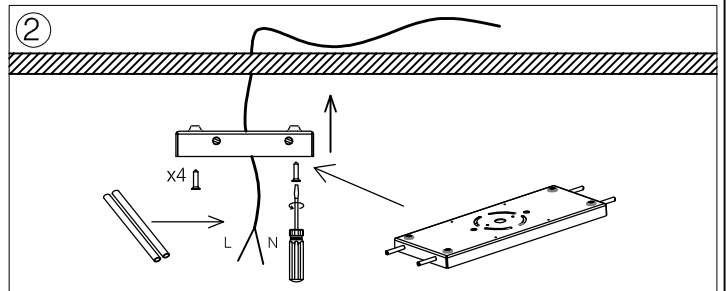
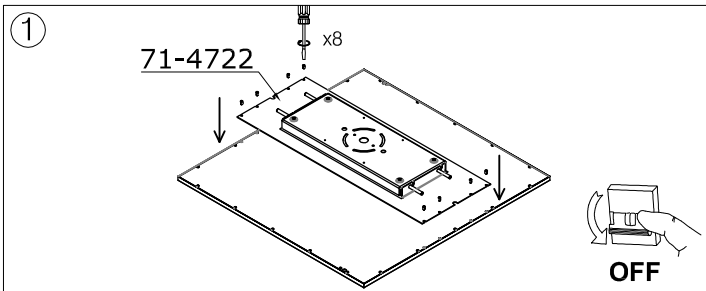
OFF



RECESSED KIT



SURFACE KIT



SUSPENDED KIT

