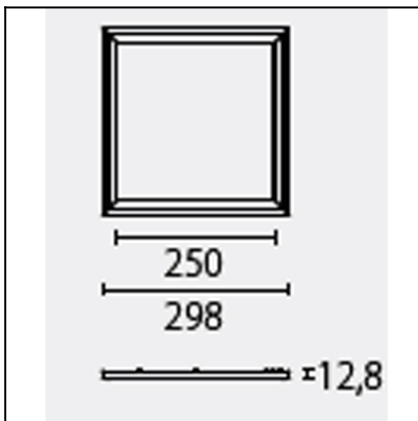




The photograph may not match the reference exactly. Please read the product description to identify the finish.


**DESCRIPTION**

Square LED panel for all types of ceilings and installations (recessed, directly replacing Armstrong ceiling units or recessed, suspended or surface mounted using installation kits). Made of extruded grey anodized aluminium with a polycarbonate diffuser. Available in different sizes (600x600 and 300x300) and two colour temperature (warm white and cool white). Includes an internal light distribution system guaranteeing a uniform light and has a beam angle of 114°.

**TECHNICAL CHARACTERISTICS**

Type:	Ceiling fixture
IP Protection degrees:	IP40
Bulb:	300 x LED. Warm White - 3000K
Power (W):	18,5
CRI:	75
Angle Optiques:	114°
Voltage / Frequency:	500mA
Warranty (Years):	3
Option to extend the guarantee:	Yes, 5 years
Units per box:	6
Net Weight (Kg):	1.275
EAN:	8435111087527,00

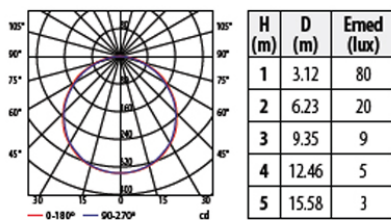

**MATERIALS / FINISHES**

**Structure material:** Aluminium

**Diffuser material:** Methacrylate

**Structure finish:** Anodized

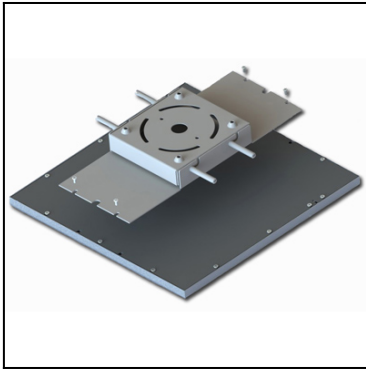
**Diffuser finish:** White


**GEAR**

Necessary equipment not included. For more information check website / catalogs / sales organization.

Download photometric file .ldt / .ies

71-4724-N3-00

Surface kit

---

**Structure material:** Steel  
**Structure finish:** Grey

IP20

71-0537-54-00

Recessed kit

---

**Structure material:** Anodized aluminium

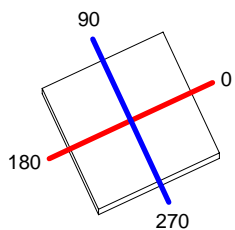


330 x 330

<b>Luminaria</b>		<b>Ensayo</b>		<b>Lámpara</b>		
Código	15-4723	Código	15-4723	Código	15-4723	
Nombre	Plafon leds FIT 30x30 20W	Nombre	Plafon leds FIT 30x30 20W	Número	1	
Familia	- LEDS C4 LEDS	Fecha	07-07-2011	Posición	Universal	
Rendimiento	100.00%	Sist. de Coorden.	C-G	Flujo Total	968.44 lm	
Valor Máximo	337.97 cd	Posición	C=0.00 G=0.00	Bisimétrico		
Luminaria Rectangular	Longit.	298 mm	Anchura	298 mm	Altura	12 mm
Área Luminosa Rectangular	Longit.	255 mm	Anchura	255 mm	Altura	0 mm
Área Luminosa Horizontal	0.065025 m2	Área Emisión sobre Pl. 180°		0.000000 m2		
Área Emisión sobre Pl. 0°	0.000000 m2	Área Emisión sobre Pl. 270°		0.000000 m2		
Área Emisión sobre Pl. 90°	0.000000 m2	Área de deslumbramiento a 76°		0.015731 m2		
Tipo de Simetría	Bisimétrico	Máximo Ángulo Gamma		90		
Distancia de Ensayo	6.44	Flujo de Ensayo		968.44 lm		
Operador	Asselum T2	Tensión de alimentación		230.00 V		
Temperatura	25.00 °C	Corriente de alimentación		PRC		
Humedad	50.00 %	Fotocélula				
Notas						

Lámparas de la Luminaria					
Familia	Código	Nombre	Flujo/lm	Pot.W	Cant.
- LEDS C4 LEDS	15-4723	Lámpara leds	968.44	20.00	1
C.I.E.	47 79 96 100 100	D DIN 5040	A30		
F UTE	1.00 E	B NBN	BZ 5 / 0.8 / BZ 4		

298mm x 298mm



Semiplanos C

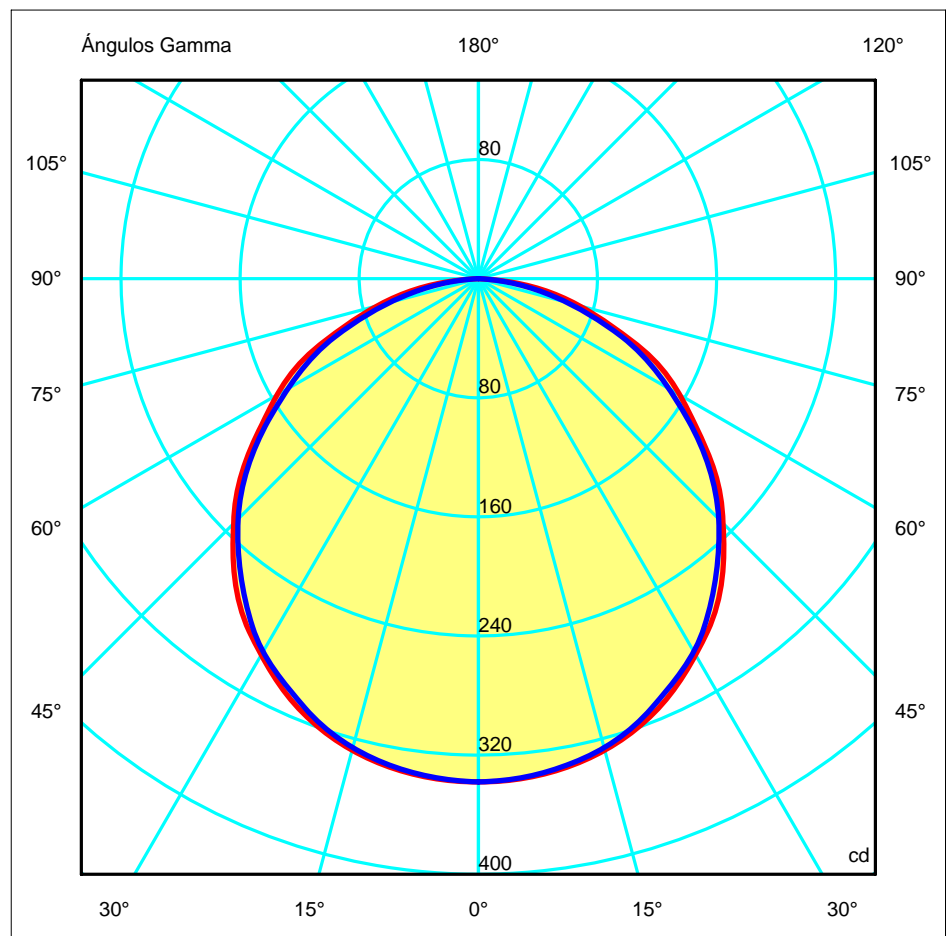
180.0 — 0.0

270.0 — 90.0

ULOR 0.00 %

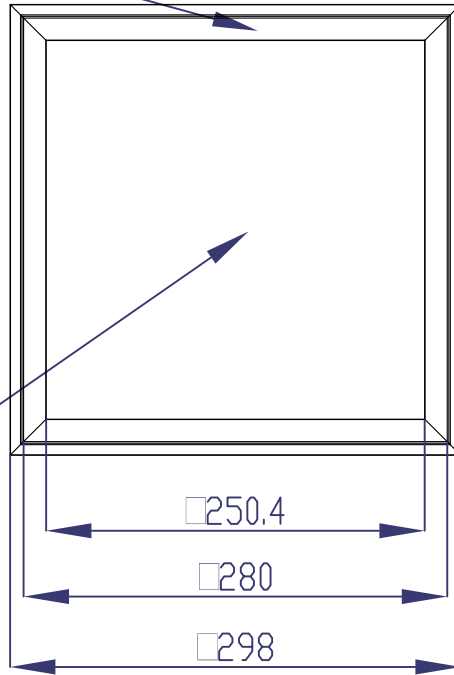
DLOR 100.00 %

RN 0.00 %

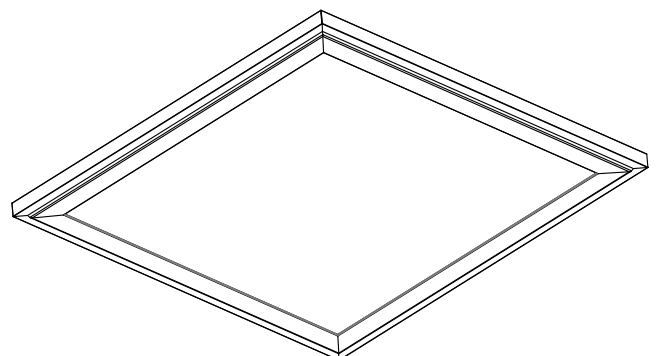
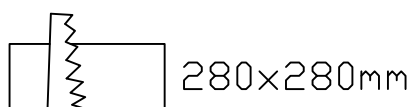
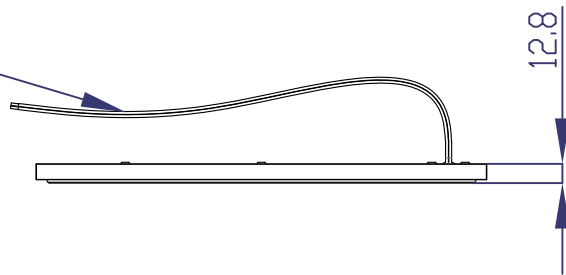


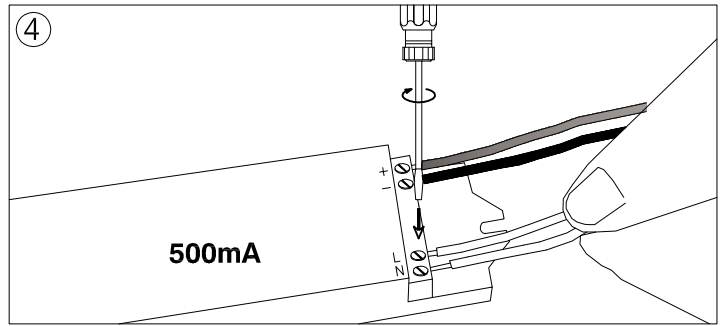
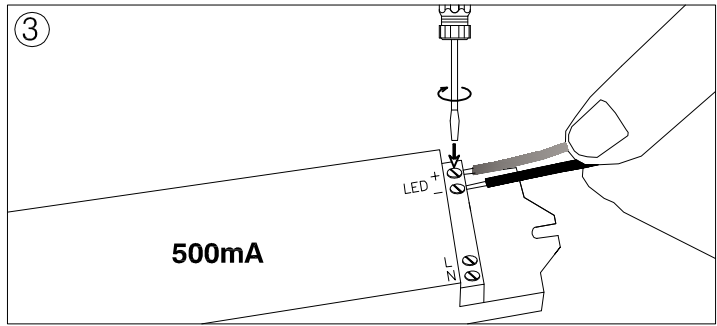
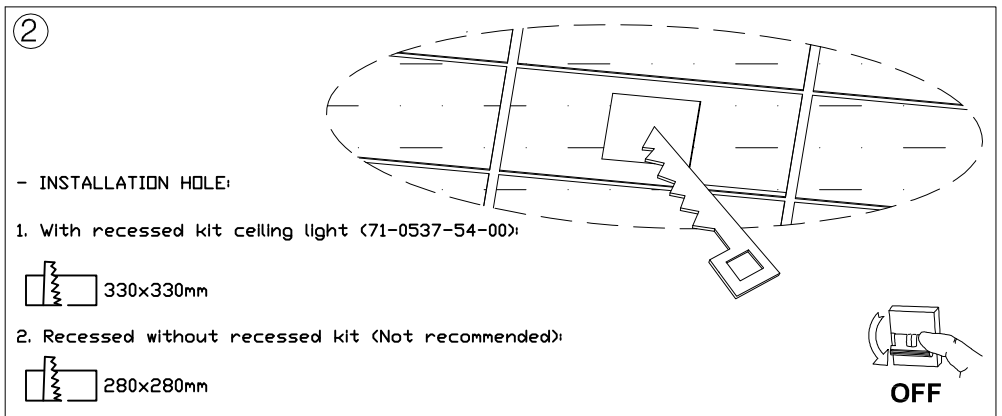
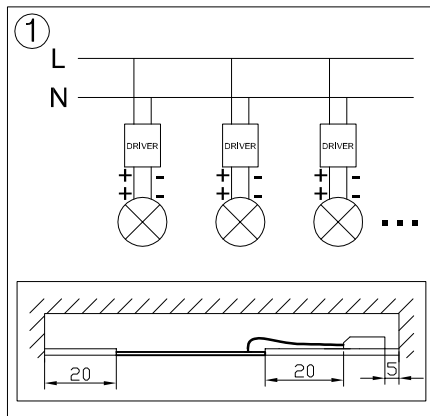
ALUMINUM  
ANODIZED IN NATURAL COLOR

PMMA  
IN WHITE COLOR

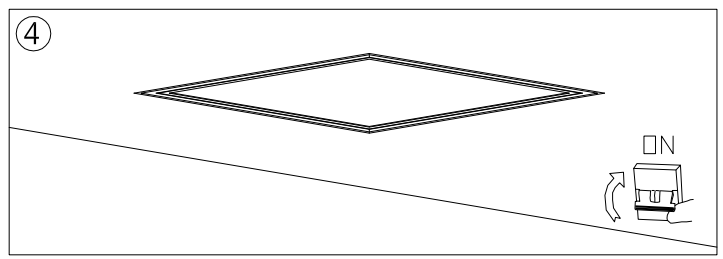
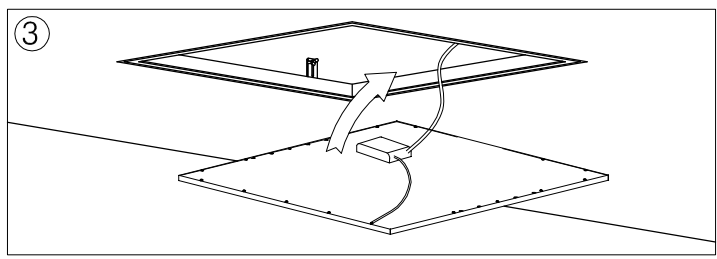
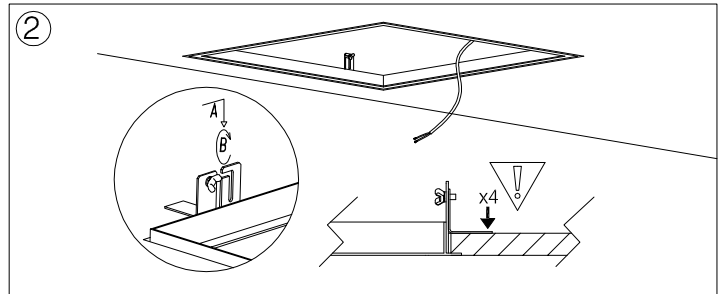
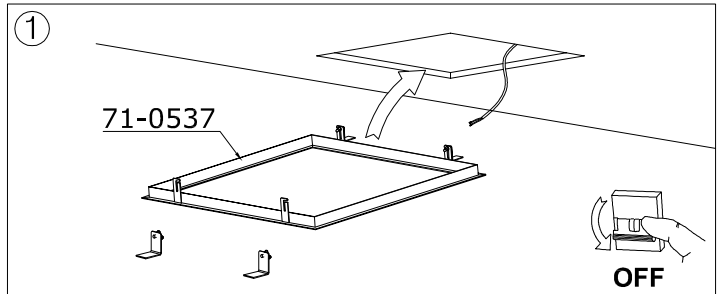


ELECTRICAL WIRE  
L=500mm  
(+) RED AND (-) BLACK COLOR





**RECESSED KIT**



**SURFACE KIT**

