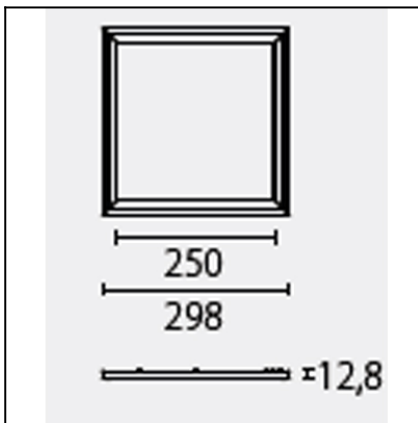




The photograph may not match the reference exactly. Please read the product description to identify the finish.


DESCRIPTION

Square LED panel for all types of ceilings and installations (recessed, directly replacing Armstrong ceiling units or recessed, suspended or surface mounted using installation kits). Made of extruded grey anodized aluminium with a polycarbonate diffuser. Available in different sizes (600x600 and 300x300) and two colour temperature (warm white and cool white). Includes an internal light distribution system guaranteeing a uniform light and has a beam angle of 114°.

TECHNICAL CHARACTERISTICS

Type:	Ceiling fixture
IP Protection degrees:	IP40
Bulb:	300 x LED. Neutral white - 4000K
Power (W):	18,5
CRI:	70
Angle Óptiques:	114°
Voltage / Frequency:	500mA
Warranty (Years):	3
Option to extend the guarantee:	Yes, 5 years
Units per box:	6
Net Weight (Kg):	1.31
EAN:	8435111087534,00


MATERIALS / FINISHES

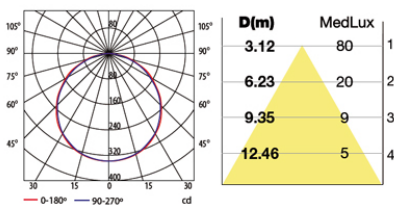
Structure material: Aluminium
Structure finish: Anodized

Diffuser material: Methacrylate
Diffuser finish: White

GEAR

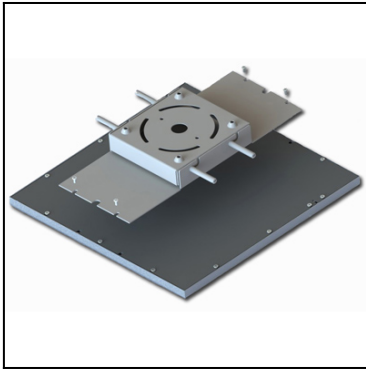
Necessary equipment not included. For more information check website / catalogs / sales organization.

15-4724-54-M1 LED
 Blanco neutro / Neutral white



Download photometric file .ldt / .ies

71-4724-N3-00

Surface kit

Structure material: Steel
Structure finish: Grey

IP20

71-0537-54-00

Recessed kit

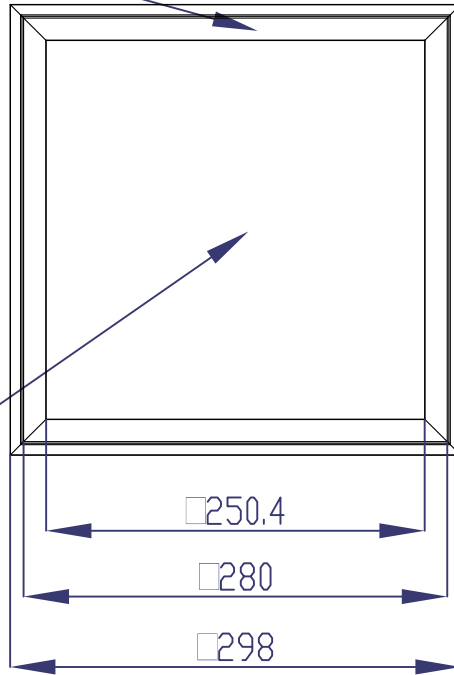
Structure material: Anodized aluminium



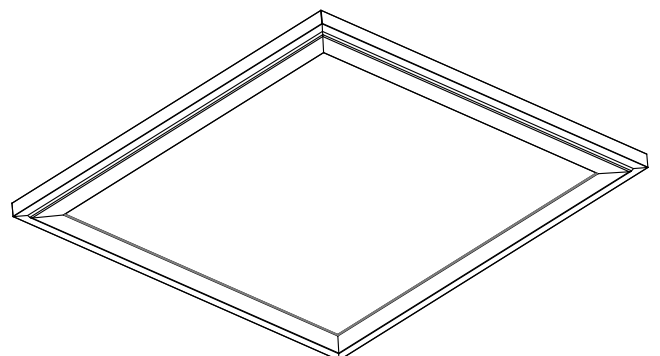
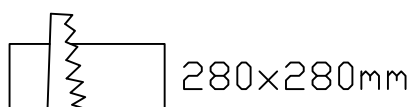
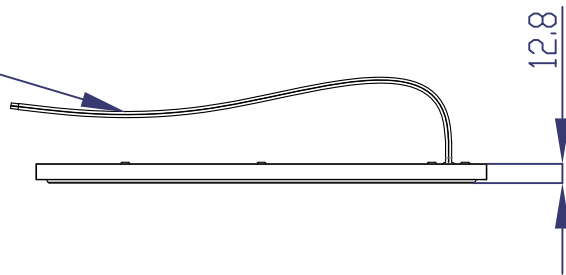
330 x 330

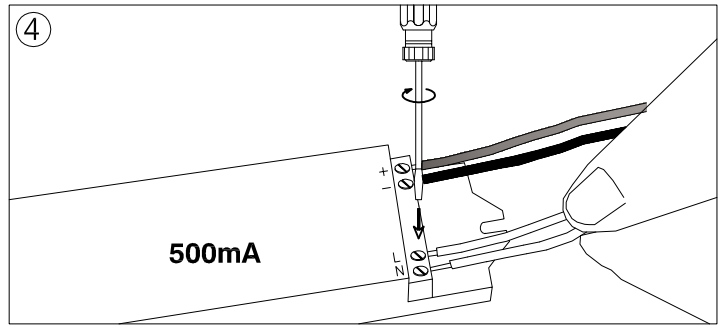
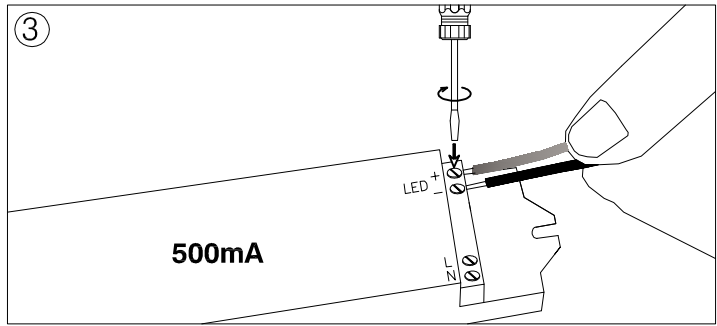
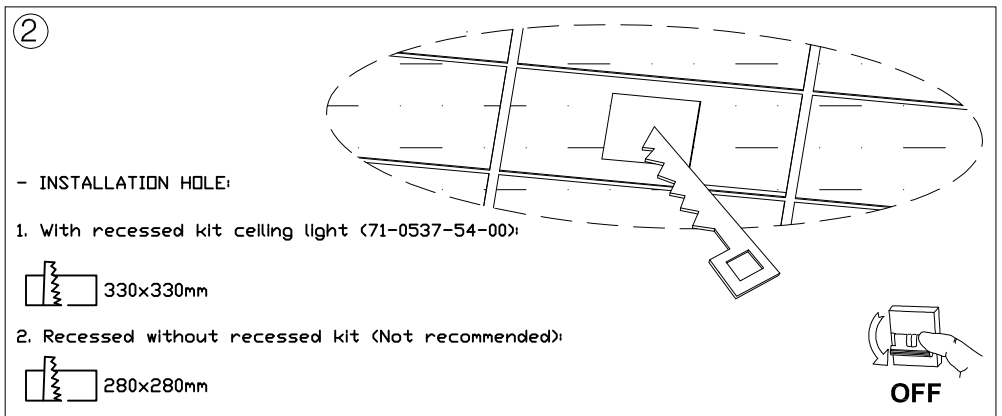
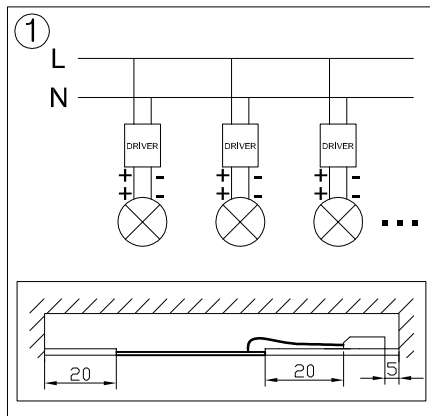
ALUMINUM
ANODIZED IN NATURAL COLOR

PMMA
IN WHITE COLOR

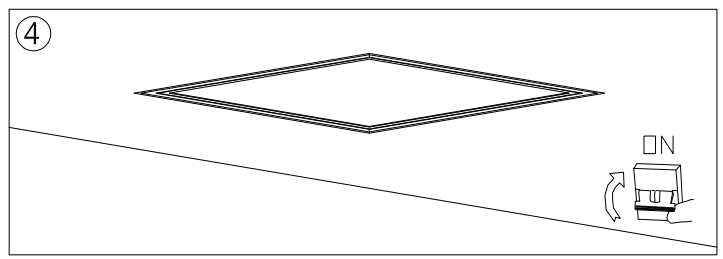
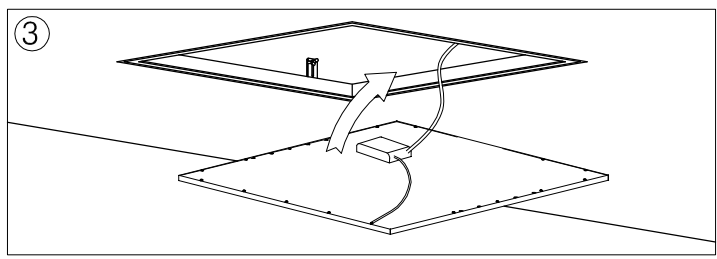
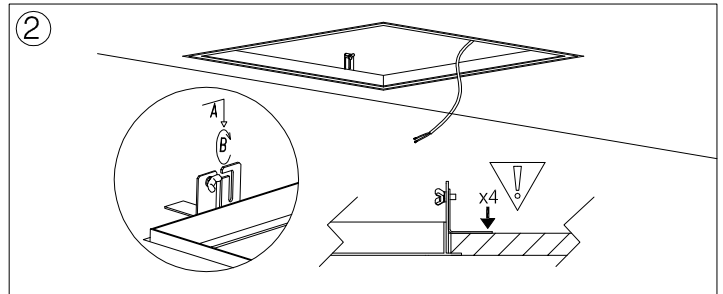
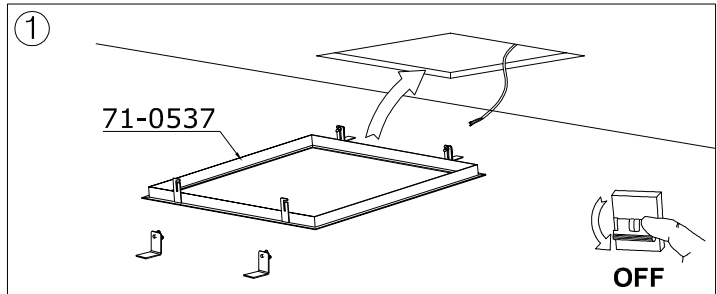


ELECTRICAL WIRE
L=500mm
(+) RED AND (-) BLACK COLOR





RECESSED KIT



SURFACE KIT

