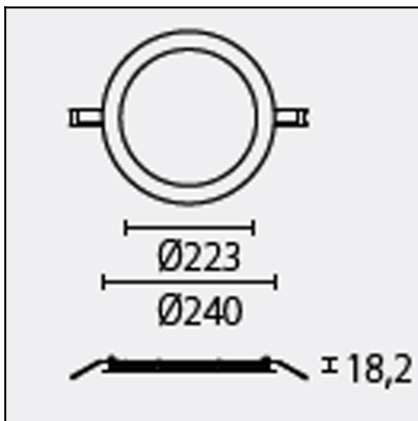


The photograph may not match the reference exactly. Please read the product description to identify the finish.


DESCRIPTION

Round LED panel for flush mounting. Made of grey painted injected aluminium with a polycarbonate diffuser. Available in two colour temperature (warm white and cool white). Includes an internal light distribution system guaranteeing a uniform light spread. Spring mounting system.

TECHNICAL CHARACTERISTICS

Type:	Ceiling fixture
IP Protection degrees:	IP40
Bulb:	190 x LED. Warm White - 3000K
Power (W):	14
CRI:	75
Angle Óptiques:	114°
Voltage / Frequency:	1050mA
Warranty (Years):	3
Option to extend the guarantee:	Yes, 5 years
Units per box:	28
Net Weight (Kg):	0.625
EAN:	8435111088784,00

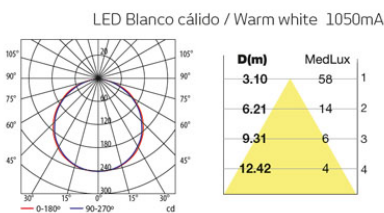

MATERIALS / FINISHES

Structure material: Aluminium

Diffuser material: Methacrylate

Structure finish: Grey

Diffuser finish: White


GEAR

Necessary equipment not included. For more information check website / catalogs / sales organization.

Download photometric file .ldt / .ies

ALUMINUM
ANODIZED IN NATURAL COLOR

$\phi 190,4$

PMMA
IN WHITE COLOR

ELECTRICAL WIRE
L=500mm
(+) RED AND (-) BLACK COLOR

18.2

11

$\phi 223$

$\phi 240,4$

$\phi 225$

