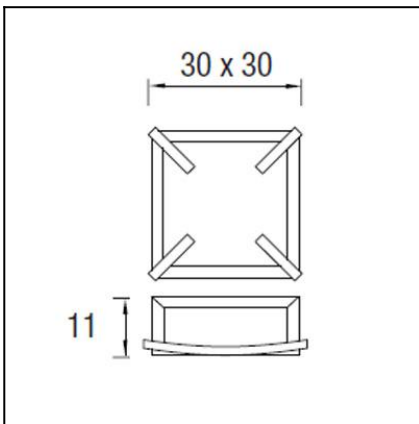


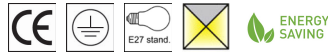


The photograph may not match the reference exactly. Please read the product description to identify the finish.



TECHNICAL CHARACTERISTICS

Type:	Ceiling fixture
IP Protection degrees:	IP44
Lampholder:	2 x E27
Power (W):	E27 max. 60W
Total power consumption (W):	120
Voltage / Frequency:	220-240V/50-60Hz
Units per box:	6
Net Weight (Kg):	1.915
EAN:	8435111055892

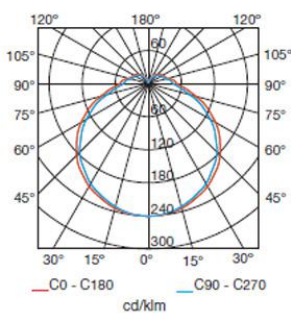


MATERIALS / FINISHES

Structure material: High purity aluminium
Structure finish: Urban grey

Diffuser material: Polycarbonate
Diffuser finish: Matt

PL 23W



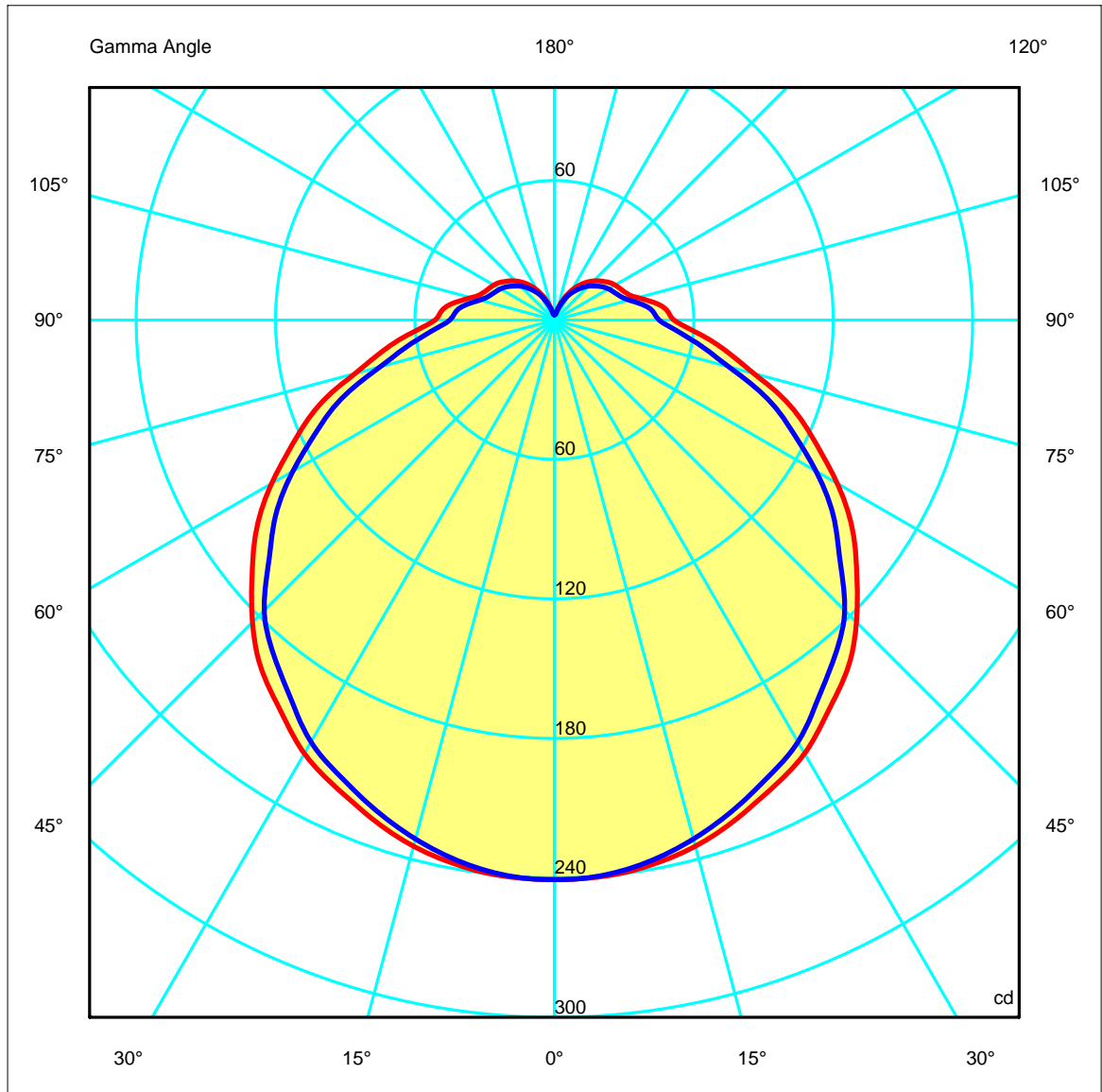
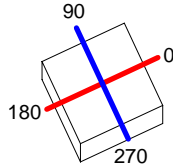
Download photometric file .ldt / .ies

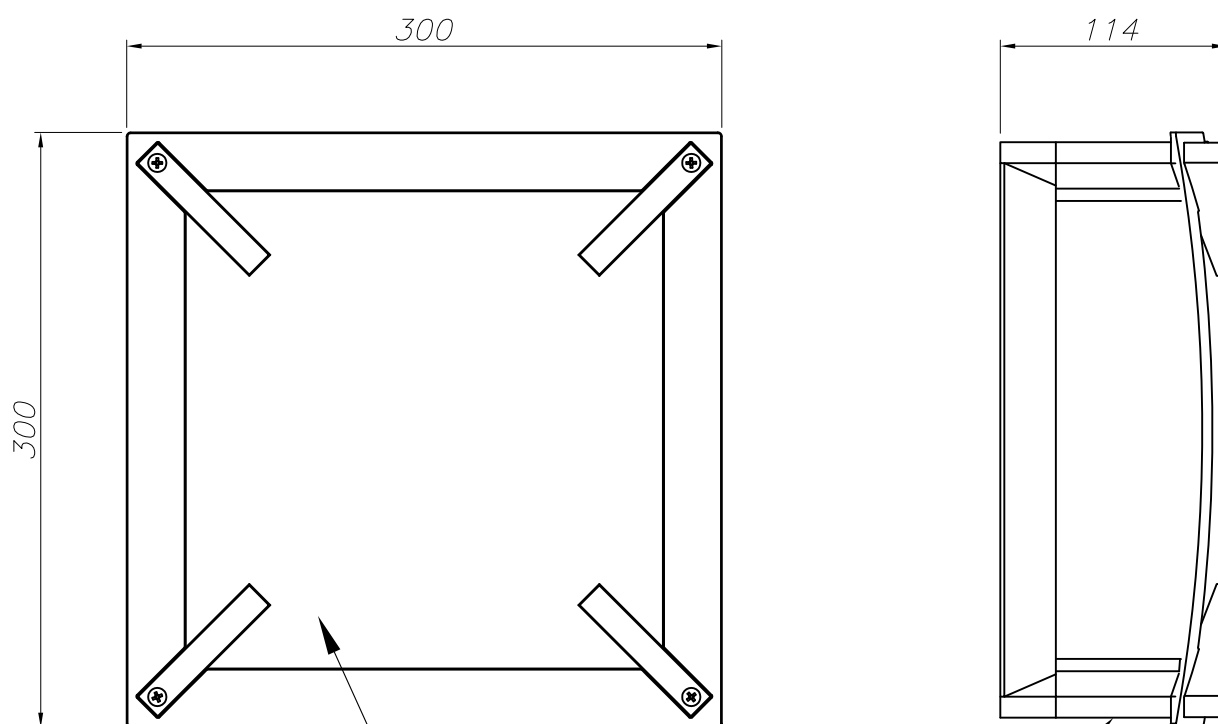
Luminaire		Measurement		Lamp	
Code	15-9298	Code	15-9298	Code	PLEC23
Name	Plafon Mark 2x23	Name	Plafon MARK 2x23E E27	Number	2
Line	- LEDS-C4	Date	28-12-2010	Position	Universal
Efficiency	34.40%	Coordinate system	C-G	Total Flux	3000.00 lm
Maximum value	240.74 cd	Position	C=0.00 G=0.00	Double Symmetrical	

300mm x 300mm

C Halfplanes

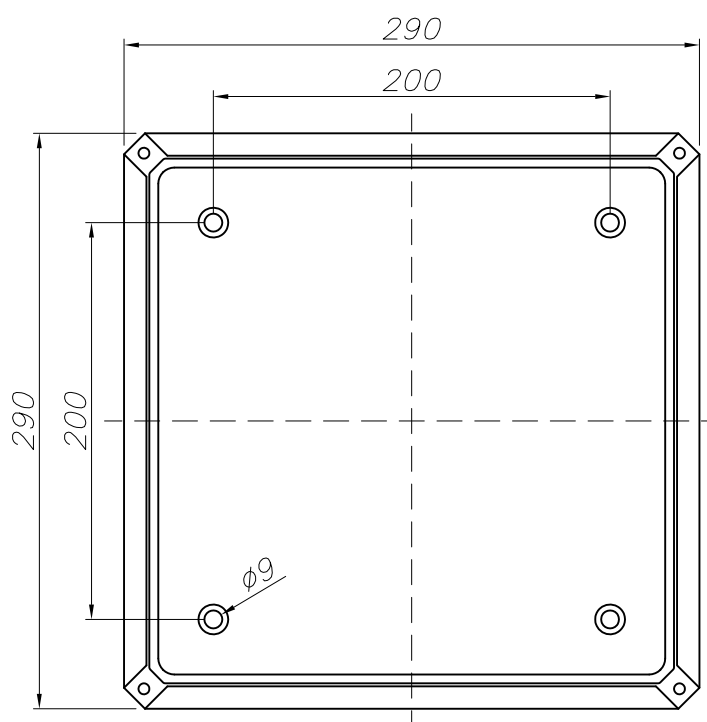
180.0 ——— 0.0
 270.0 ——— 90.0





PC SEMITRASPARENTE MATE
SEMITRASPARENT MATT PC

ALUMINIO INYECTADO
INJECTED ALUMINIUM



PLANTILLA DE INSTALACI6N
INSTALLATION TEMPLATE

