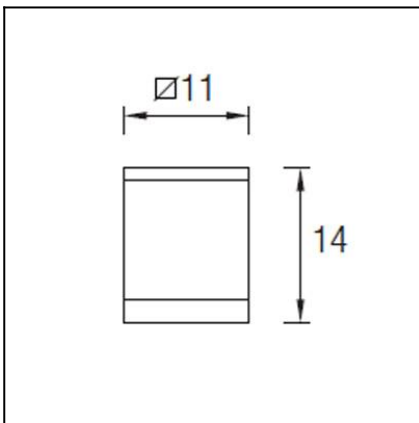




The photograph may not match the reference exactly. Please read the product description to identify the finish.



DESCRIPTION

Straight edged light unit. Injected aluminium body with clear glass diffuser. Offered in two sizes, and finished in light grey or dark grey. Compatible with LED, compact fluorescent and halogen lamps.

TECHNICAL CHARACTERISTICS

Type:	Ceiling fixture
IP Protection degrees:	IP54
IK Protection degrees:	IK05
Lampholder:	1 x E27/PAR-30
Power (W):	E27/PAR-30 MAX 75W
Total power consumption (W):	75
Voltage / Frequency:	230V/50-60Hz
Warranty (Years):	2
Units per box:	8
Net Weight (Kg):	0.835
EAN:	8435111058923,00



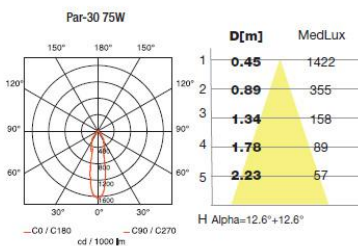
MATERIALS / FINISHES

Structure material: Injected aluminium

Diffuser material: Glass

Structure finish: Urban grey

Diffuser finish: Transparent



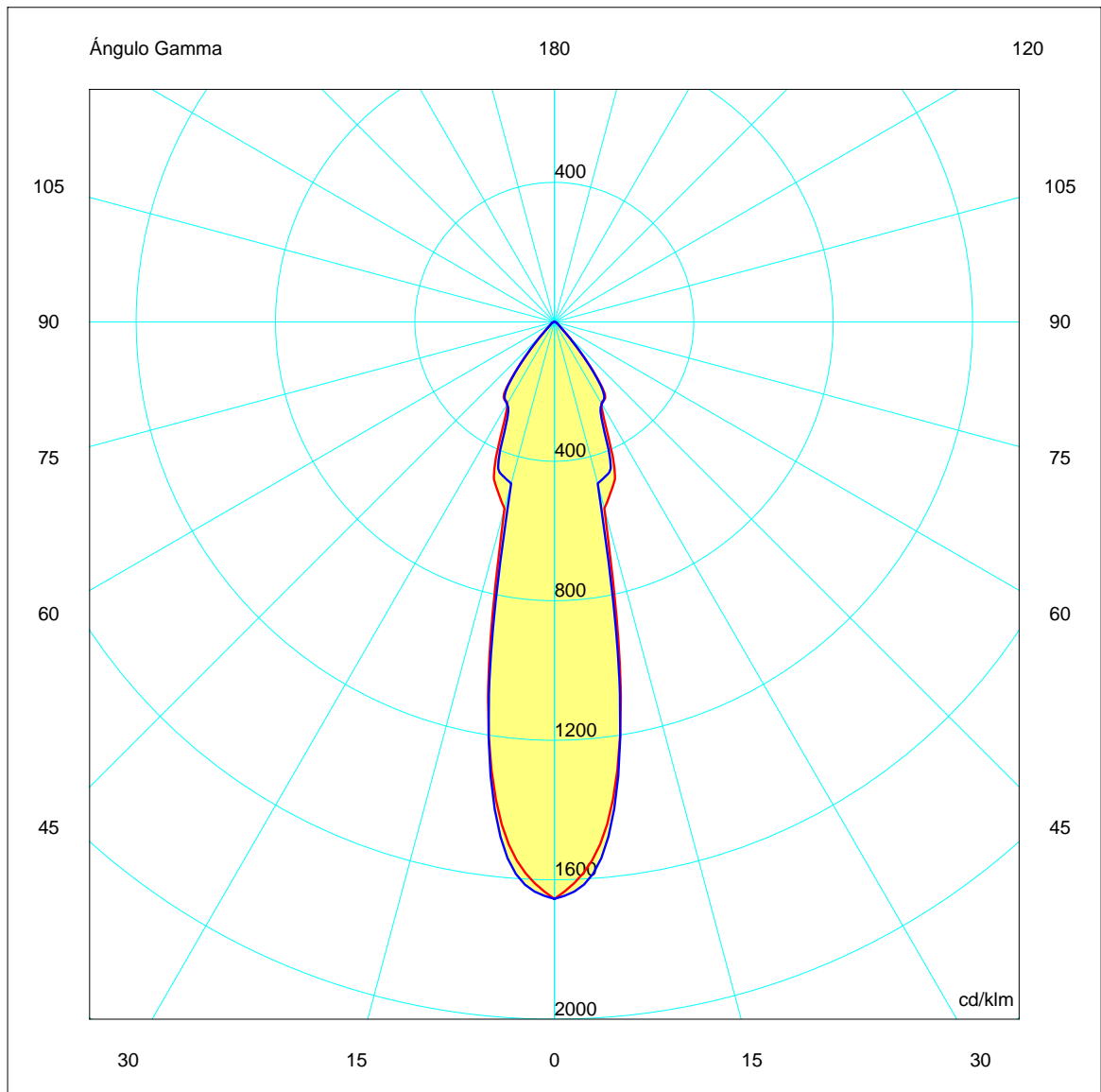
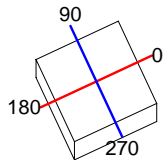
Download photometric file .ldt / .ies

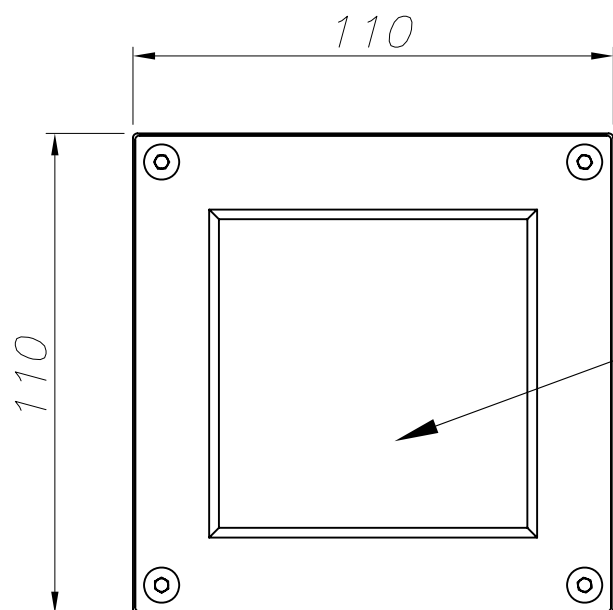
Luminaria		Ensayo		Lámpara	
Código	15-9328-34-B8	Código	15-9328-34-B8	Código	Hi-Spot 95 75W 30ø
Nombre	Plafón 75W PAR-30 E27	Nombre	Plafón 75W PAR30 E27	Número	1
Familia	- LEDS-C4	Fecha	19-11-2008	Posición	Universal
Eficiencia	69.45%	Sist. de Coorden.	C-G	Flujo Total	888.00 lm
Valor Máximo	1654.56 cd/klm	Posición	C=0.00 G=0.00		Bisimétrico

107mm x 107mm

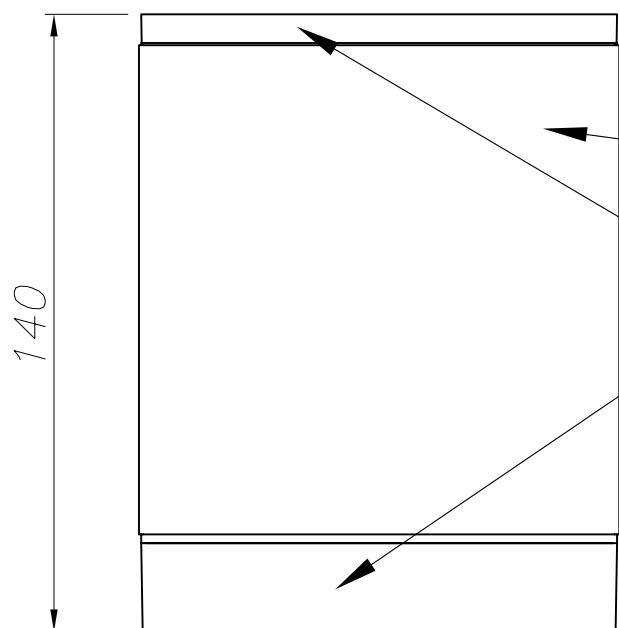
Semiplanos C

180.0 ——— 0.0
270.0 ——— 90.0



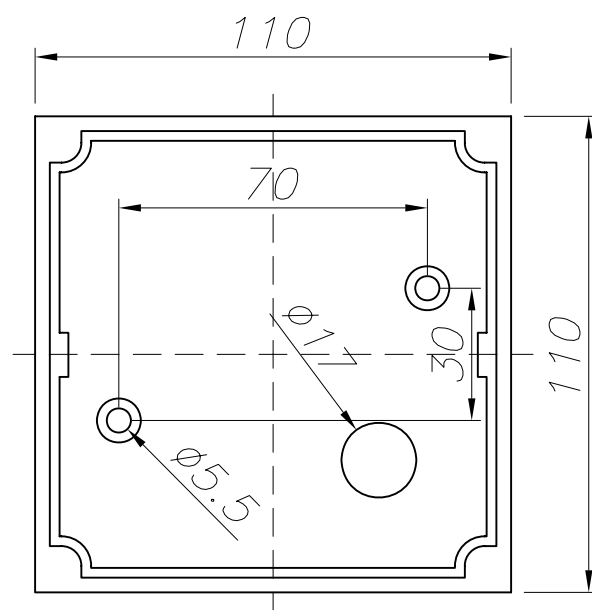


CRISTAL TRANSPARENTE
TRANSPARENT GLASS



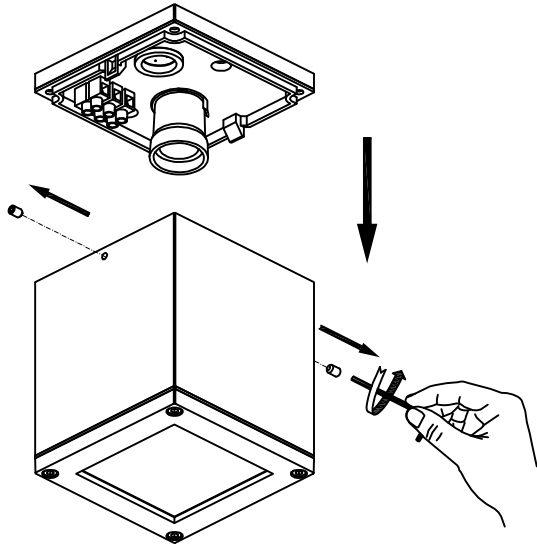
ALUMINIO EXTRUIDO
EXTRUDED ALUMINUM

ALUMINIO INYECTADO
INJECTED ALUMINUM

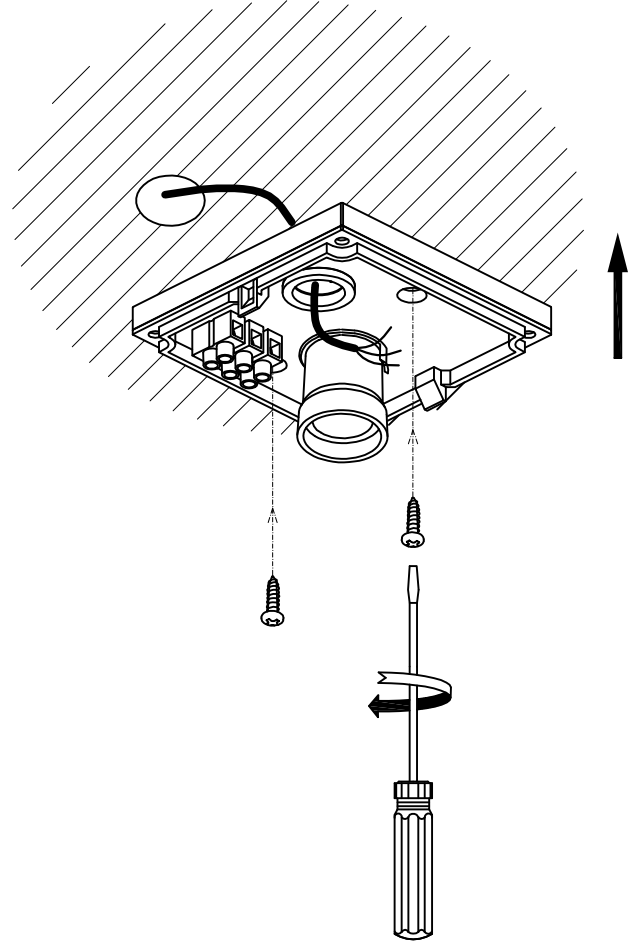


PLANTILLA DE INSTALACIÓN
INSTALLATION TEMPLATE

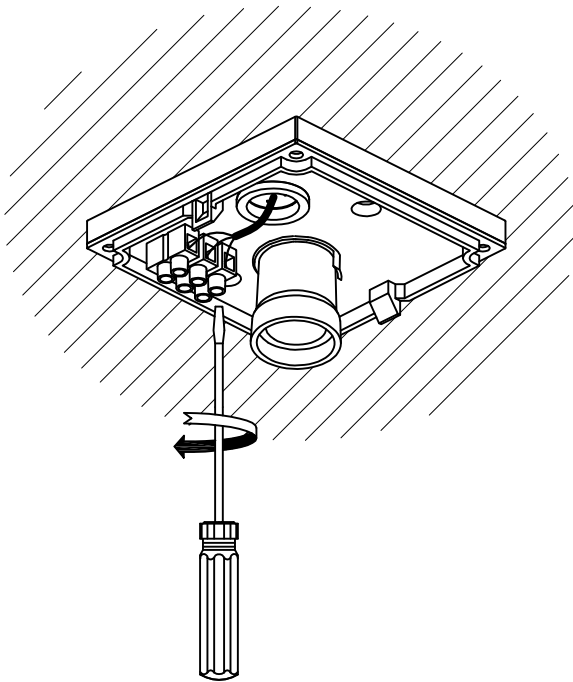
①



②



③



④

