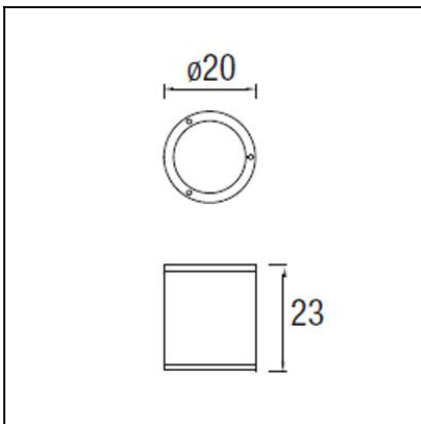


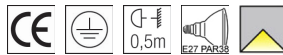


The photograph may not match the reference exactly. Please read the product description to identify the finish.



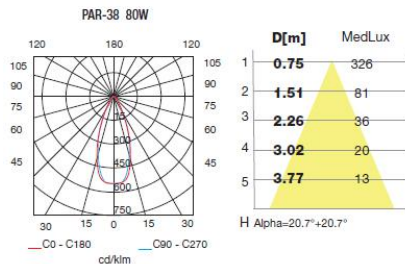
TECHNICAL CHARACTERISTICS

Type:	Ceiling fixture
IP Protection degrees:	IP65
IK Protection degrees:	IK08
Lampholder:	1 x E27/PAR-38
Power (W):	E27/PAR-38 MAX 80W
Total power consumption (W):	80
Voltage / Frequency:	230V/50-60Hz
Units per box:	4
Net Weight (Kg):	2.14
EAN:	8435111067406



MATERIALS / FINISHES

Structure material:	High purity aluminium	Diffuser material:	Glass
Structure finish:	Grey	Diffuser finish:	Transparent



Download photometric file .ldt / .ies

Report No.: 20130408002

Test Time: 2013-04-08 11:21

Luminaire Property

Luminaire Manufacturer: LEDS-C4
 Luminaire Category:
 Lamp Catalog:
 Number of Lamps: 3
 Luminous Length (mm): 75
 Luminous Height (mm): 5
 Current: 0.041 A
 Power Factor: 0.463

Luminaire Description: 55-9663
 Lamp Description: LED
 Lumens per Lamp: 100
 Luminous Width (mm): 75
 Voltage: 219.9 V
 Power: 4.20 W

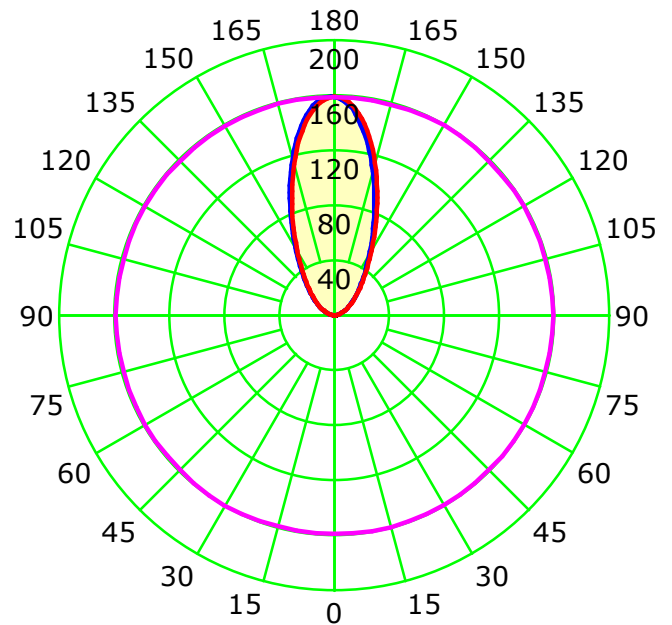
Photometric Results

CIE Class: Indirect
 Measurement Flux: 148.9 lm
 Downward Ratio: 0.00%
 Field Angle: H109.1 V108.1
 Luminaire Efficacy Rating (LER): 35
 Max. Intensity: 160.7 cd

Total Rated Lamp Lumens: 300.0 lm
 Efficiency: 49.64%
 Upward Ratio: 49.64%
 Beam Angle: H45.1 V45.5
 Central Intensity: 159.75 cd
 Pos of Max. Intensity: H150 V180

Picture Of Luminaire ...

Luminous Intensity Distribution Curve

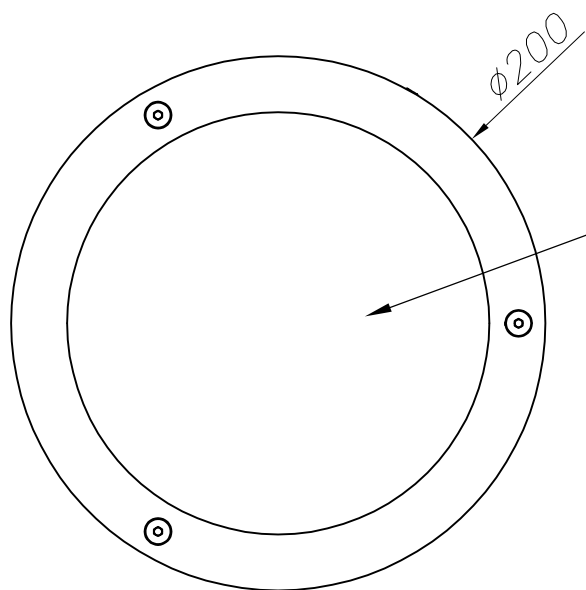


Unit: cd

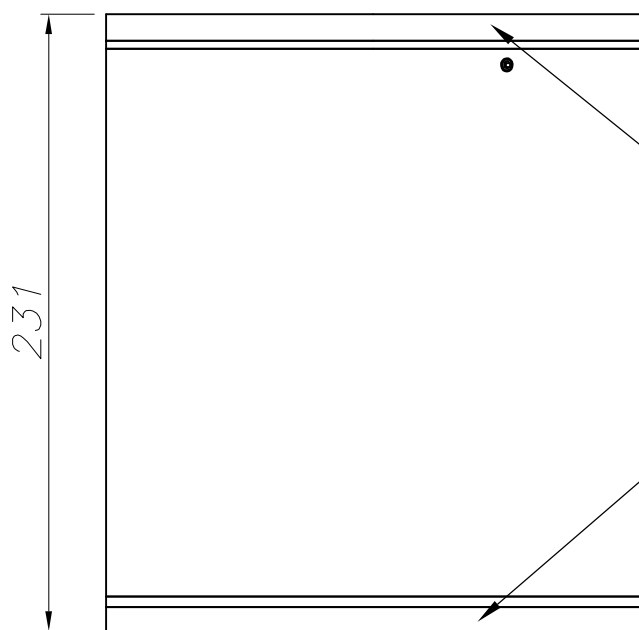
— C0-C180 — C90-C270 — G180

C Plane (°):0.0-360.0: 15.0
 Test Lab: INVENTFINE
 Test Type: TYPE C
 Temperature:
 Operator:

Gamma Plane (°):0.0-180.0:1.0
 Test Device: GPM-1800B
 Distance: 6.435 m
 Humidity:
 Inspector:

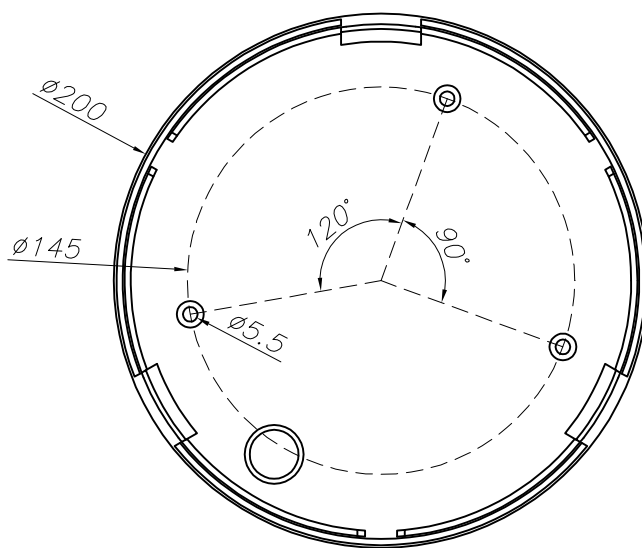


CRISTAL TRANSPARENTE
TRANSPARENT GLASS



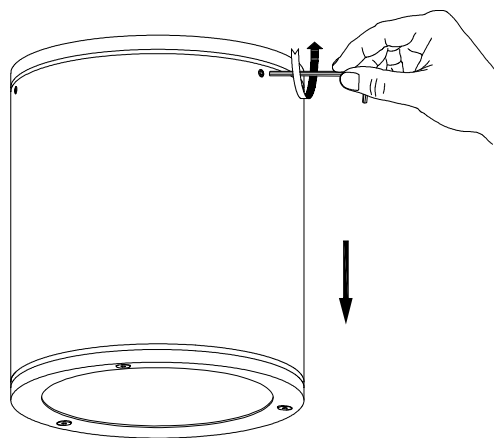
ALUMINIO EXTRUIDO
EXTRUDED ALUMINUM

ALUMINIO INYECTADO
INJECTED ALUMINIUM

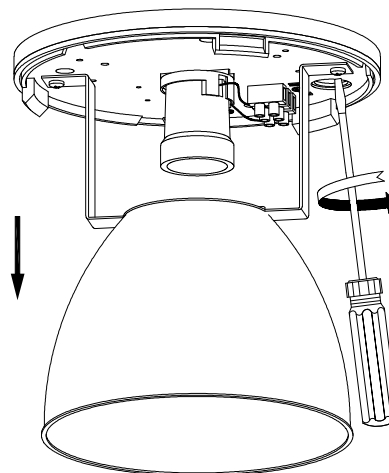


PLANTILLA DE INSTALACIÓN
INSTALLATION TEMPLATE

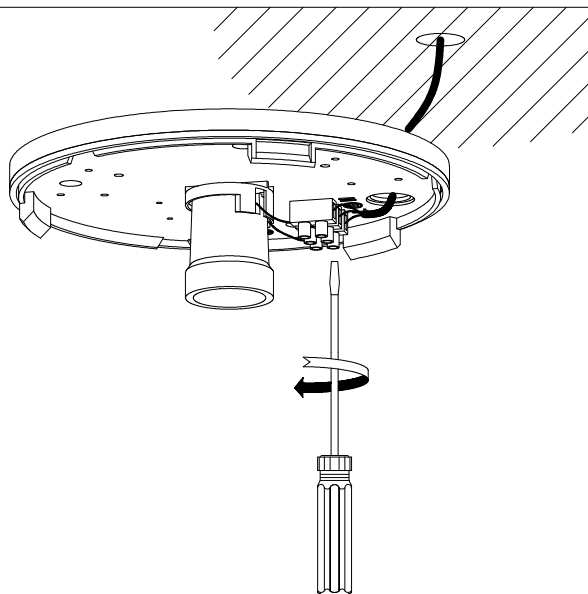
①



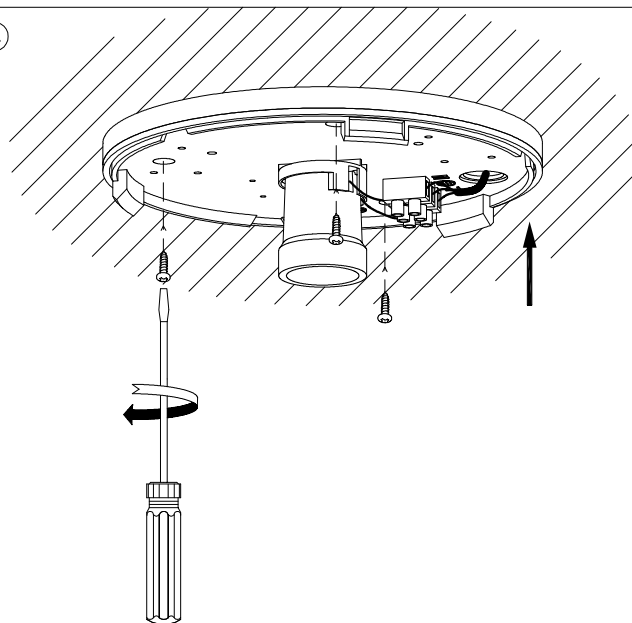
②



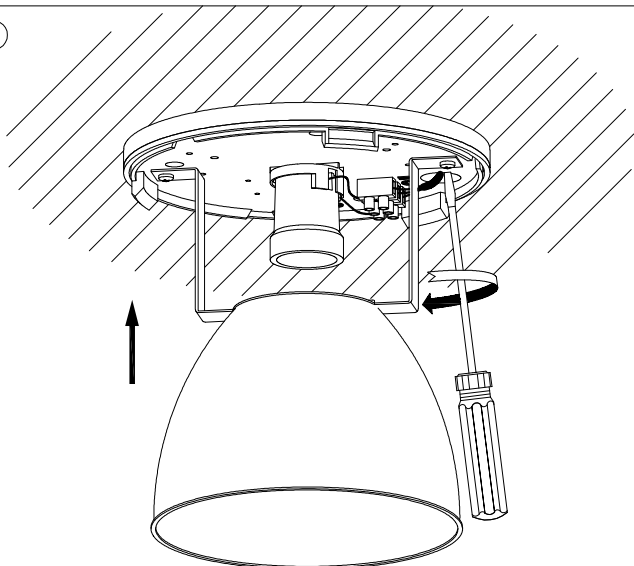
③



④



⑤



⑥

