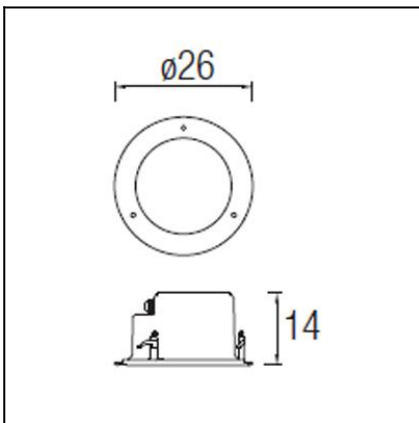




The photograph may not match the reference exactly. Please read the product description to identify the finish.

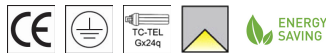


### DESCRIPTION

May be flush mounted into the wall. Body produced in injected aluminium, with an AISI 304 surround and a frosted glass diffuser. Light source using GX24d-3 26W fluorescent lamps. Available in two versions for one or two bulbs (not supplied). Includes BAG electronic components. Its design with wire outlets on both sides makes it particularly suitable for an array installation

### TECHNICAL CHARACTERISTICS

Type:	Ceiling fixture
IP Protection degrees:	IP66
IK Protection degrees:	IK08
Lampholder:	1 x GX24d3
Power (W):	GX24d3 26W
Voltage / Frequency:	230V/50Hz
Units per box:	4
Net Weight (Kg):	2.67
EAN:	8435111076347

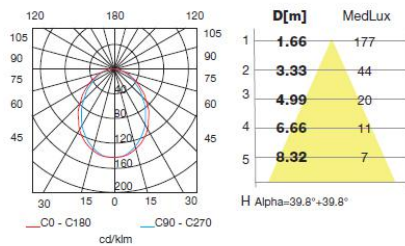


### MATERIALS / FINISHES

**Structure material:** Stainless steel  
 AISI304  
 Injected aluminium

**Diffuser material:** Glass

**Diffuser finish:** Matt



### GEAR

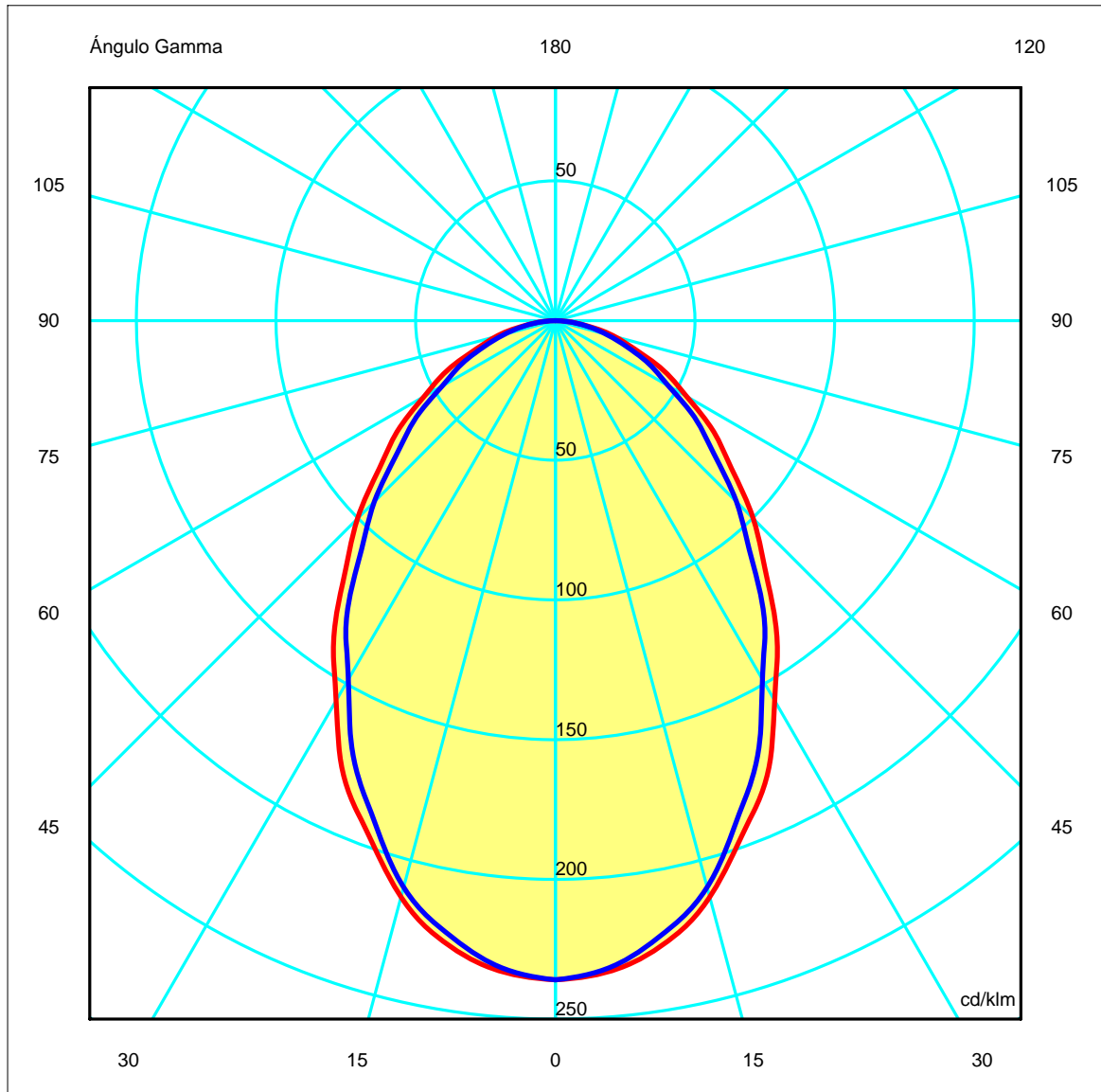
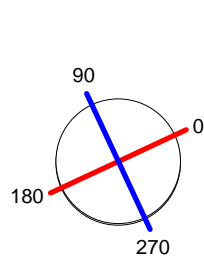
Gear included: Yes, Magnetic

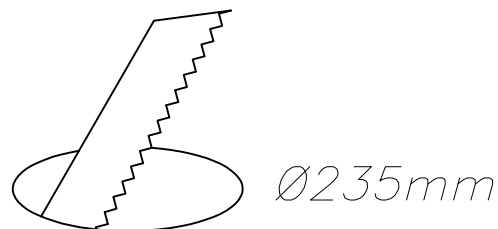
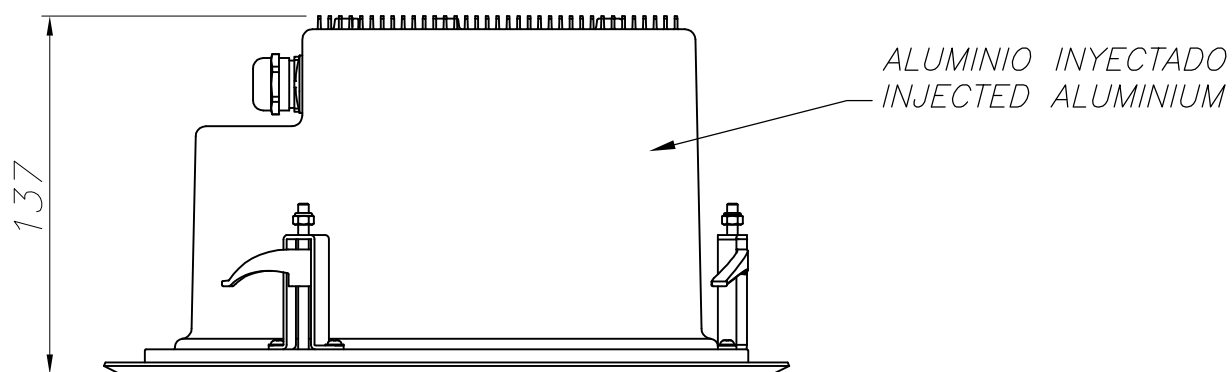
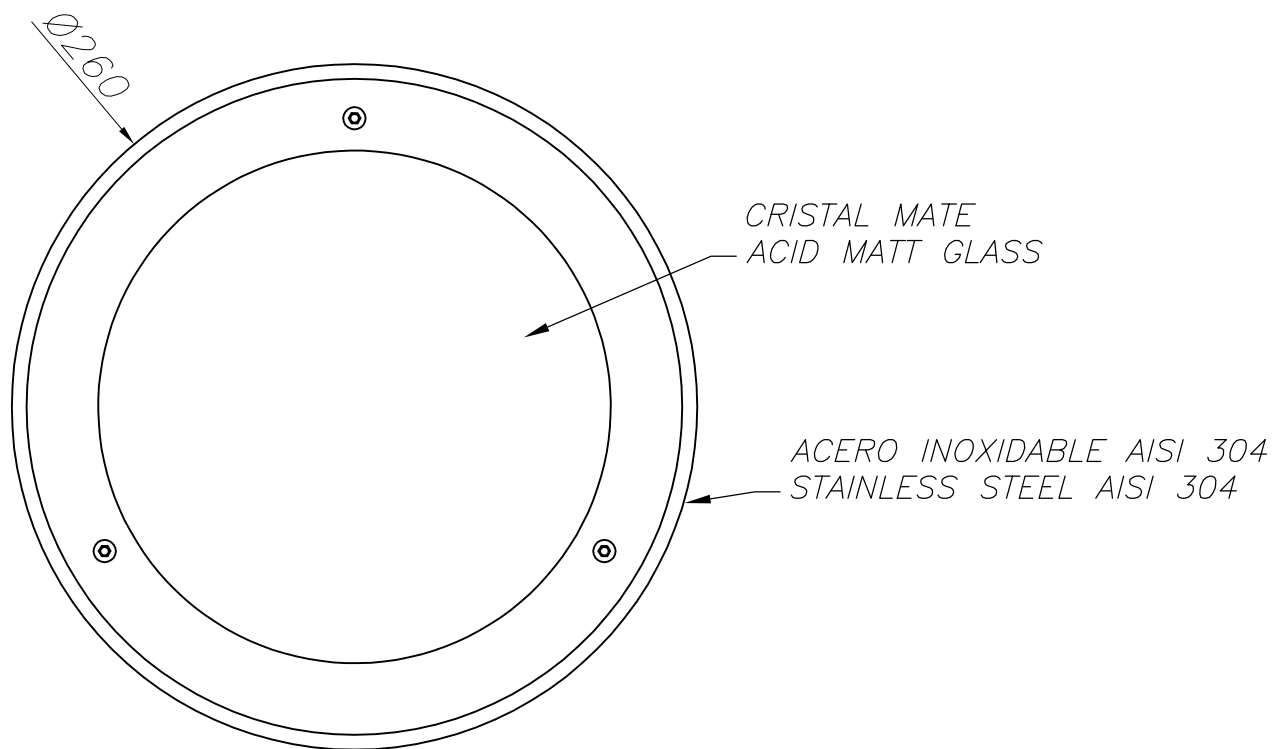
Download photometric file .ldt / .ies

<b>Luminaria</b>		<b>Ensayo</b>		<b>Lámpara</b>	
Código	15-9391-Y4-T2	Código	15-9391-Y4-T2	Código	PL-T26W/830/2P
Nombre	Downl GEA 1x26W TC-T dif. opal	Nombre	Down GEA 1x26W TC-T dif. opal	Número	1
Familia	- LEDS-C4	Fecha	31-07-2009	Posición	Universal
Eficiencia	43.69%	Sist. de Coorden.	C-G	Flujo Total	1800.00 lm
Valor Máximo	235.93 cd/klm	Posición	C=0.00 G=0.00		Bisimétrico

Diam=260mm Incasso

Semiplanos C





AGUJERO PARA EMPOTRAR  
FITTING HOLE

