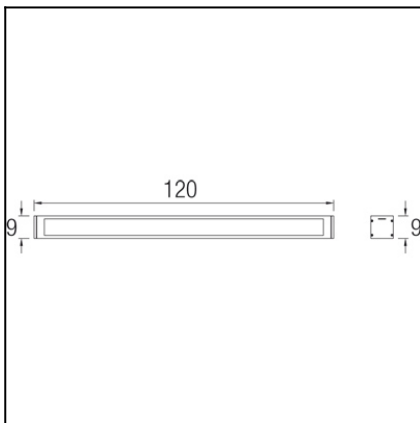




The photograph may not match the reference exactly. Please read the product description to identify the finish.



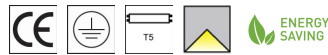
Download photometric file .ldt /.ies

### DESCRIPTION

Straight edged light unit. Tempered glass diffuser with body produced in extruded aluminium. Available in light grey. T5 fluorescent lamp light source (not supplied). Includes BAG electronic control components.

### TECHNICAL CHARACTERISTICS

Type:	Ceiling fixture
Adjustable $\pm 15^\circ$ on the vertical axis	
IP Protection degrees:	IP54
IK Protection degrees:	IK07
Lampholder:	1 x G5
Power (W):	G5 54W
Total power consumption (W):	57.5
Voltage / Frequency:	220-240V/50-60Hz
Units per box:	2
Net Weight (Kg):	5.885
EAN:	8435111089514



### MATERIALS / FINISHES

**Structure material:** Extruded aluminium  
**Structure finish:** Grey

**Diffuser material:** Glass  
**Diffuser finish:** Transparent

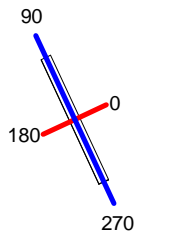
### GEAR

Gear included: Yes, electronic

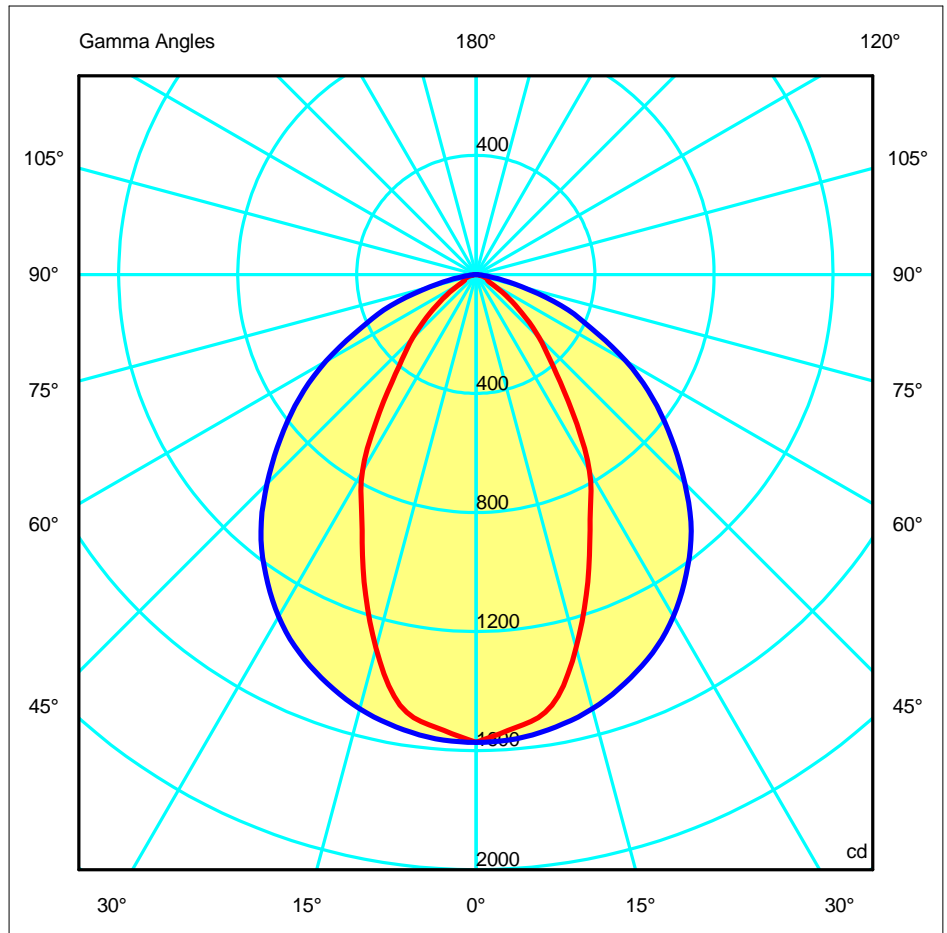
<b>Luminaire</b>		<b>Measur.</b>		<b>Lamp</b>		
Code	15-9561	Code	15-9561	Code	TL5 HO sup80 54W/840	
Name	AFRODITA	Name	AFRODITA	Number	1	
Line	Eulumdat	Date	16-10-2013	Position		
Efficiency	53.53%	Coordinate system	CG	Total Flux	4450.00 lm	
Maximum value	1571.87 cd	Position	C=0.00 G=0.00	Double Symmetrical		
Rectangular Luminaire	Length	1200 mm	Width	90 mm	Height	5 mm
Rectangular Luminous Area	Length	1165 mm	Width	50 mm	Height	1 mm
Horizontal Luminous Area	0.058250 m2	Emitting area on Plane 180°		0.001165 m2		
Emitting area on Plane 0°	0.001165 m2	Emitting area on Plane 270°		0.000050 m2		
Emitting area on Plane 90°	0.000050 m2	Glare area at 76°		0.015222 m2		
Symmetry Type	Double Symmetrical	Maximum Gamma Angle		90		
Measurement Distance	0.00	Measurement Flux		4450.00 lm		
Operator		Source voltage				
Temperature	25.00 °C	Source current				
Humidity	60.00 %	Photocell				
Notes						

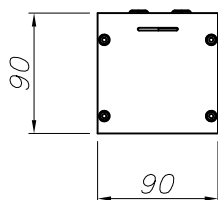
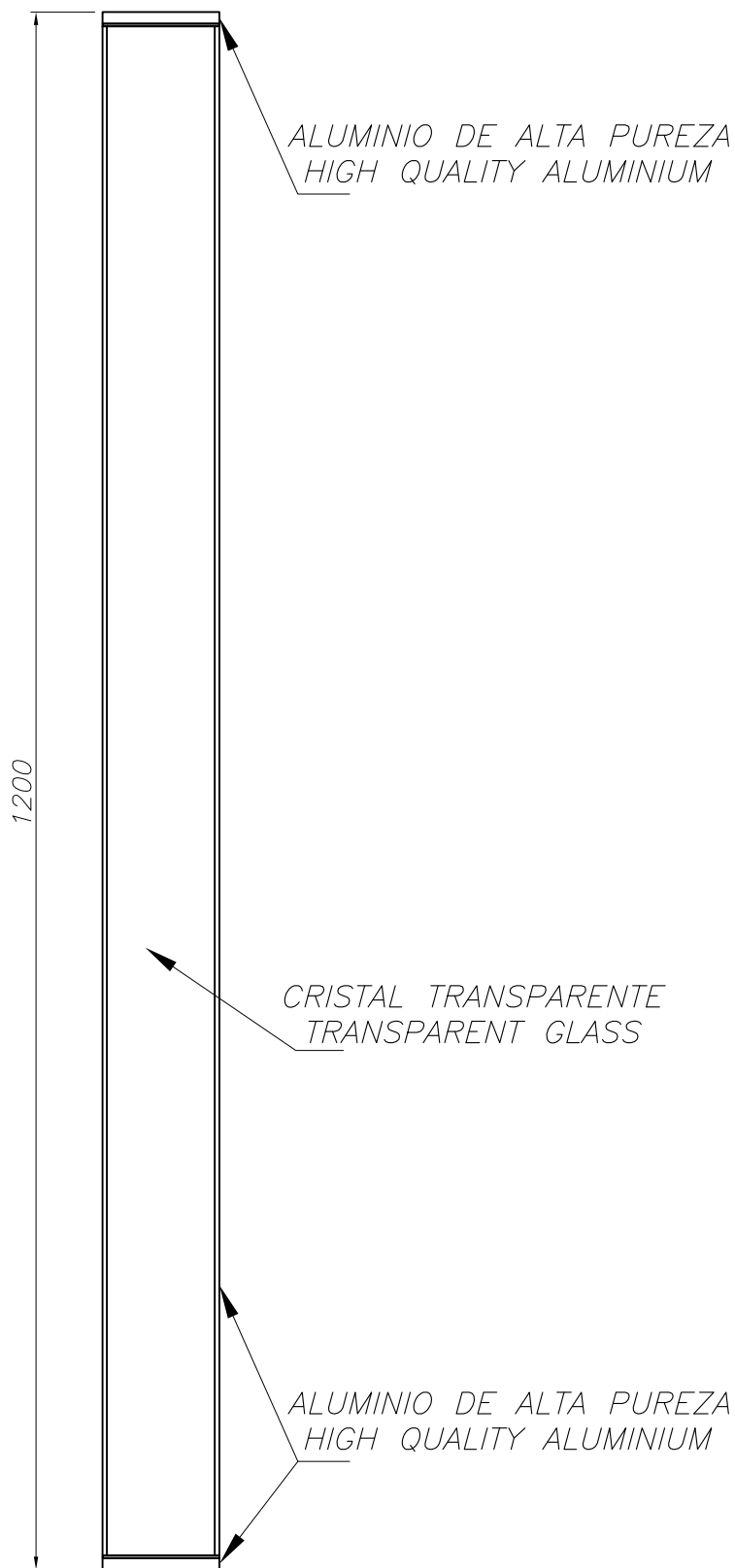
Luminaire Lamps					
Line	Code	Name	Flux [lm]	Pow. [W]	Q.ty
Eulumdat	TL5 HO sup80 54W/840	TL5 HO sup80 54W/840 - 54.00 W	4450.00	54.00	1
C.I.E.	67 92 99 100 54	D DIN 5040	A50		
F UTE	0.54 C	B NBN	BZ 2		

1200mm x 90mm



ULOR 0.00 %  
 DLOR 53.53 %  
 RN 0.00 %





PLANTILLA DE INSTALACIÓN  
INSTALLATION TEMPLATE

