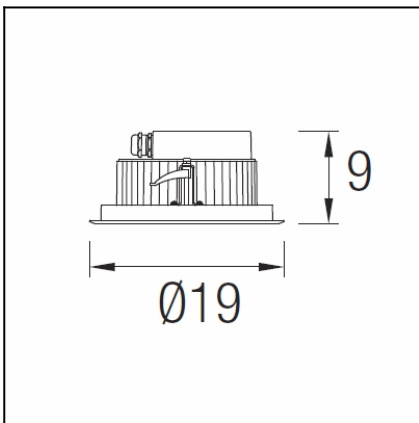




The photograph may not match the reference exactly. Please read the product description to identify the finish.



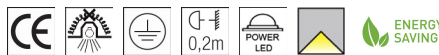
Download photometric file .ldt /.ies

### DESCRIPTION

May be flush mounted onto the ceiling. Body produced in injected aluminium, with an AISI 316 stainless steel surround and a clear glass diffuser. Light source comprises 9 CREE 4200K 3W LED lights with a total output of 1,836 lumens. Beam aperture of 25°. Driver included (230V). Includes 3000K warm light filter and a light diffuser filter. Its wire outlets on both sides makes it suitable for an array installation. It can be rotated by +/- 15°. Compact design (only 9cm deep).

### TECHNICAL CHARACTERISTICS

Type:	Downlight
Adjustable $\pm 15^\circ$ on the vertical axis	
IP Protection degrees:	IP66
IK Protection degrees:	IK08
Bulb:	9 x LED Cree. Neutral white - 4200K
Power (W):	18.9
Total power consumption (W):	20.1
Luminous efficacy (Lm/W):	102, 102
Angle Óptiques:	25°
Voltage / Frequency:	220-240V/50-60Hz
Warranty (Years):	2
Option to extend the guarantee:	Yes, 5 years
Units per box:	2
Net Weight (Kg):	1.75
EAN:	8,43538E+12



### MATERIALS / FINISHES

**Structure material:** Stainless steel  
AISI316

**Diffuser material:** Glass

**Diffuser finish:** Tempered

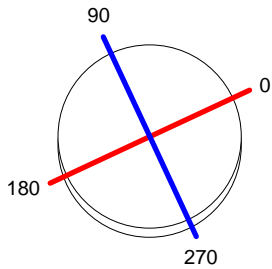
### GEAR

Multi-voltage electronic gear included (220-240V / 50-60 Hz)

<b>Luminaire</b>		<b>Measur.</b>		<b>Lamp</b>	
Code	35-2186-14-37	Code	35-2186-60-37	Code	FORTIMO LED 2000 19W
Name	Proyector 19W 3000K 24° blanco	Name	Proyector 19W 3000K 24° negro	Number	1
Line	- LEDS C4 LEDS	Date	25-03-2013	Position	Universal
Efficiency	72.05%	Coordinate system	CG	Total Flux	2000.00 lm
Maximum value	4108.01 cd	Position	C=0.00 G=0.00	Double Symmetrical	
Round Luminaire	Diam.	100 mm	Height	210 mm	
Round Luminous Area	Diam.	80 mm	Height	0 mm	
Horizontal Luminous Area	0.005027 m2	Emitting area on Plane 180°	0.000000 m2	Emitting area on Plane 270°	0.000000 m2
Emitting area on Plane 0°	0.000000 m2	Glare area at 76°	0.001216 m2		
Emitting area on Plane 90°	0.000000 m2				
Symmetry Type	Double Symmetrical	Maximum Gamma Angle	90	Measurement Flux	2000.00 lm
Measurement Distance	6.44				
Operator	Asselum T2	Source voltage	230.00 V		
Temperature	20.00 °C	Source current			
Humidity	50.00 %	Photocell	PRC		
Notes					

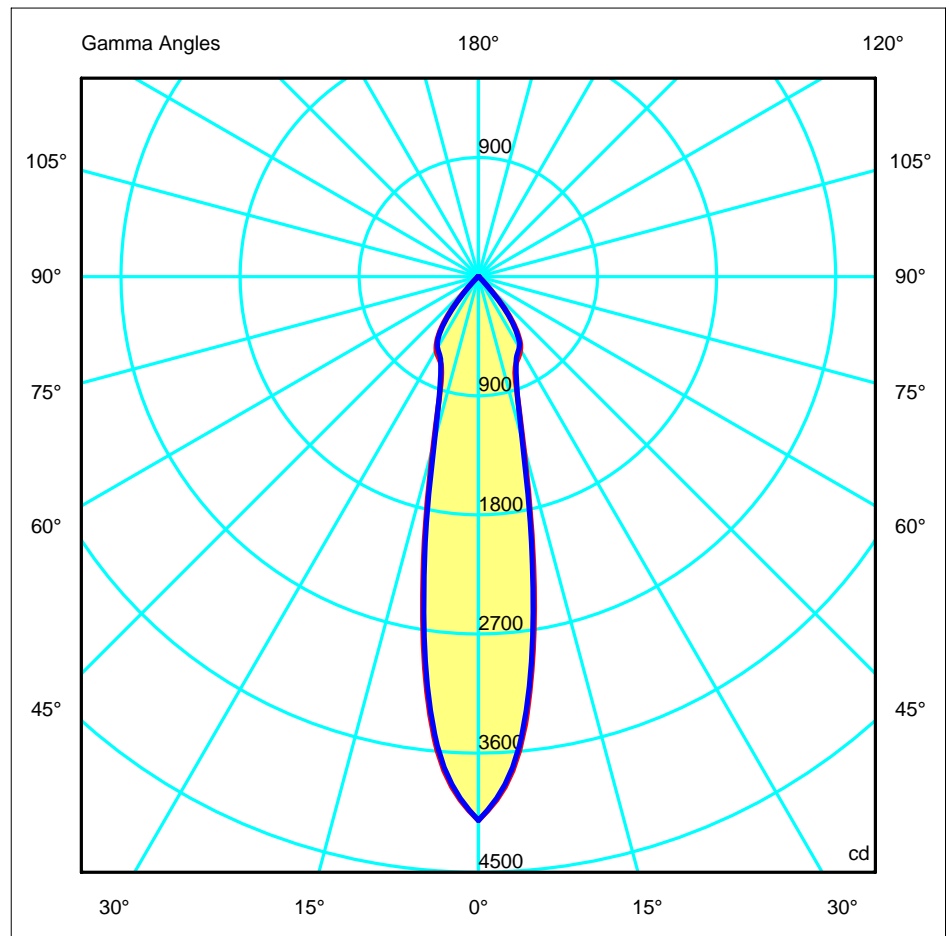
Luminaire Lamps						
Line	Code	Name	Flux [lm]	Pow. [W]	Q.ty	
- LEDS C4 LEDS	FORTIMO LED 2000 19W	Lámpara led blanco 19W	2000.00	19.00	1	
C.I.E.	94 99 100 100 72	D DIN 5040				A60
F UTE	0.72 A	B NBN				BZ 1

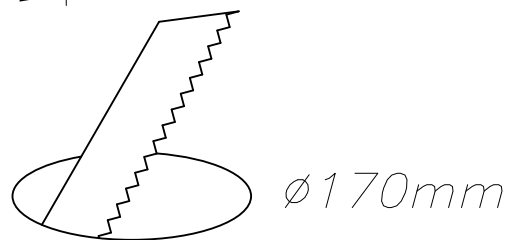
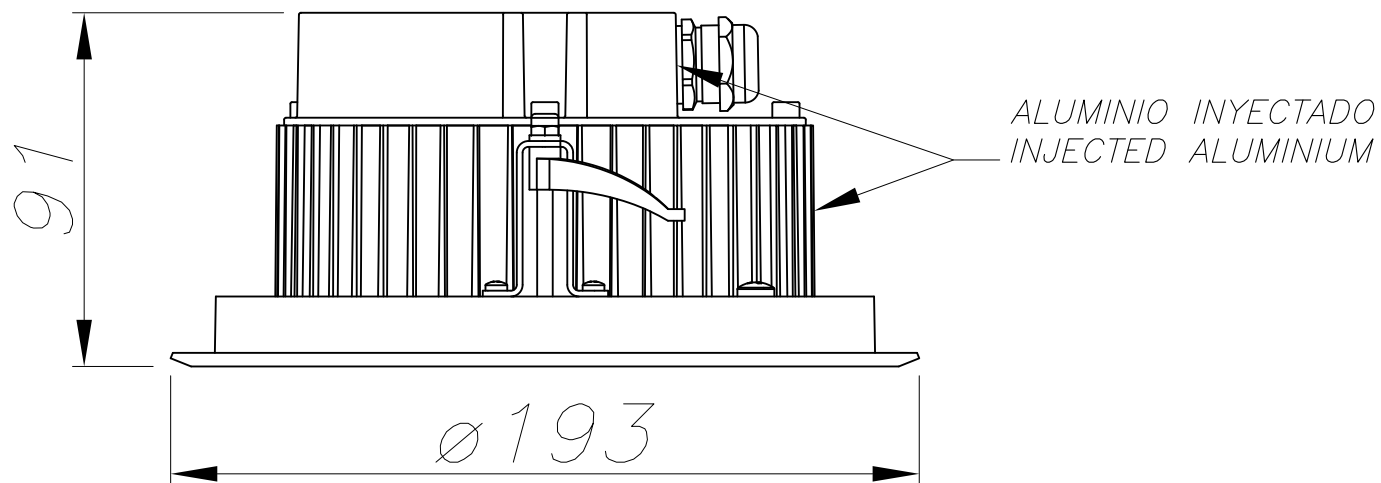
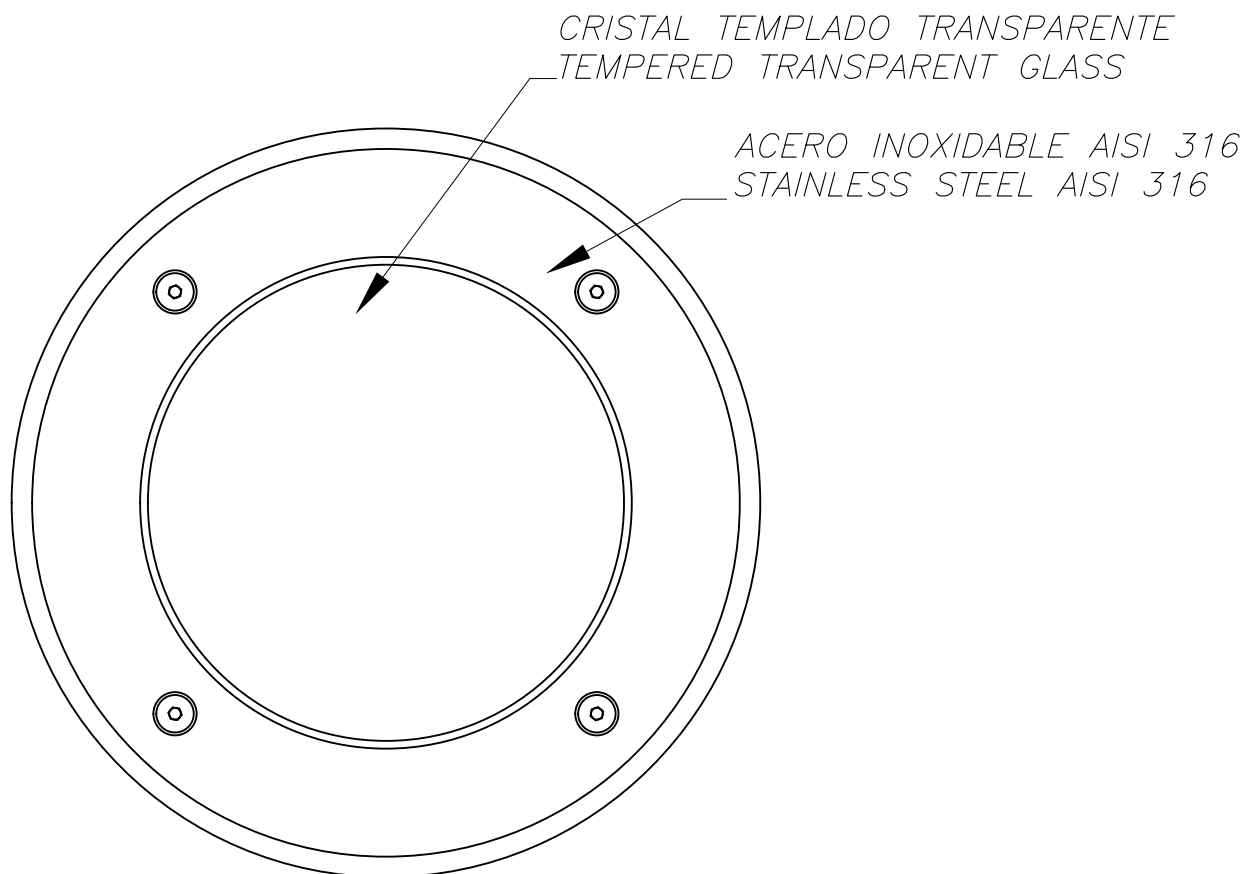
Diam=100mm



C Halfplanes  
 180.0 — 0.0  
 270.0 — 90.0

ULOR 0.00 %  
 DLOR 72.05 %  
 RN 0.00 %





AGUJERO PARA EMPOTRAR  
FITTING HOLE

