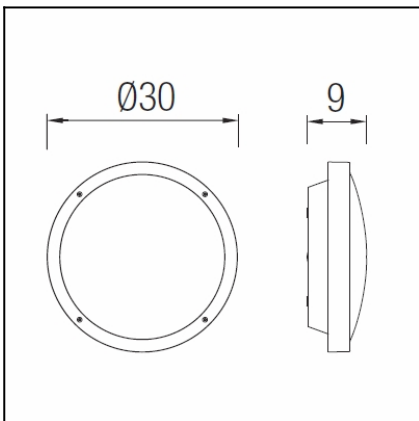




The photograph may not match the reference exactly. Please read the product description to identify the finish.



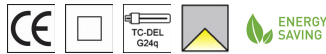
Download photometric file .ldt /.ies

DESCRIPTION

Surface mounted light suitable for general direct ceiling or wall lighting. ABS body and frosted polycarbonate diffuser. Fluorescent light source with two G24q-2 18W fluorescent lamps (not supplied). Includes BAG electronic control components. Its high IP and IK rating (IP65, IK10) and its tough weatherproof material make it extremely resistant even under the most severe weather conditions. Suitable for marine and coastal environments.

TECHNICAL CHARACTERISTICS

Type:	Ceiling fixture
IP Protection degrees:	IP65
IK Protection degrees:	IK10
Lampholder:	2 x G24q2
Power (W):	G24q2 2x18W
Voltage / Frequency:	220-240V/50-60Hz
Warranty (Years):	2
Units per box:	12
Net Weight (Kg):	0.765
EAN:	8,43538E+12



MATERIALS / FINISHES

Structure material: Polycarbonate
ABS

Diffuser material: Polycarbonate

Structure finish: Grey
Grey

Diffuser finish: Semitransparent

GEAR

Gear included: Yes, electronic

71-9711-00-00

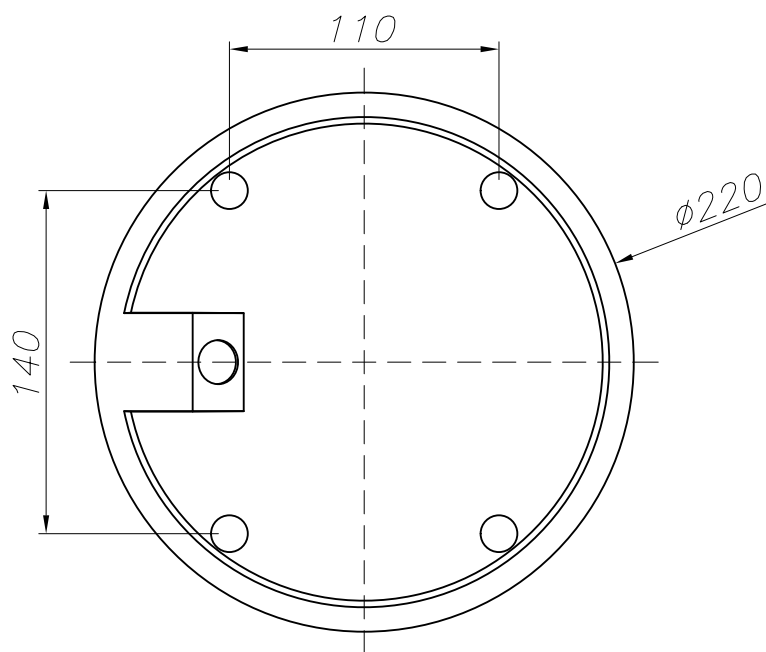
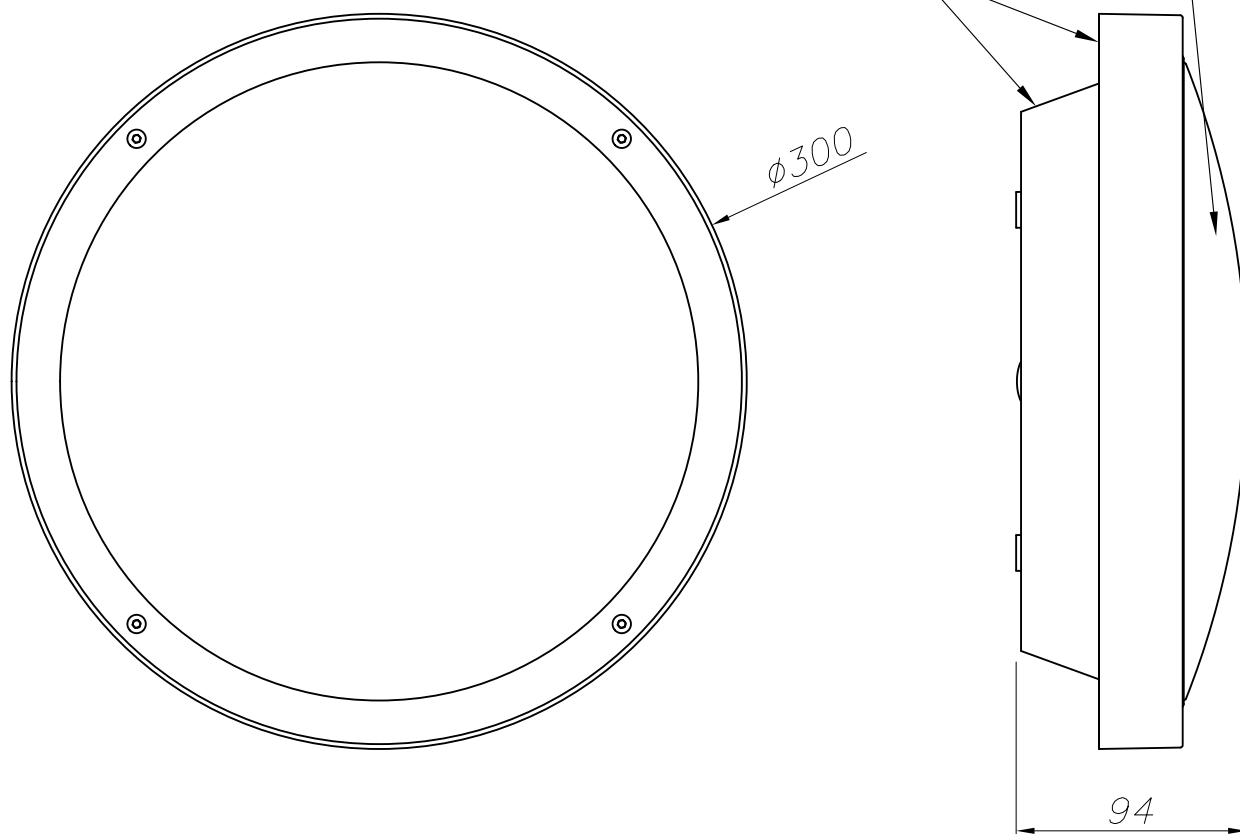


71-9712-00-00



PC SEMITRANSARENTE (70% BLANCO) MATE
SEMISTRANSARENTE (70% WHITE) MATT PC

PC+ABS MATE
MATT PC+ABS



PLANTILLA DE INSTALACIÓN
INSTALLATION TEMPLATE

