

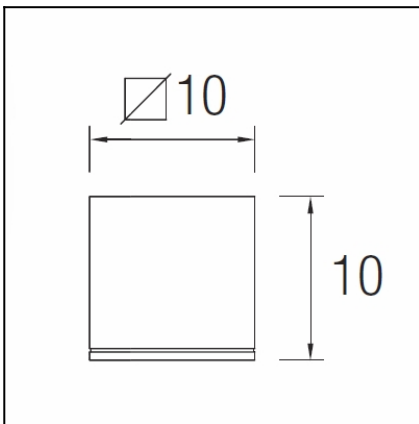
OUT 

AFRODITA

15-9680-34-37



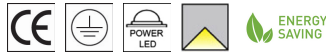
The photograph may not match the reference exactly. Please read the product description to identify the finish.



Download photometric file .ldt /.ies

TECHNICAL CHARACTERISTICS

Type:	Ceiling fixture
IP Protection degrees:	IP65
IK Protection degrees:	IK04
Bulb:	4 x LED Cree. Neutral white - 4200K
Power (W):	12W
Luminous efficacy (Lm/W):	94, 94
Angle Óptiques:	40°
Voltage / Frequency:	100-240V/50-60Hz
Warranty (Years):	2
Option to extend the guarantee:	Yes, 5 years
Units per box:	8
Net Weight (Kg):	1.04
EAN:	8,43538E+12



MATERIALS / FINISHES

Structure material:	Injected aluminium	Diffuser material:	Glass
Structure finish:	Grey	Diffuser finish:	Transparent

GEAR

Multi-voltage electronic gear included (110-240 V / 50-60 Hz)

Report No.:

Test Time: 2012-12-29 14:50

Luminaire Property

Luminaire Manufacturer: LEDS-C4
 Luminaire Category:
 Lamp Catalog:
 Number of Lamps: 4
 Luminous Length (mm): 100
 Luminous Height (mm): 8
 Current: 0.071 A
 Power Factor: 0.947

Luminaire Description: 15-9680
 Lamp Description: LED
 Lumens per Lamp: 162
 Luminous Width (mm): 100
 Voltage: 220.2 V
 Power: 14.80 W

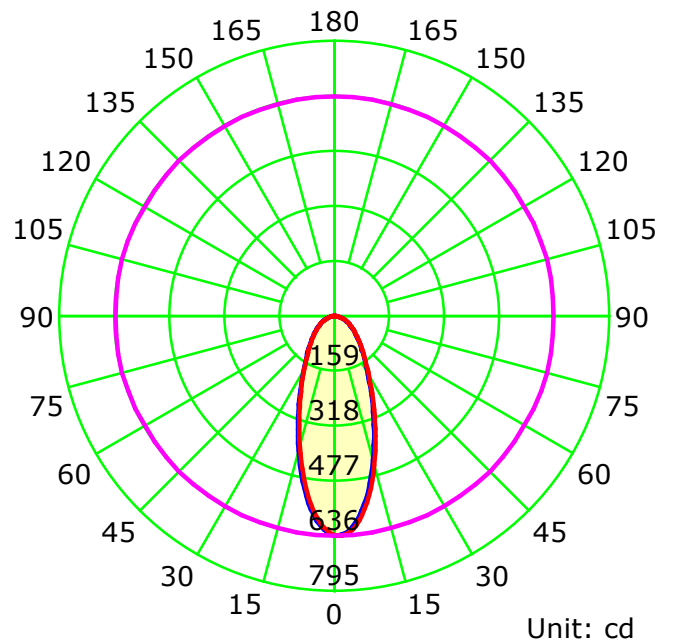
Photometric Results

CIE Class: Direct
 Measurement Flux: 563.8 lm
 Downward Ratio: 87.00%
 Horizontal Diffuse Angle(25%,50%,75%,100%): H66.7,H40.5,H24.4,H1
 Vertical Diffuse Angle(25%,50%,75%,100%): V66.7,V40.6,V24.4,V1
 Luminaire Efficacy Rating (LER): 38
 Max. Intensity: 636.5 cd

Total Rated Lamp Lumens: 648.0 lm
 Efficiency: 87.00%
 Upward Ratio: 0.00%
 Central Intensity: 634.94 cd
 Pos of Max. Intensity: H75 V0

Picture Of Luminaire ...

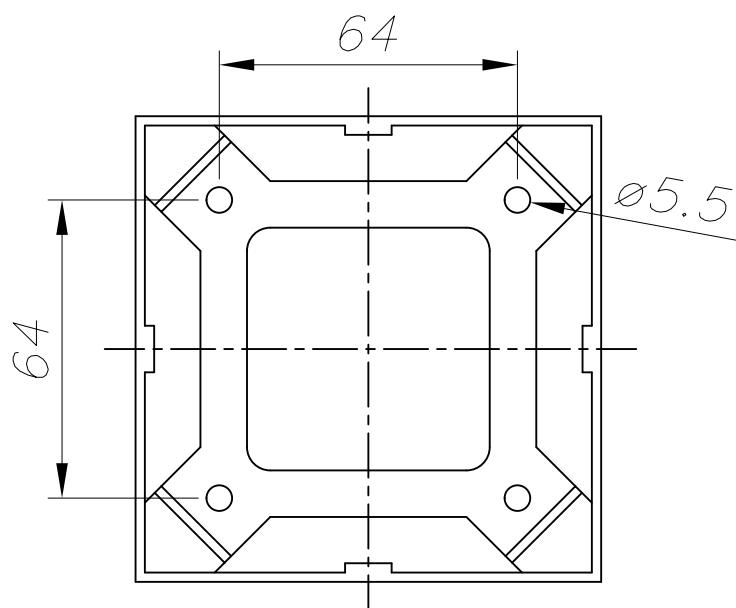
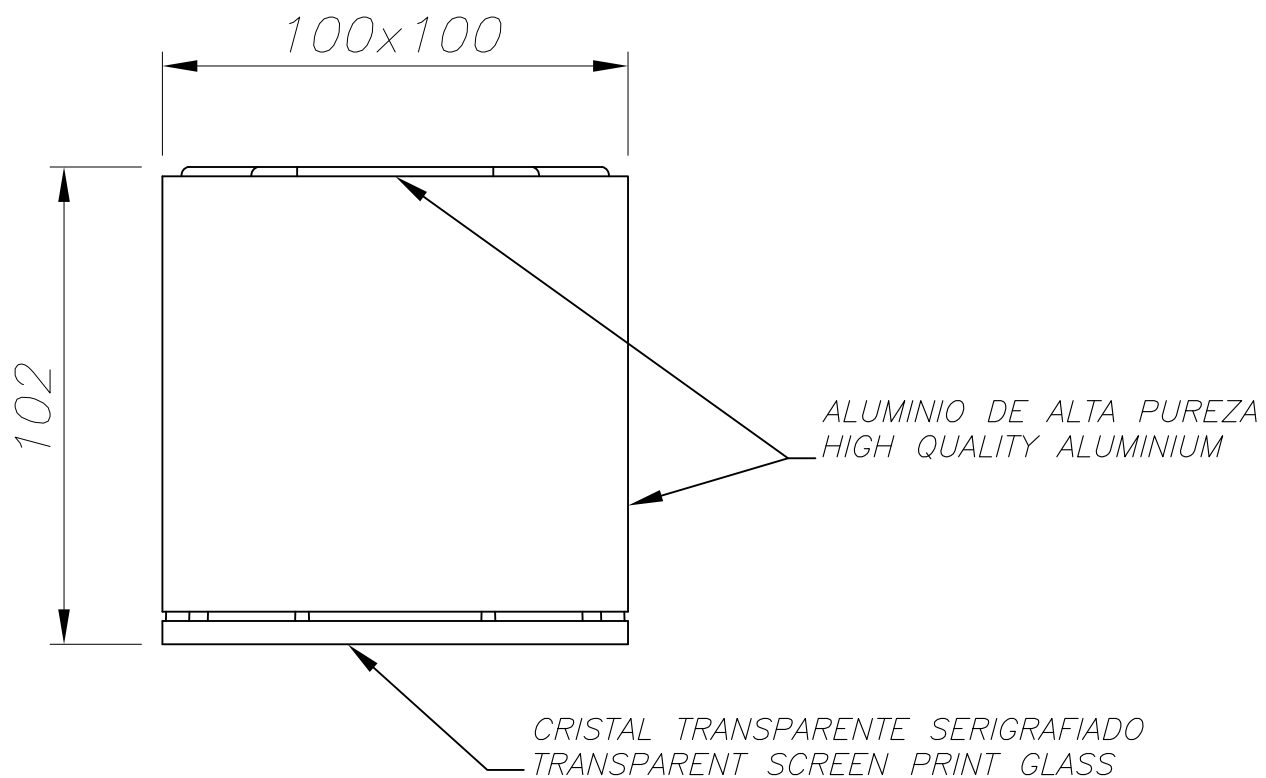
Luminous Intensity Distribution Curve



— C0-C180 — C90-C270 — G0

C Plane (°):0.0-360.0: 15.0
 Test Lab: INVENTFINE
 Test Type: TYPE C
 Temperature:
 Operator:

Gamma Plane (°):0.0-90.0:1.0
 Test Device: GPM-1800B
 Distance: 6.443 m
 Humidity:
 Inspector:



PLANTILLA DE INSTALACIÓN
INSTALLATION TEMPLATE

