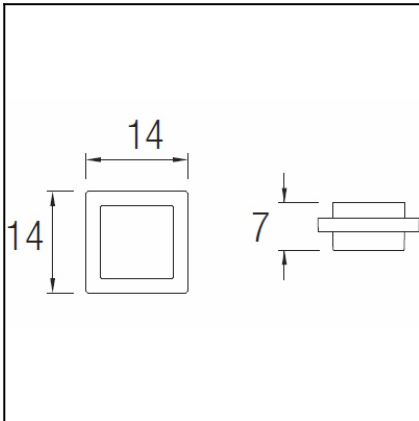




The photograph may not match the reference exactly. Please read the product description to identify the finish.



Download photometric file .ldt /.ies

TECHNICAL CHARACTERISTICS

Type:	Ceiling fixture
IP Protection degrees:	IP54
IK Protection degrees:	IK10
Bulb:	25 x LED. Warm White - 3000K
Power (W):	0.1
Total power consumption (W):	4.9
Voltage / Frequency:	100-240V/50-60Hz
Warranty (Years):	2
Option to extend the guarantee:	Yes, 5 years
Units per box:	12
Net Weight (Kg):	0.56
EAN:	8,43538E+12


MATERIALS / FINISHES

Structure material:	Injected aluminium	Diffuser material:	Polycarbonate
Structure finish:	Grey	Diffuser finish:	Opal

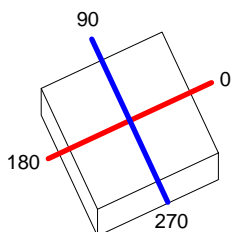
GEAR

Multi-voltage electronic gear included (110-240 V / 50-60 Hz)

Luminaire		Measur.		Lamp		
Code	15-9688-34-M1	Code	15-9688-34-M1	Code	LED	
Name	Outdoor	Name	Outdoor	Number	1	
Line	JEP	Date	18-12-2013	Position		
Efficiency	55.42%	Coordinate system	CG	Total Flux	500.00 lm	
Maximum value	78.83 cd	Position	C=0.00 G=0.00	Asymmetrical		
Rectangular Luminaire	Length	1 mm	Width	1 mm	Height	1 mm
Rectangular Luminous Area	Length	1 mm	Width	1 mm	Height	1 mm
Horizontal Luminous Area	0.000001 m2	Emitting area on Plane 180°		0.000001 m2		
Emitting area on Plane 0°	0.000001 m2	Emitting area on Plane 270°		0.000001 m2		
Emitting area on Plane 90°	0.000001 m2	Glare area at 76°		0.000001 m2		
Symmetry Type	Asymmetrical	Maximum Gamma Angle		180		
Measurement Distance	0.00	Measurement Flux		500.00 lm		
Operator		Source voltage				
Temperature	25.00 °C	Source current				
Humidity	60.00 %	Photocell				
Notes						

Luminaire Lamps						
Line	Code	Name	Flux [lm]	Pow. [W]	Q.ty	
IESNA-1995	LED	15-9688 - 4.70 W	500.00	4.70	1	
C.I.E.	41 71 90 95 55	D DIN 5040		A31		
F UTE	0.52 G + 0.03 T	B NBN		BZ 5		

1mm x 1mm



C Halfplanes

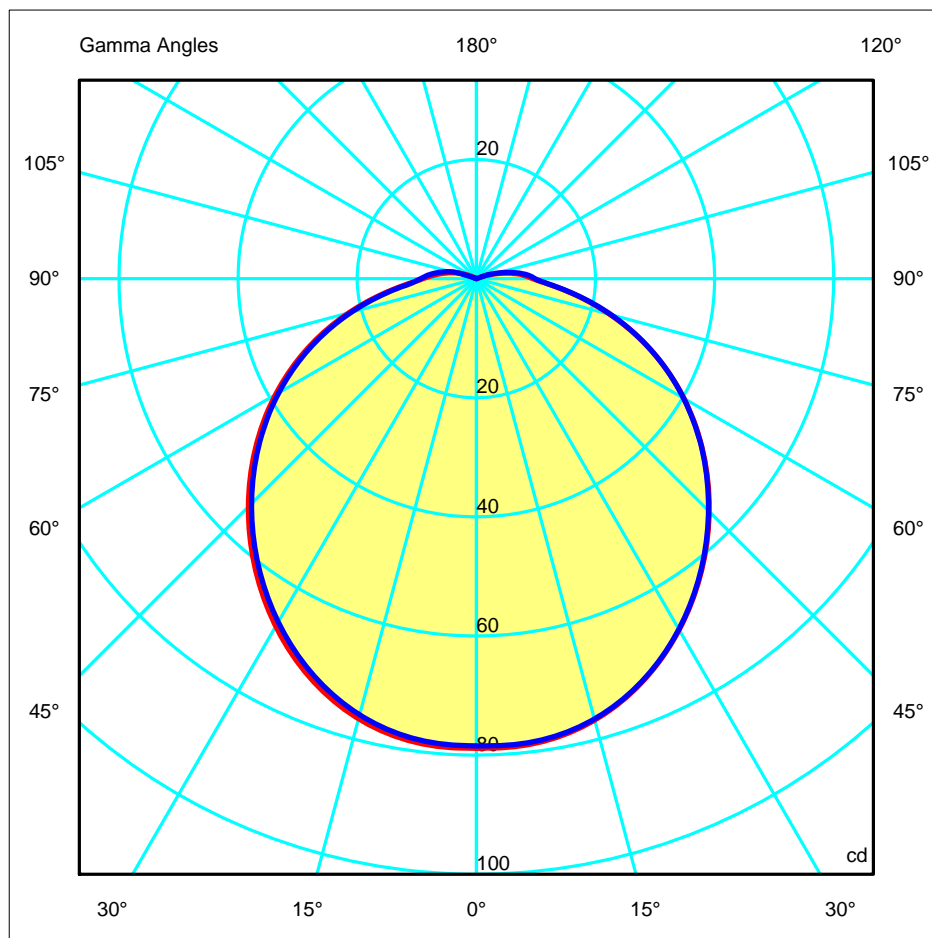
180.0 — 0.0

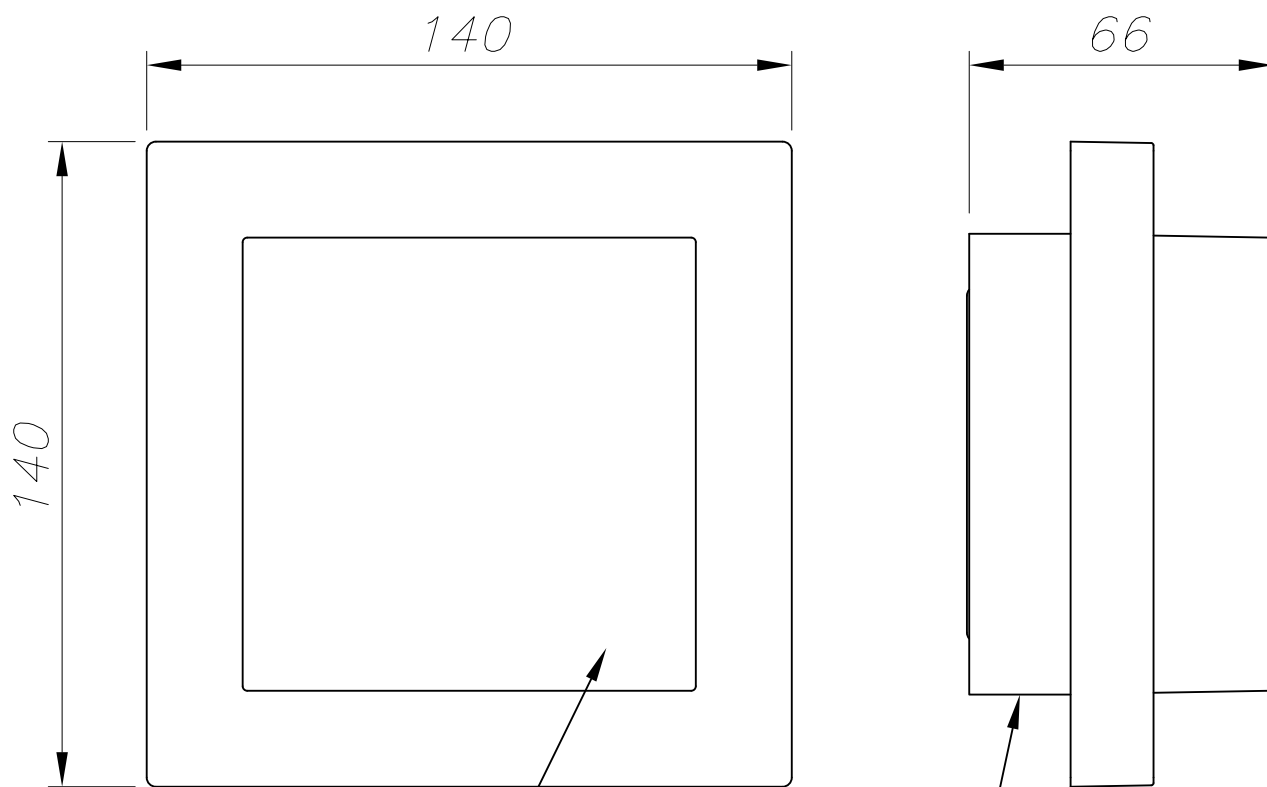
270.0 — 90.0

ULOR 2.96 %

DLOR 52.46 %

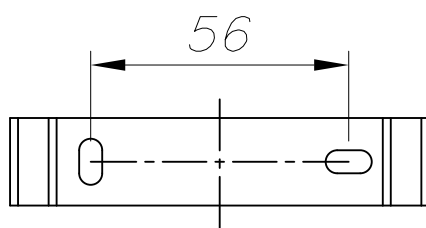
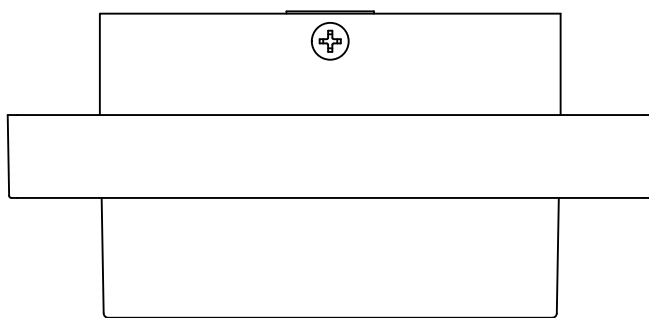
RN 5.34 %





POLICARBONATO OPAL
OPAL POLYCARBONATE

ALUMINIO INYECTADO
INJECTED ALUMINUM



PLANTILLA DE INSTALACIÓN
INSTALLATION TEMPLATE

