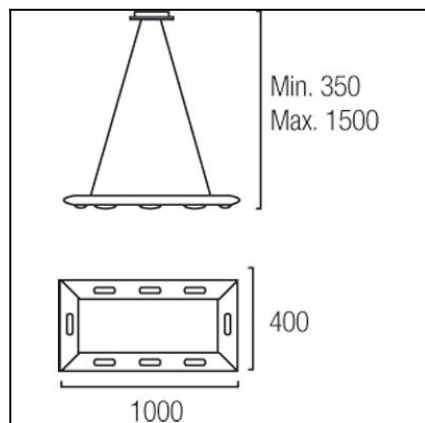


Design by Josep Patsí



The photograph may not match the reference exactly. Please read the product description to identify the finish.



TECHNICAL CHARACTERISTICS

Type:	Pendant
IP Protection degrees:	IP20
Lampholder:	8 x G9
Power (W):	G9 MAX 75W
Bulb included:	8 x G9 60W
Total power consumption (W):	600
Voltage / Frequency:	220-240V/50-60Hz
Units per box:	4
Net Weight (Kg):	3.42
EAN:	8435111033944



MATERIALS / FINISHES

Structure material: Aluminium

Diffuser material: Glass

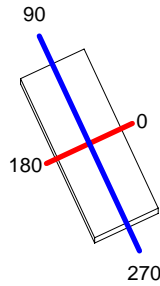
Structure finish: Chrome

Diffuser finish: Tinted

[Download photometric file .ldt / .ies](#)

Luminaria		Ensayo		Lámpara	
Código	20-0313-21-F1	Código	20-0313-21-F1	Código	66675AM
Nombre	Colgante ADAGIO 8x75W G9 halog	Nombre	Colgante ADAGIO 8x75W G9 halog	Número	8
Familia	- LEDS-C4	Fecha	15-04-2010	Posición	Universal
Eficiencia	51.87%	Sist. de Coorden.	C-G	Flujo Total	8400.00 lm
Valor Máximo	955.41 cd	Posición	C=0.00 G=170.00		Asimétrico

1000mm x 400mm



Semiplanos C

180.0 ——— 0.0
270.0 ——— 90.0

