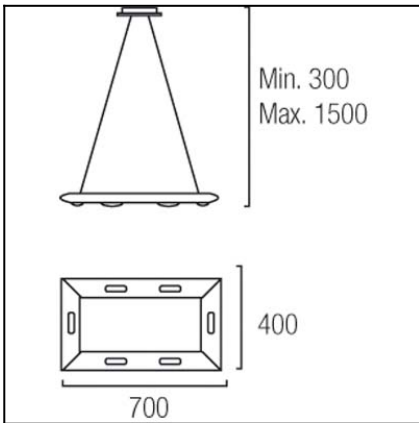


Design by Josep Patsí



The photograph may not match the reference exactly. Please read the product description to identify the finish.



Download photometric file .ldt / .ies

TECHNICAL CHARACTERISTICS

Type:	Pendant
IP Protection degrees:	IP20
Lampholder:	6 x G9
Power (W):	G9 MAX 75W
Bulb included:	6 x G9 60W
Total power consumption (W):	450
Voltage / Frequency:	220-240V/50-60Hz
Warranty (Years):	2
Units per box:	4
Net Weight (Kg):	2.2
EAN:	8435111033951,00



MATERIALS / FINISHES

Structure material: Aluminium

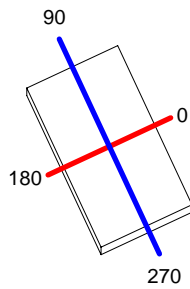
Diffuser material: Glass

Structure finish: Chrome

Diffuser finish: Tinted

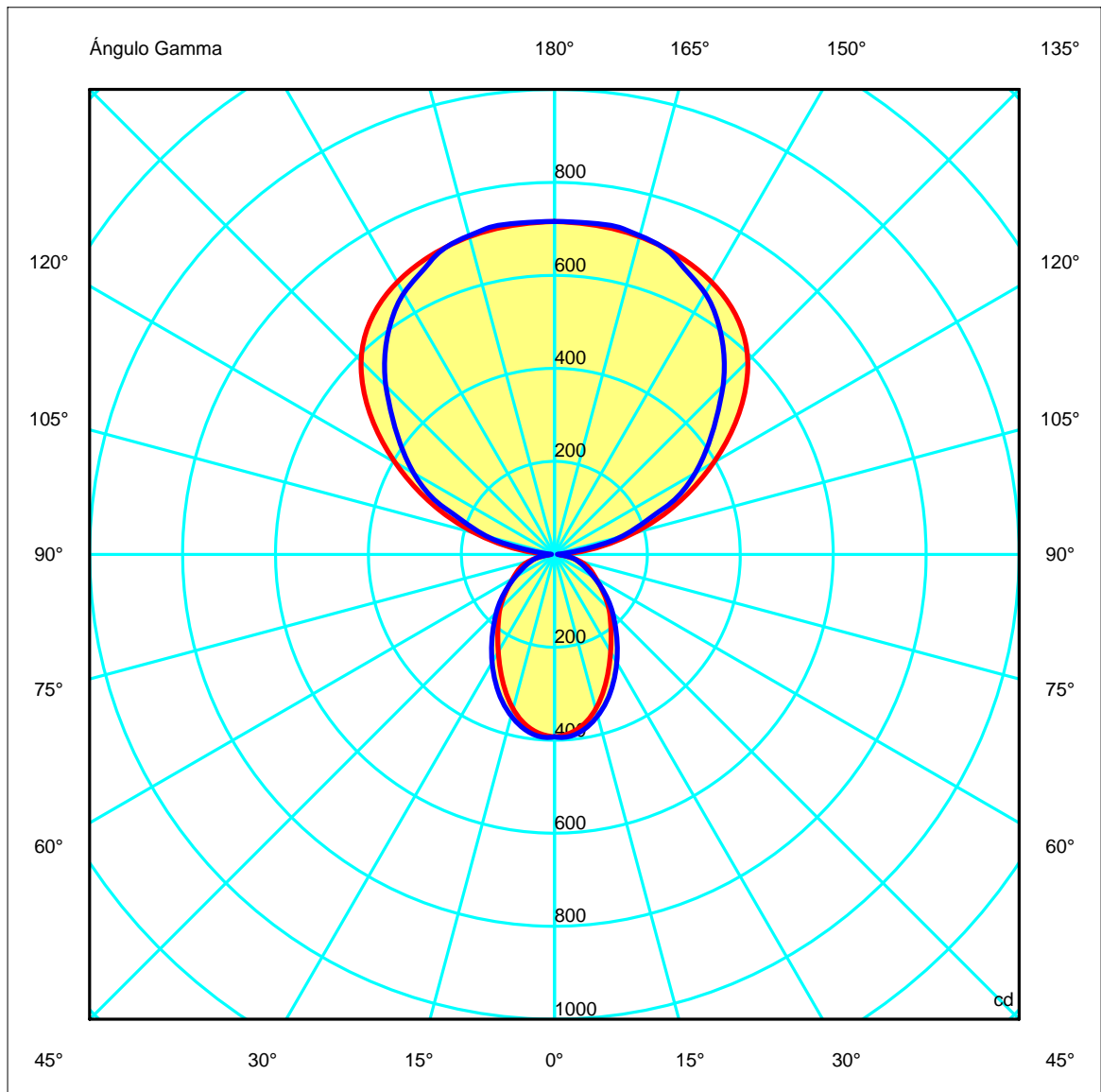
Luminaria		Ensayo		Lámpara	
Código	20-0536-21-F1	Código	20-0536-21-F1	Código	66675AM
Nombre	Colgante ADAGIO 6x75W G9 halog	Nombre	Colgante ADAGIO 6x75W G9 halog	Número	6
Familia	- LEDS-C4	Fecha	15-04-2010	Posición	Universal
Eficiencia	50.94%	Sist. de Coorden.	C-G	Flujo Total	6300.00 lm
Valor Máximo	718.22 cd	Posición	C=90.00 G=170.00		Asimétrico

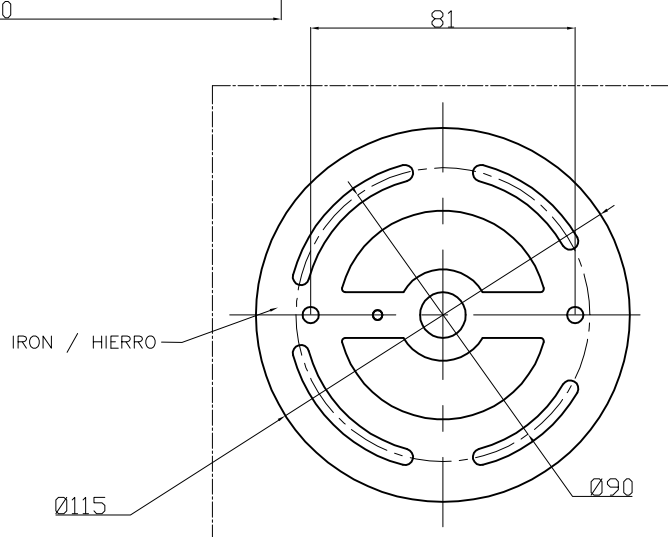
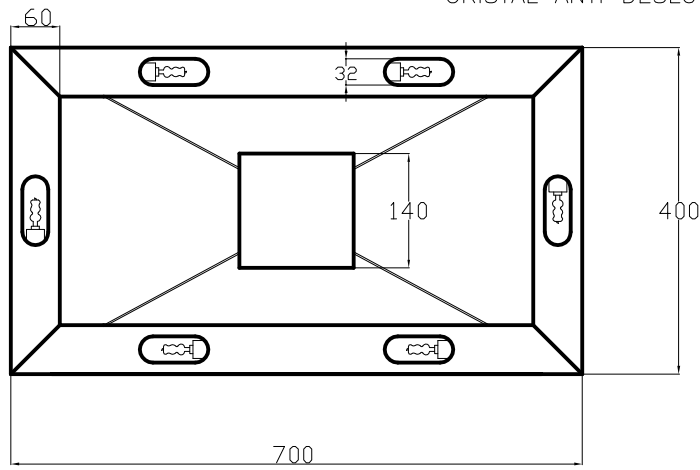
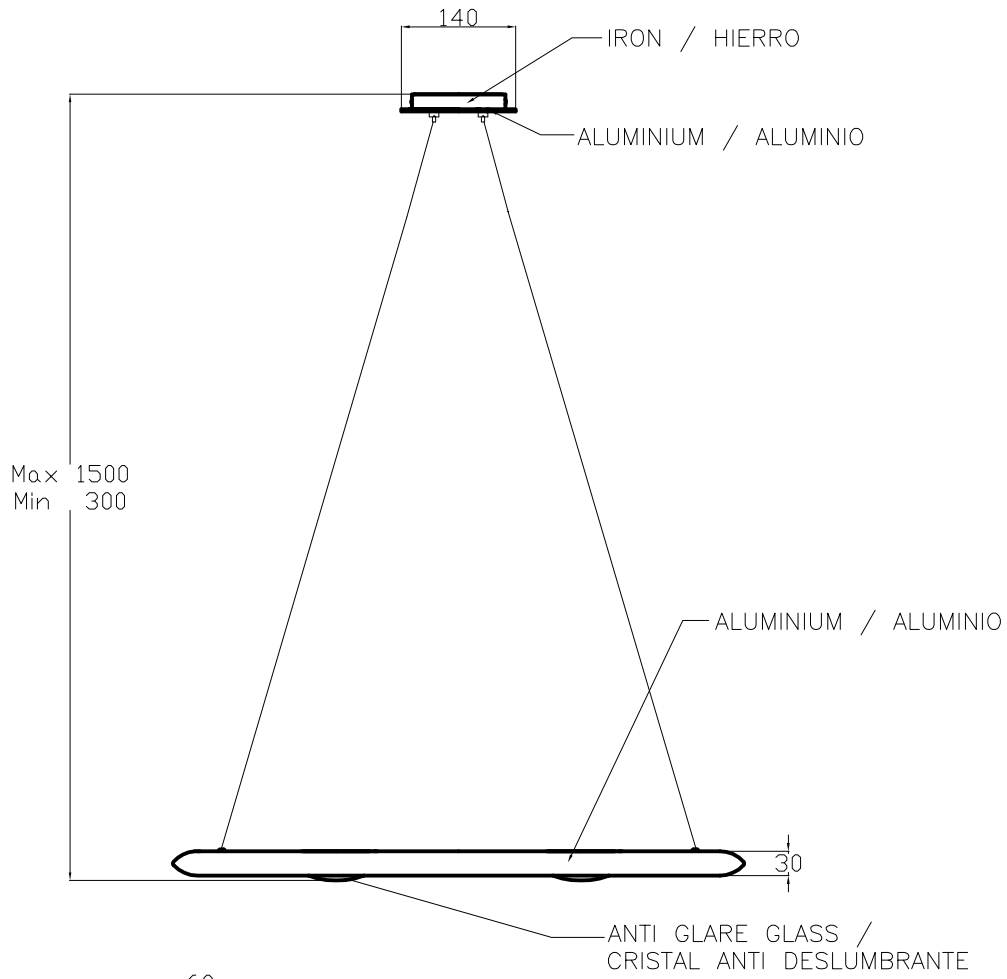
700mm x 400mm



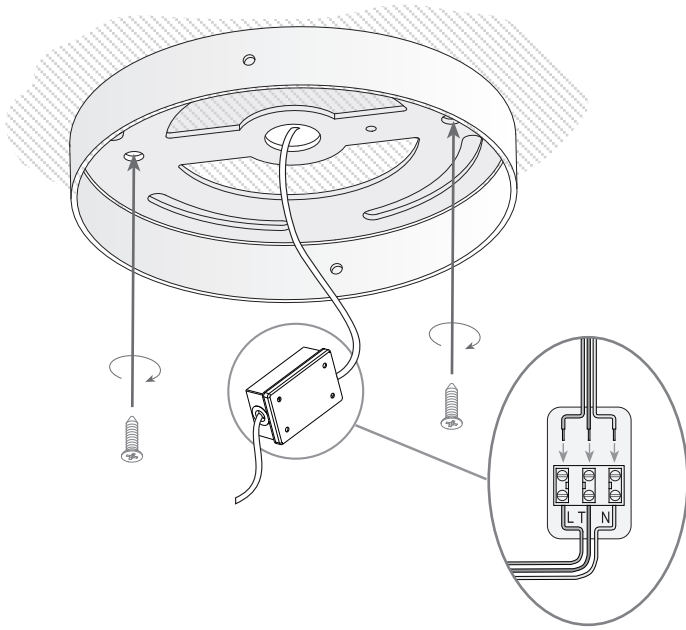
Semiplanos C

180.0 ——— 0.0
270.0 ——— 90.0

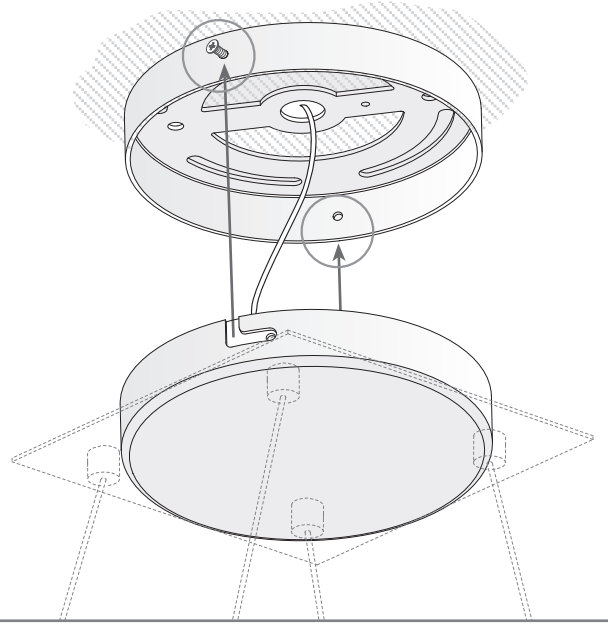




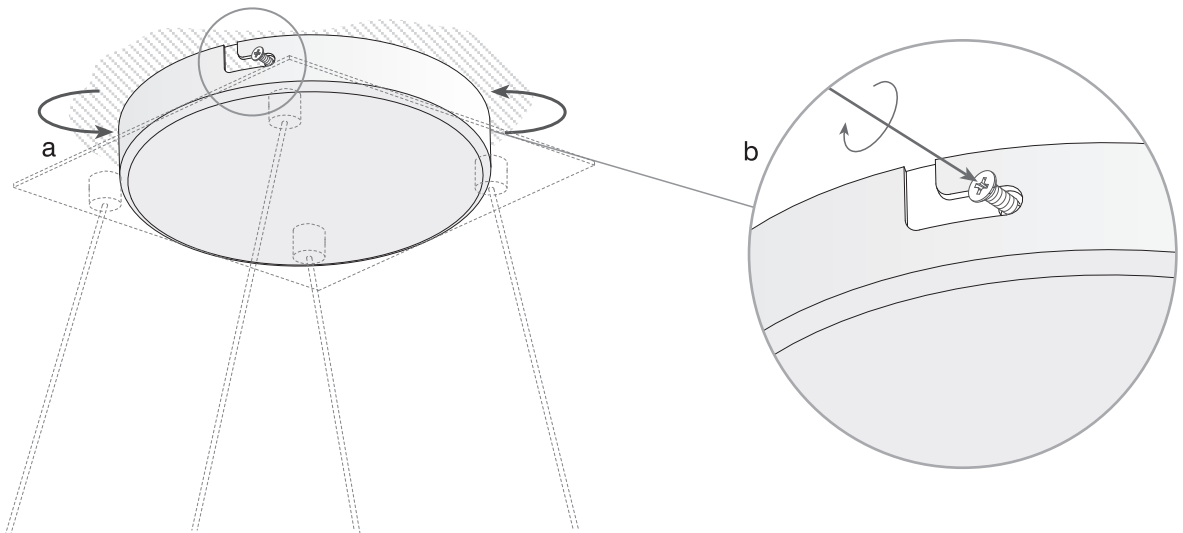
1



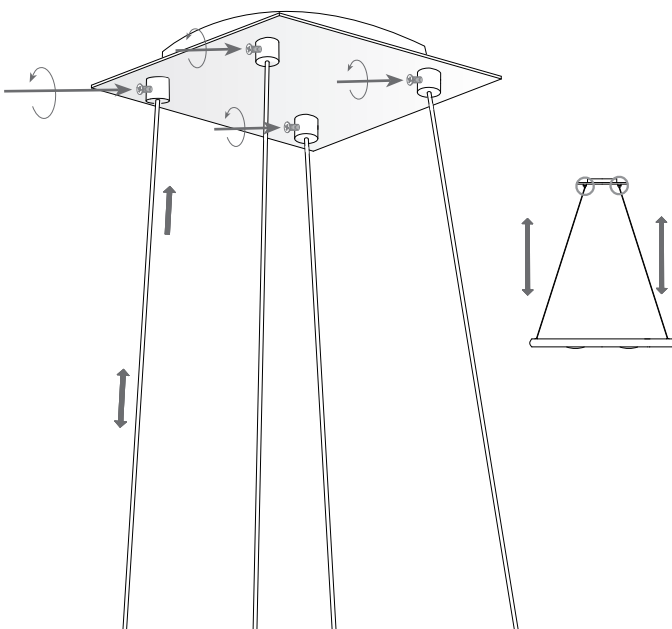
2



3



4



5

