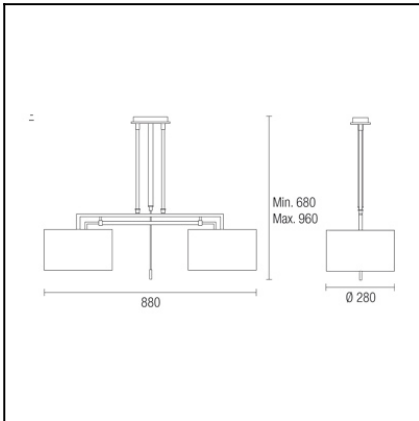




The photograph may not match the reference exactly. Please read the product description to identify the finish.



Download photometric file .ldt /.ies

TECHNICAL CHARACTERISTICS

Type:	Pendant
IP Protection degrees:	IP20
Lampholder:	2 x E27
Power (W):	E27 MAX 100W
Voltage / Frequency:	230V/50Hz
Units per box:	1
Net Weight (Kg):	2.055
EAN:	8435111041185



MATERIALS / FINISHES

Structure material:	Steel Wenge-colored finish	Diffuser material:	Fabric shade
Structure finish:	Chrome	Diffuser finish:	White

