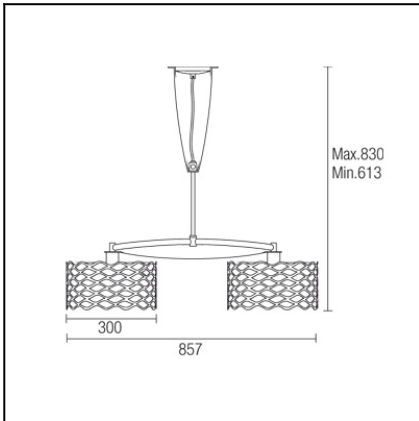




The photograph may not match the reference exactly. Please read the product description to identify the finish.



Download photometric file .ldt / .ies

TECHNICAL CHARACTERISTICS

Type:	Pendant
IP Protection degrees:	IP20
Lampholder:	2 x E27
Power (W):	E27 100w
Total power consumption (W):	200
Voltage / Frequency:	230-240V / 50-60Hz
Units per box:	1
Net Weight (Kg):	2.14
EAN:	8435111083130



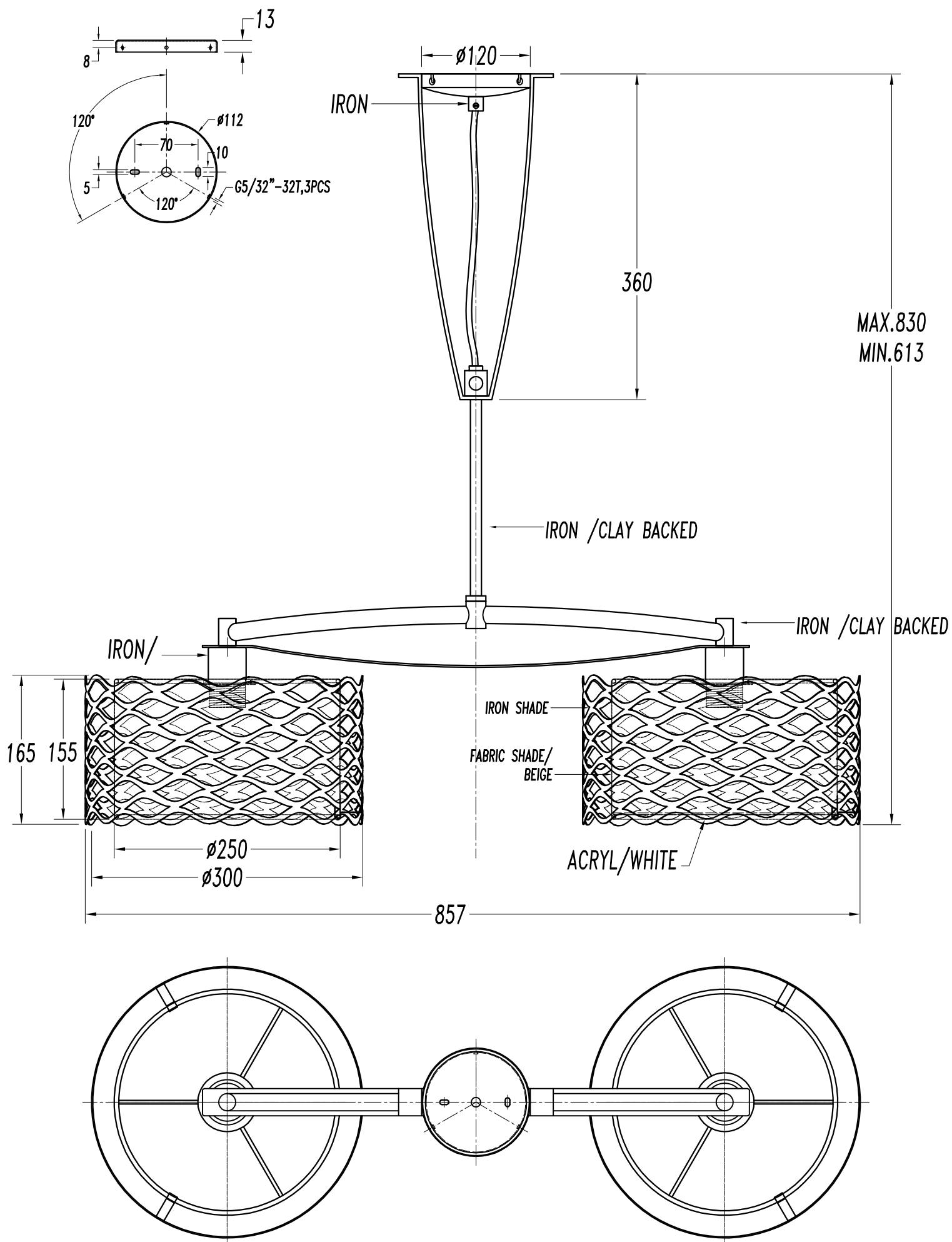
MATERIALS / FINISHES

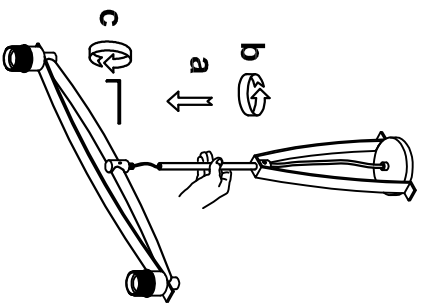
Structure material: Steel

Diffuser material: Fabric shade
Acrylic

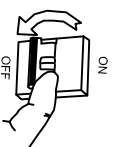
Structure finish: Oxide brown

Diffuser finish: Beige
Opal

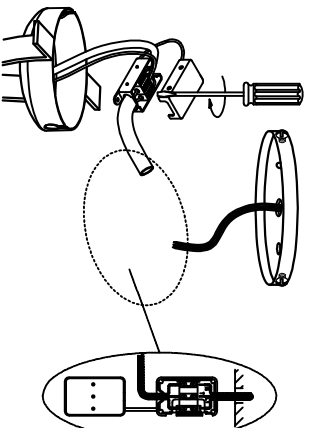
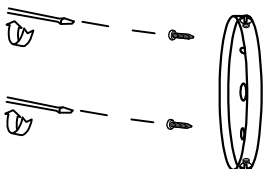




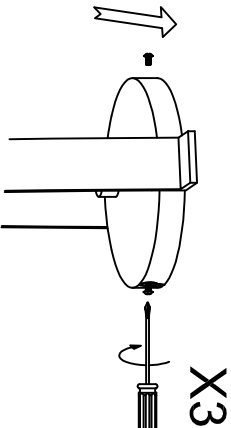
1



2

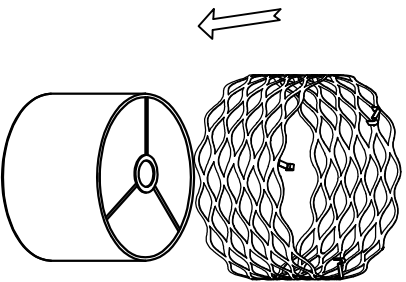


3



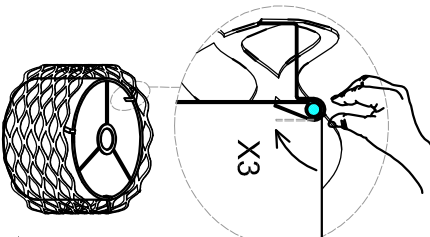
4

X3



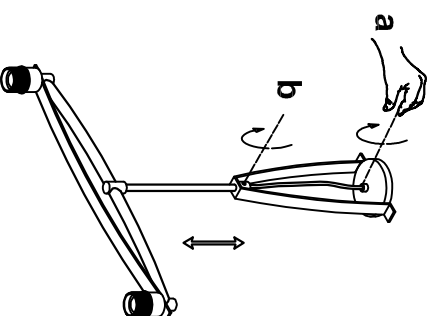
5

X2

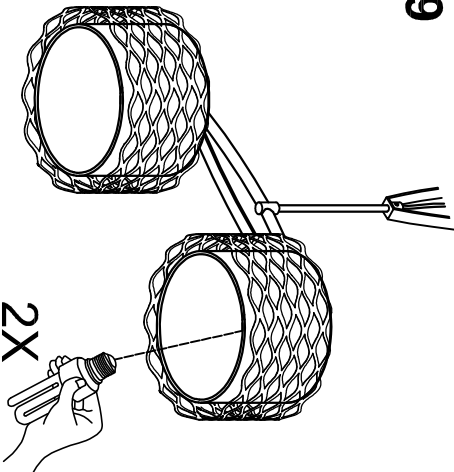


6

X2

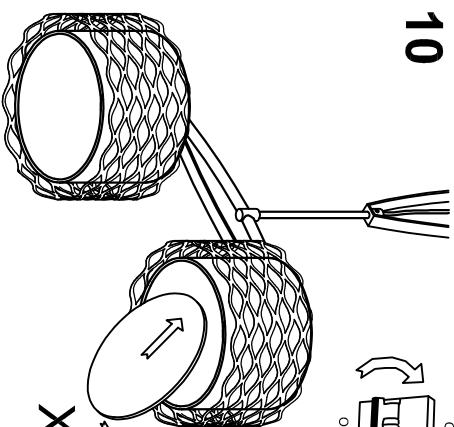


7



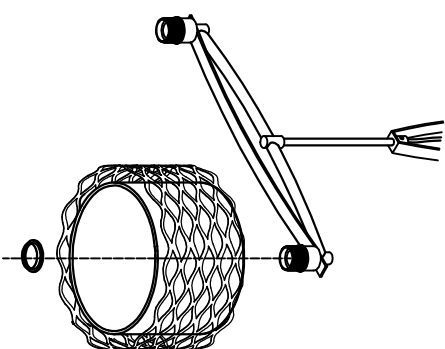
9

2X



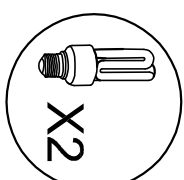
10

X2



8

X2



11

X2

