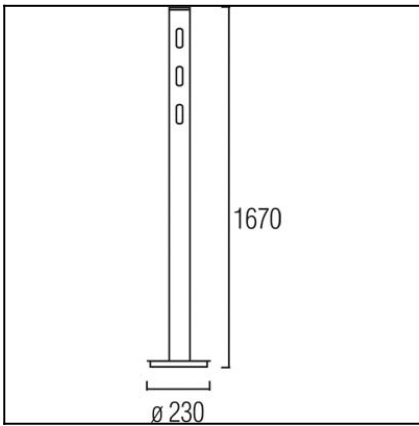


Design by Josep Patsí

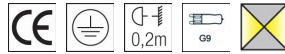


The photograph may not match the reference exactly. Please read the product description to identify the finish.



TECHNICAL CHARACTERISTICS

Type:	Floor lamp
IP Protection degrees:	IP20
Lampholder:	3 x G9
Power (W):	G9 MAX 75W
Bulb included:	3 x G9 60W
Voltage / Frequency:	220-240V/50-60Hz
Units per box:	1
Net Weight (Kg):	5
EAN:	8435111033975



MATERIALS / FINISHES

Structure material: Aluminium

Diffuser material: Glass

Structure finish: Chrome

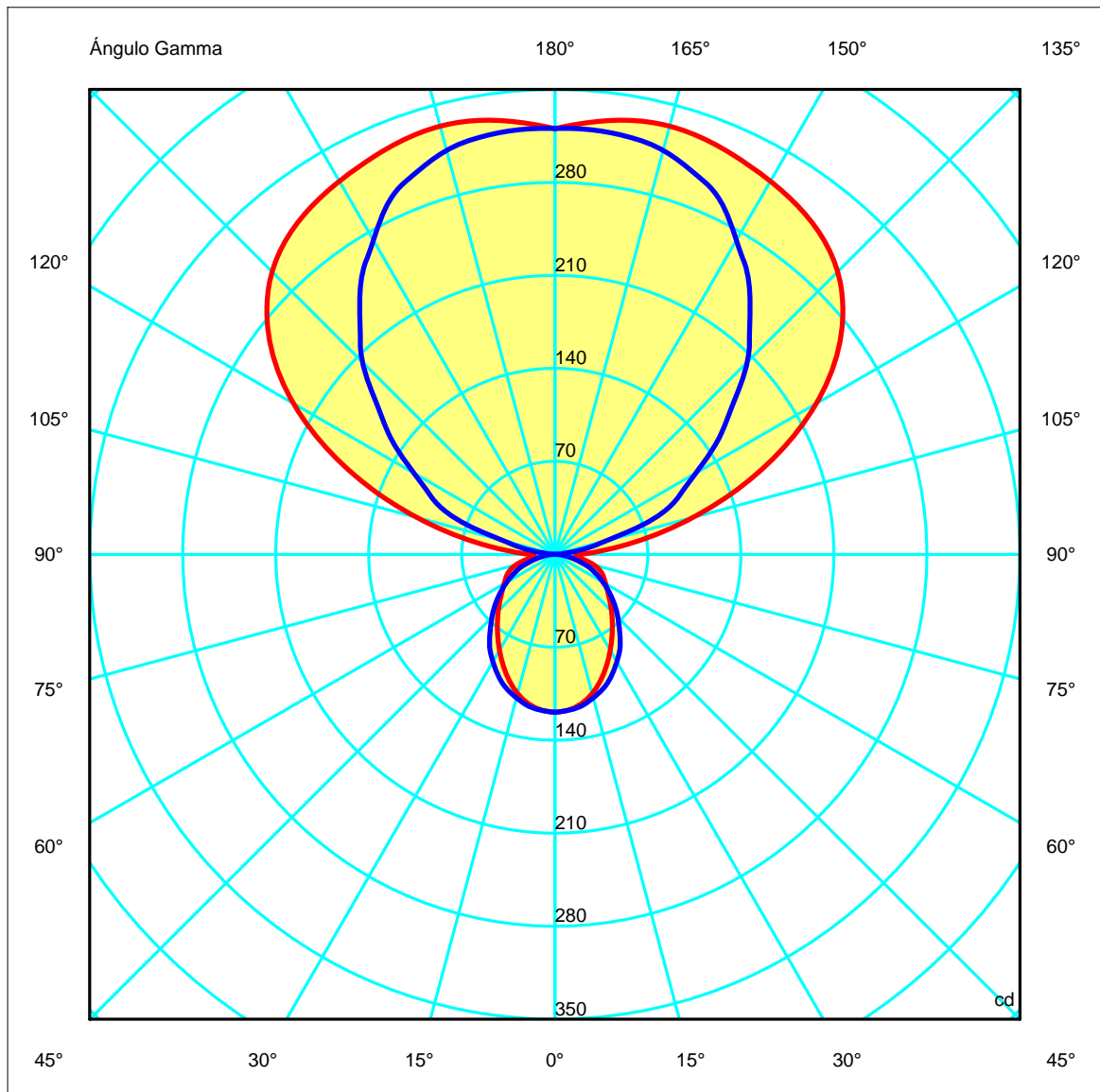
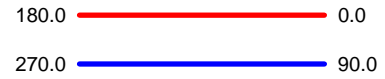
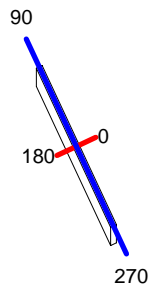
Diffuser finish: Tinted

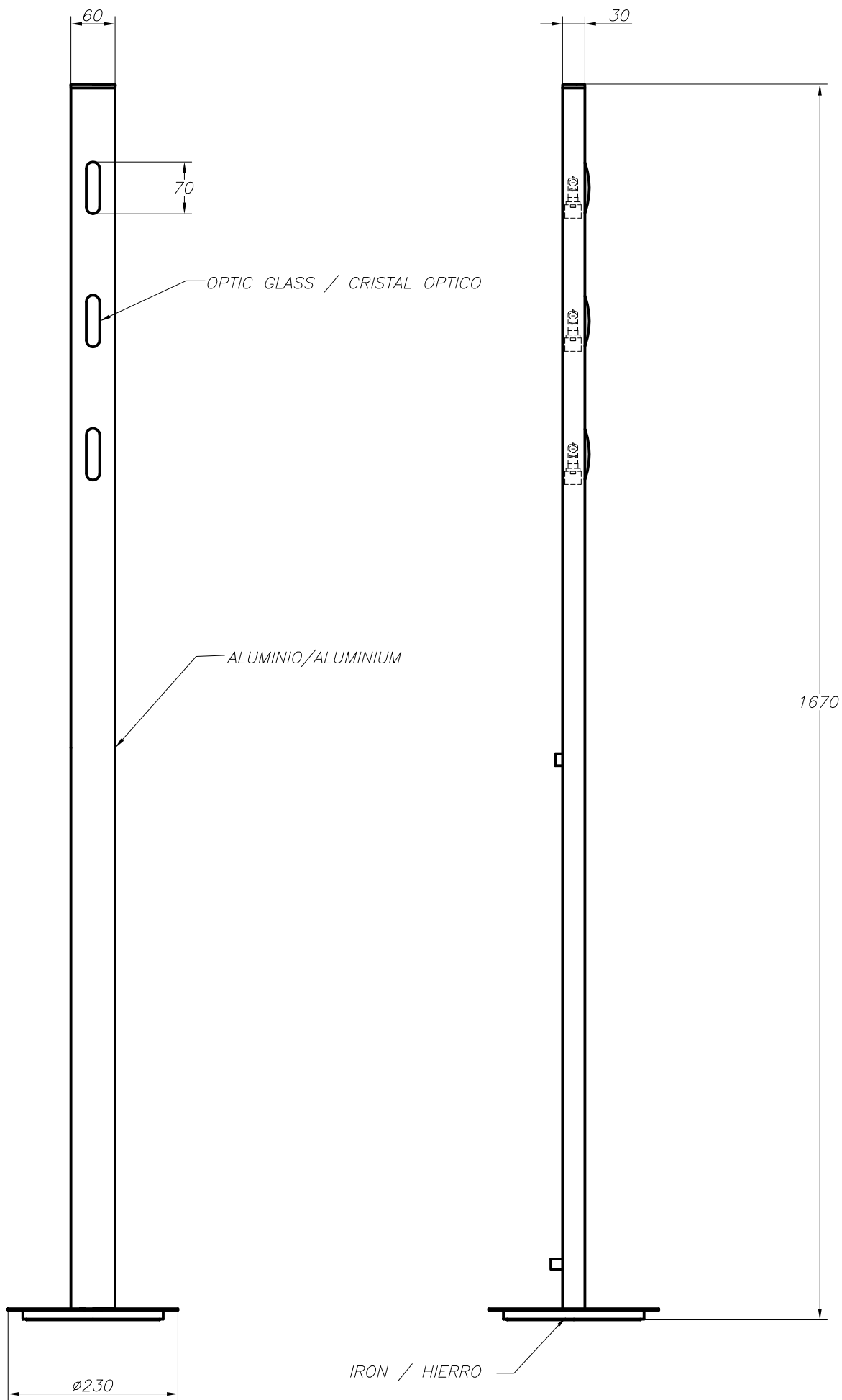
Download photometric file .ldt / .ies

Luminaria		Ensayo		Lámpara	
Código	25-0221-21-F1	Código	25-0221-21-F1	Código	66675AM
Nombre	Pie ADAGIO 3x75W G9 halogen	NombrePie	ADAGIO 8x75W G9 halogena	Número	3
Familia	- LEDS-C4	Fecha	15-04-2010	Posición	Universal
Eficiencia	46.18%	Sist. de Coorden.	C-G	Flujo Total	3150.00 lm
Valor Máximo	333.90 cd	Posición	C=0.00 G=165.00	Bisimétrico	

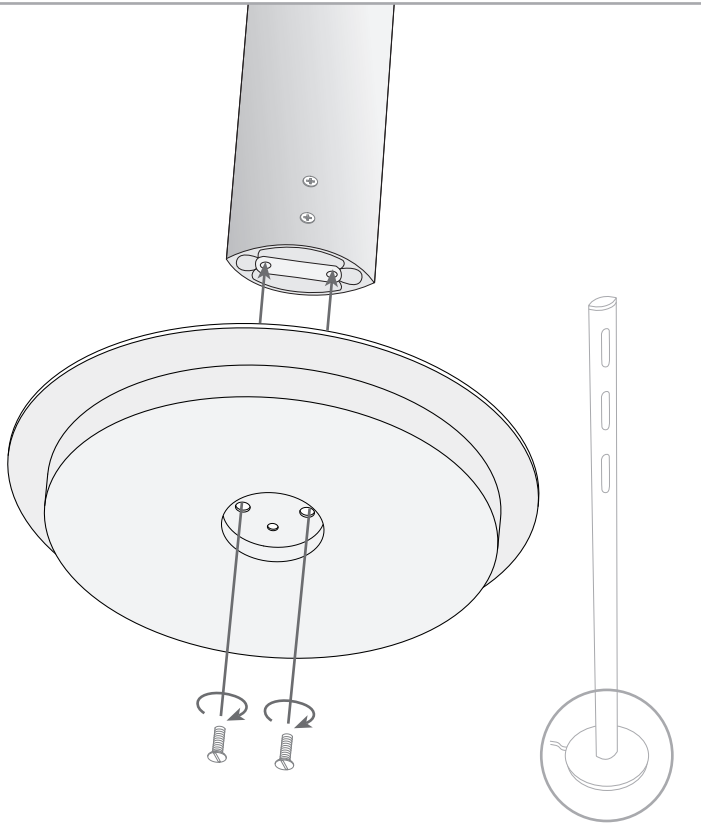
1660mm x 60mm

Semiplanos C

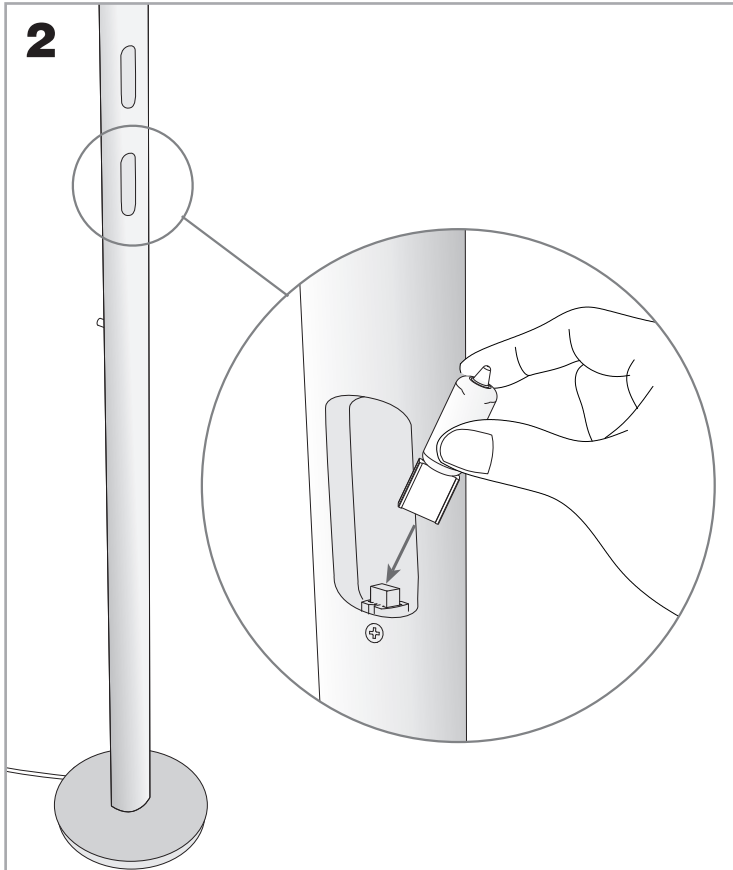




1



2



3

